



Chipsmall Limited consists of a professional team with an average of over 10 year of expertise in the distribution of electronic components. Based in Hongkong, we have already established firm and mutual-benefit business relationships with customers from,Europe,America and south Asia,supplying obsolete and hard-to-find components to meet their specific needs.

With the principle of "Quality Parts,Customers Priority,Honest Operation,and Considerate Service",our business mainly focus on the distribution of electronic components. Line cards we deal with include Microchip,ALPS,ROHM,Xilinx,Pulse,ON,Everlight and Freescale. Main products comprise IC,Modules,Potentiometer,IC Socket,Relay,Connector.Our parts cover such applications as commercial,industrial, and automotives areas.

We are looking forward to setting up business relationship with you and hope to provide you with the best service and solution. Let us make a better world for our industry!



Contact us

Tel: +86-755-8981 8866 Fax: +86-755-8427 6832

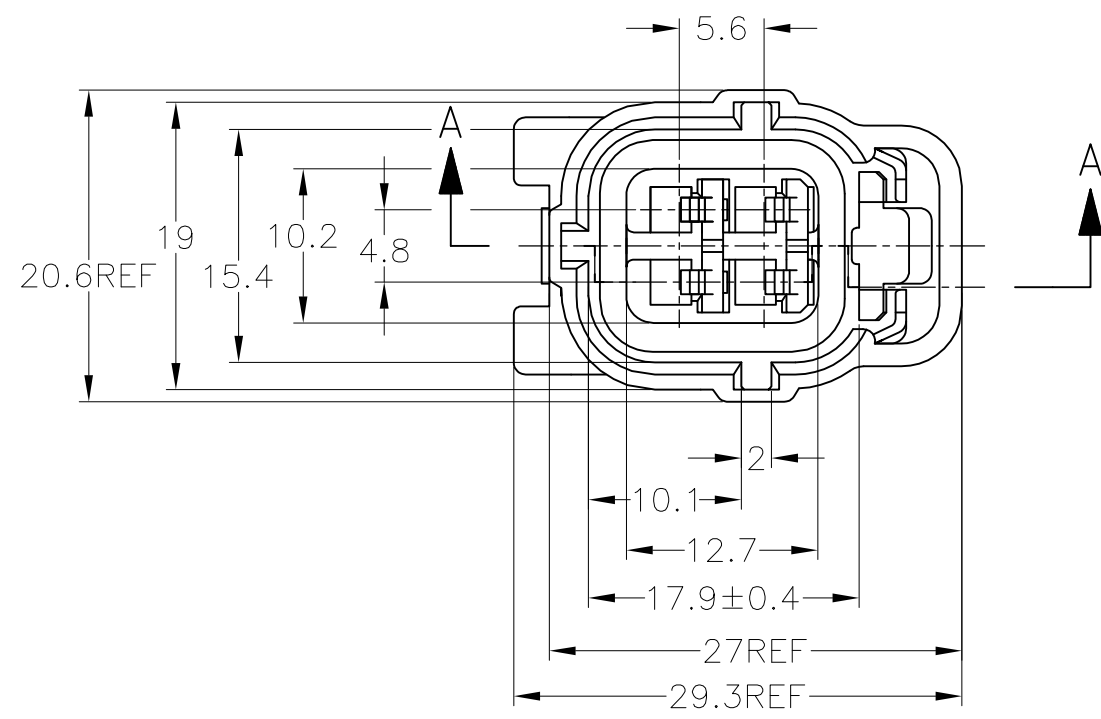
Email & Skype: info@chipsmall.com Web: www.chipsmall.com

Address: A1208, Overseas Decoration Building, #122 Zhenhua RD., Futian, Shenzhen, China

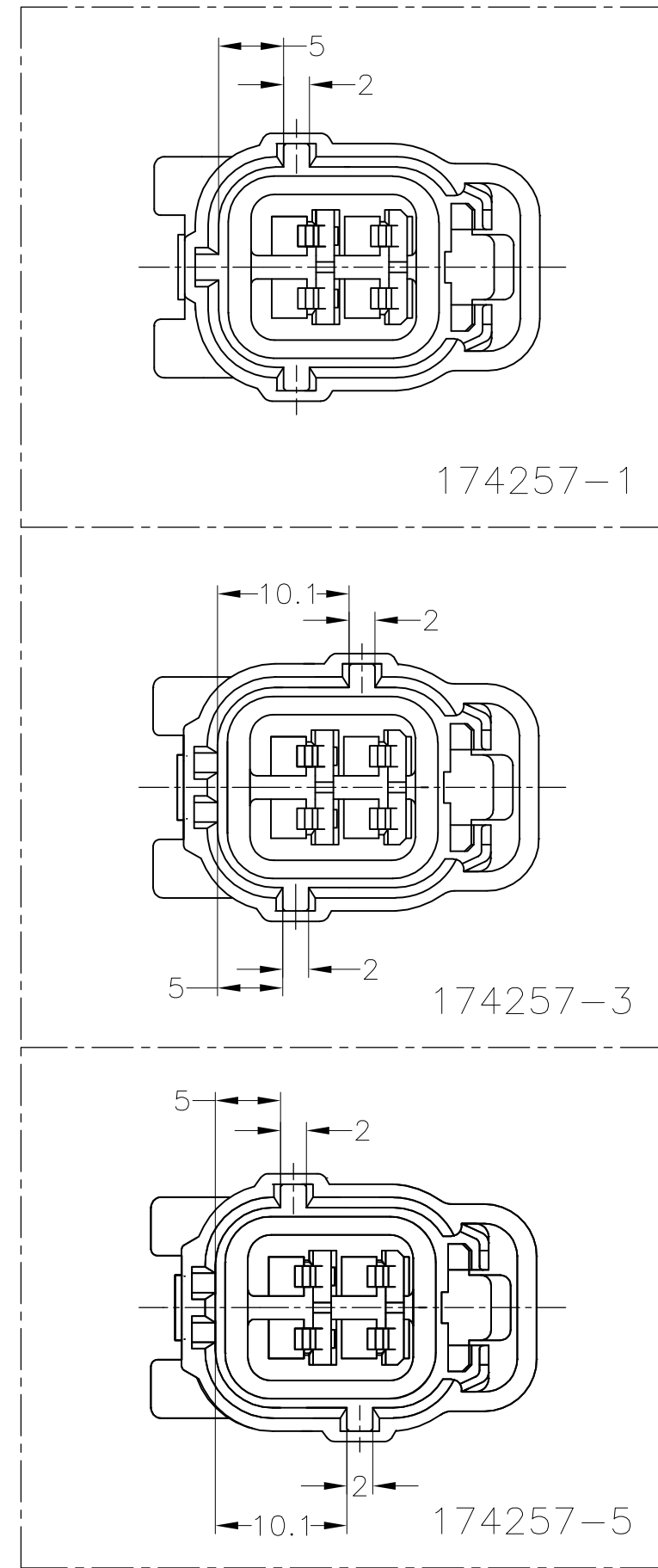
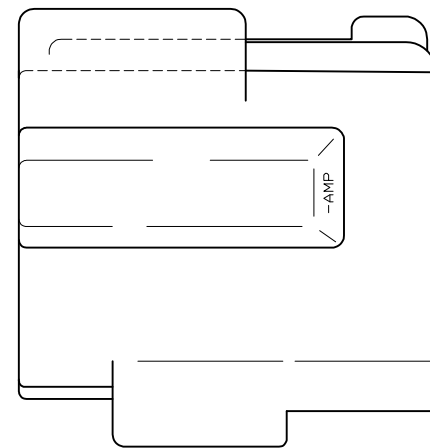
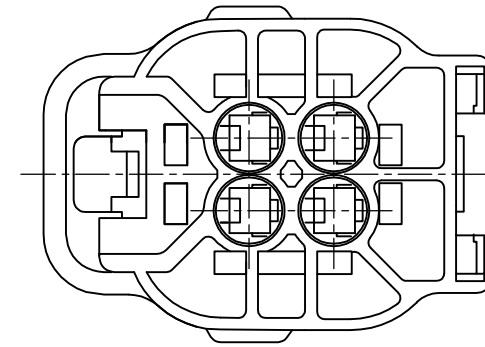
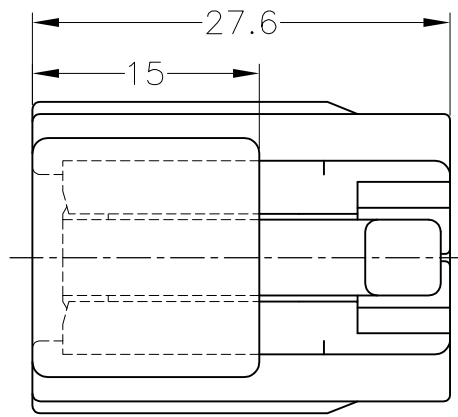
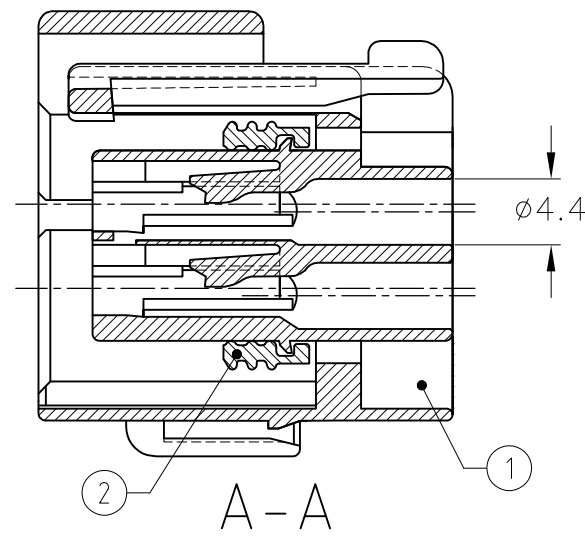


THIS DRAWING IS UNPUBLISHED. RELEASED FOR PUBLICATION
 © COPYRIGHT - By - ALL RIGHTS RESERVED.

LOC	DIST	REVISIONS				
		P	LTR	DATE	DWN	APVD
J	-	F1	REVISED PER ECO-11-005140	28MAR11	RK	HMR



174257-2, 1-174257-2



1. 嵌合相手型番: 174259, 173915
2. 本品はプラグハウジング単体にシールリングがアッセンブリされたものである。
3. 本品はダブルロックプレート型番 174258を装着して使用する。

1. FOR CAP HOUSING PN 174259, 173915
2. THIS PART IS COMPOSED OF PLUG HOUSING AND SEAL RING
3. THIS PART MUST BE USED WITH DOUBLE LOCK PLATE PN 174258

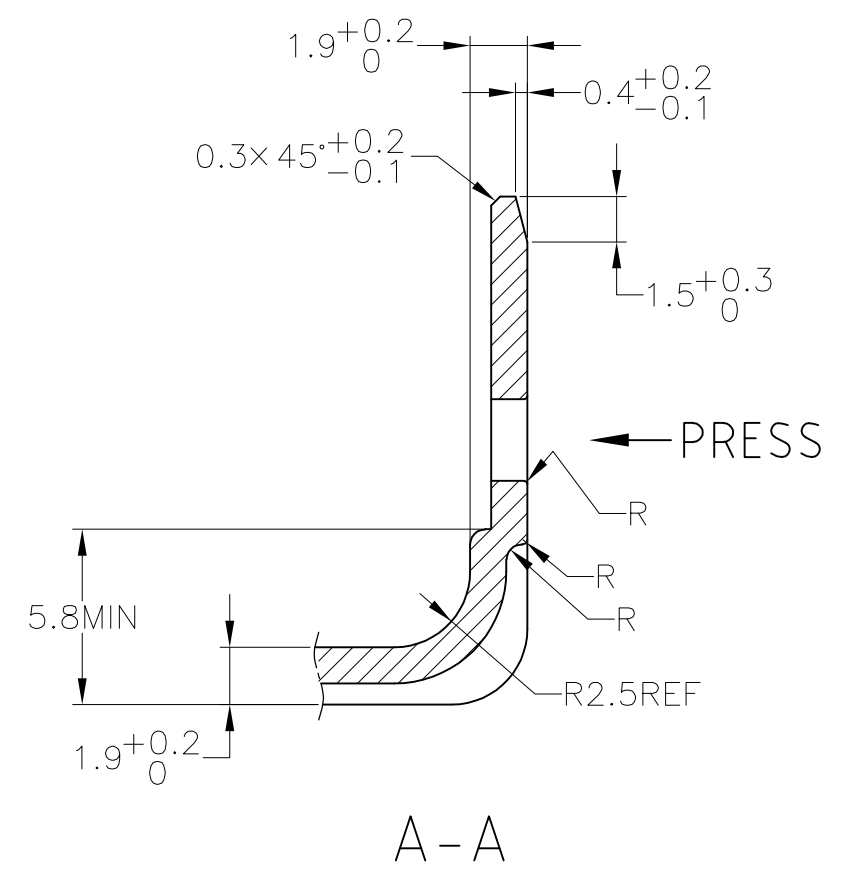
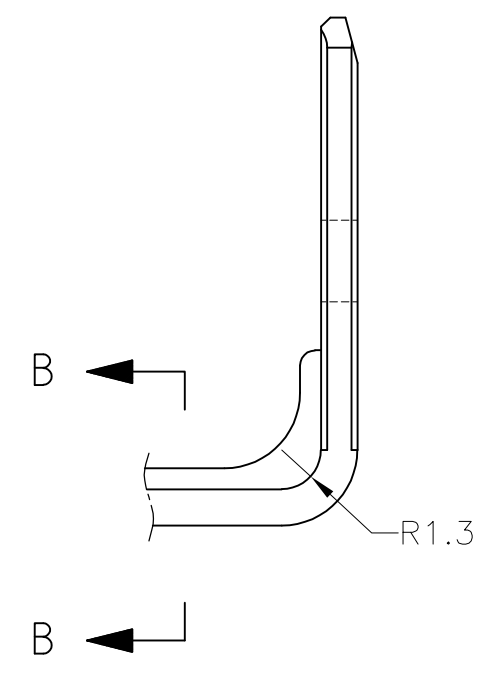
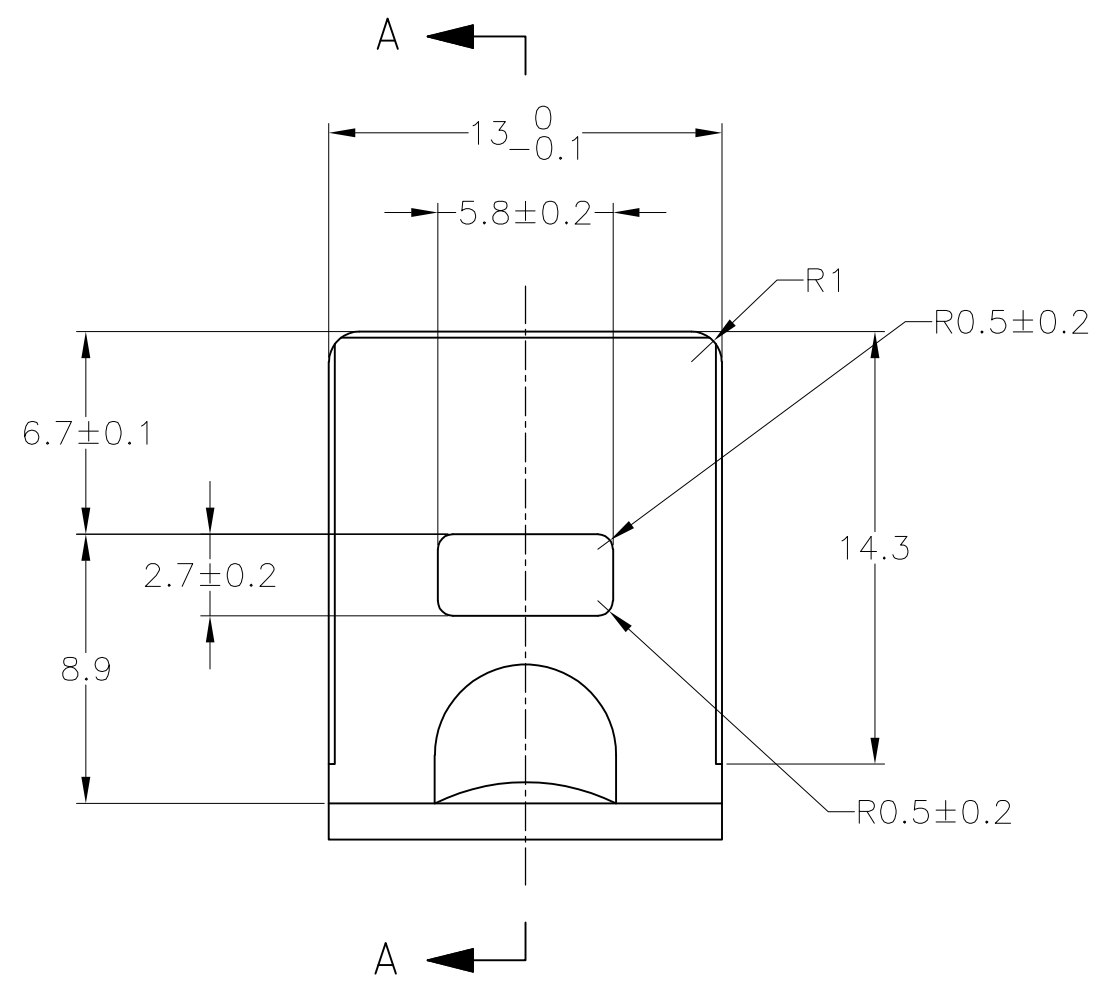
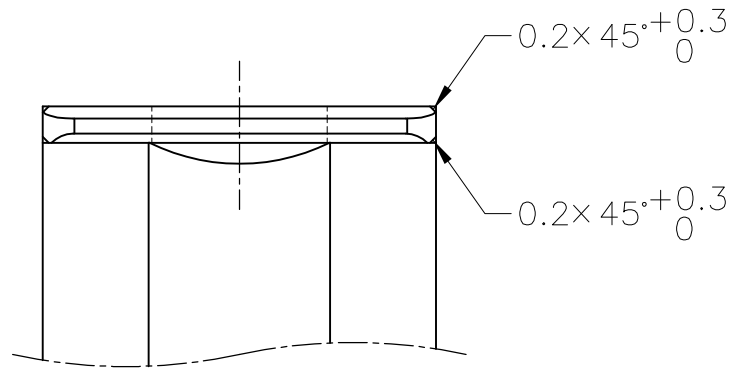
SUPERSEDED BY 174257-NTC		MATERIAL / COLOR	PART NUMBER
SILICON / BLACK	PBT / BROWN		174257-5
SILICON / BLACK	PBT / BLACK		174257-4
SILICON / BLACK	PBT / DARK GRAY		174257-3
NBR / GRAY	PBT / BLACK		1-174257-2
SILICON / BLACK	PBT / BLACK		174257-2
SILICON / BLACK	PBT / GRAY		174257-1
② SEAL RING	① PLUG HOUSING		

THIS DRAWING IS A CONTROLLED DOCUMENT.		DWN T.SHINOHARA 09FEB04	TE Connectivity	
DIMENSIONS: 単位: 純 mm		CHK K.BETSUI 09FEB04	NAME 4Pos. ECONOSEAL J-MARKII+ CONNECTOR PLUG HOUSING	
TOLERANCES UNLESS OTHERWISE SPECIFIED: 一般公差		APVD K.BETSUI 09FEB04	DRAWING NO. 174257	
0 < x ≤ 10 : ± 0.2		PRODUCT SPEC 製品規格 108-5262	SIZE A2	CAGE CODE 00779
10 < x ≤ 30 : ± 0.25		APPLICATION SPEC 取付適用規格 114-5082	DRAWING NO. 番号 C=174257	RESTRICTED TO -
30 < x ≤ 100 : ± 0.3		MATERIAL 材料 SEE TABLE	WEIGHT 7.9g	SCALE 2:1
ANGLE : ±3° 角度		FINISH 仕上 -	CUSTOMER DRAWING	SHEET 1 of 2 REV F1

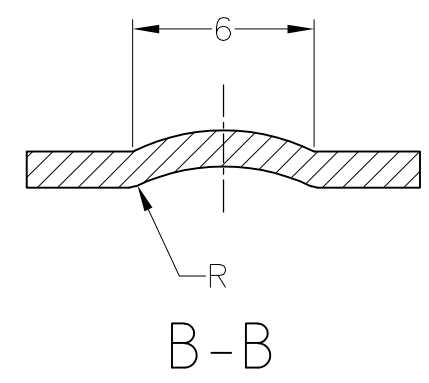
THIS DRAWING IS UNPUBLISHED. RELEASED FOR PUBLICATION
 © COPYRIGHT - By - ALL RIGHTS RESERVED.

LOC	DIST	REVISIONS					
J	-	P	LTR	DESCRIPTION	DATE	DWN	APVD
		-		SEE SHEET 1	-	-	-

ブラケット推奨寸法図
 RECOMMENDED DIMENSION OF BRACKET




t = 1.2 ± 0.08



TOLERANCE UNLESS OTHERWISE SPECIFIED: 一般公差

0 < x ≤ 10	: ±0.2
10 < x ≤ 30	: ±0.25
30 < x ≤ 100	: ±0.3
ANGLE ; 角度	: ±3°

THIS DRAWING IS A CONTROLLED DOCUMENT.		DWN T.SHINOHARA	09FEB04	 TE Connectivity	
DIMENSIONS: 単位: 耗 mm		CHK K.BETSUI	09FEB04		
TOLERANCES UNLESS OTHERWISE SPECIFIED: 一般公差		APVD K.BETSUI	09FEB04	NAME 名称 4Pos. ECONOSEAL J-MARKII+ CONNECTOR PLUG HOUSING	
0 PLC ± - 1 PLC ± - 2 PLC ± - 3 PLC ± - 4 PLC ± - ANGLES ± -		PRODUCT SPEC 製品規格		SIZE A3	
MATERIAL 材料		APPLICATION SPEC 取付適用規格		CAGE CODE 00779	
FINISH 仕上		WEIGHT		DRAWING NO 番号 C-174257	
		CUSTOMER DRAWING		RESTRICTED TO -	
		SCALE 尺度 4:1		SHEET 2 OF 2	
				REV F1	