



Chipsmall Limited consists of a professional team with an average of over 10 year of expertise in the distribution of electronic components. Based in Hongkong, we have already established firm and mutual-benefit business relationships with customers from,Europe,America and south Asia,supplying obsolete and hard-to-find components to meet their specific needs.

With the principle of “Quality Parts,Customers Priority,Honest Operation,and Considerate Service”,our business mainly focus on the distribution of electronic components. Line cards we deal with include Microchip,ALPS,ROHM,Xilinx,Pulse,ON,Everlight and Freescale. Main products comprise IC,Modules,Potentiometer,IC Socket,Relay,Connector.Our parts cover such applications as commercial,industrial, and automotives areas.

We are looking forward to setting up business relationship with you and hope to provide you with the best service and solution. Let us make a better world for our industry!



Contact us

Tel: +86-755-8981 8866 Fax: +86-755-8427 6832

Email & Skype: info@chipsmall.com Web: www.chipsmall.com

Address: A1208, Overseas Decoration Building, #122 Zhenhua RD., Futian, Shenzhen, China



THIS DRAWING IS UNPUBLISHED.

RELEASED FOR PUBLICATION

LOC

DIST

REVISIONS

© COPYRIGHT - By -

ALL RIGHTS RESERVED.

AF

50

P

LTR

DESCRIPTION

DATE

DWN

APVD

B

REVISED PER ECR-12-013518

26NOV2012

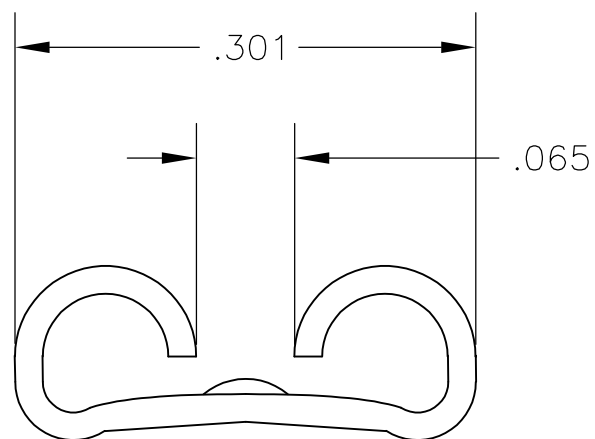
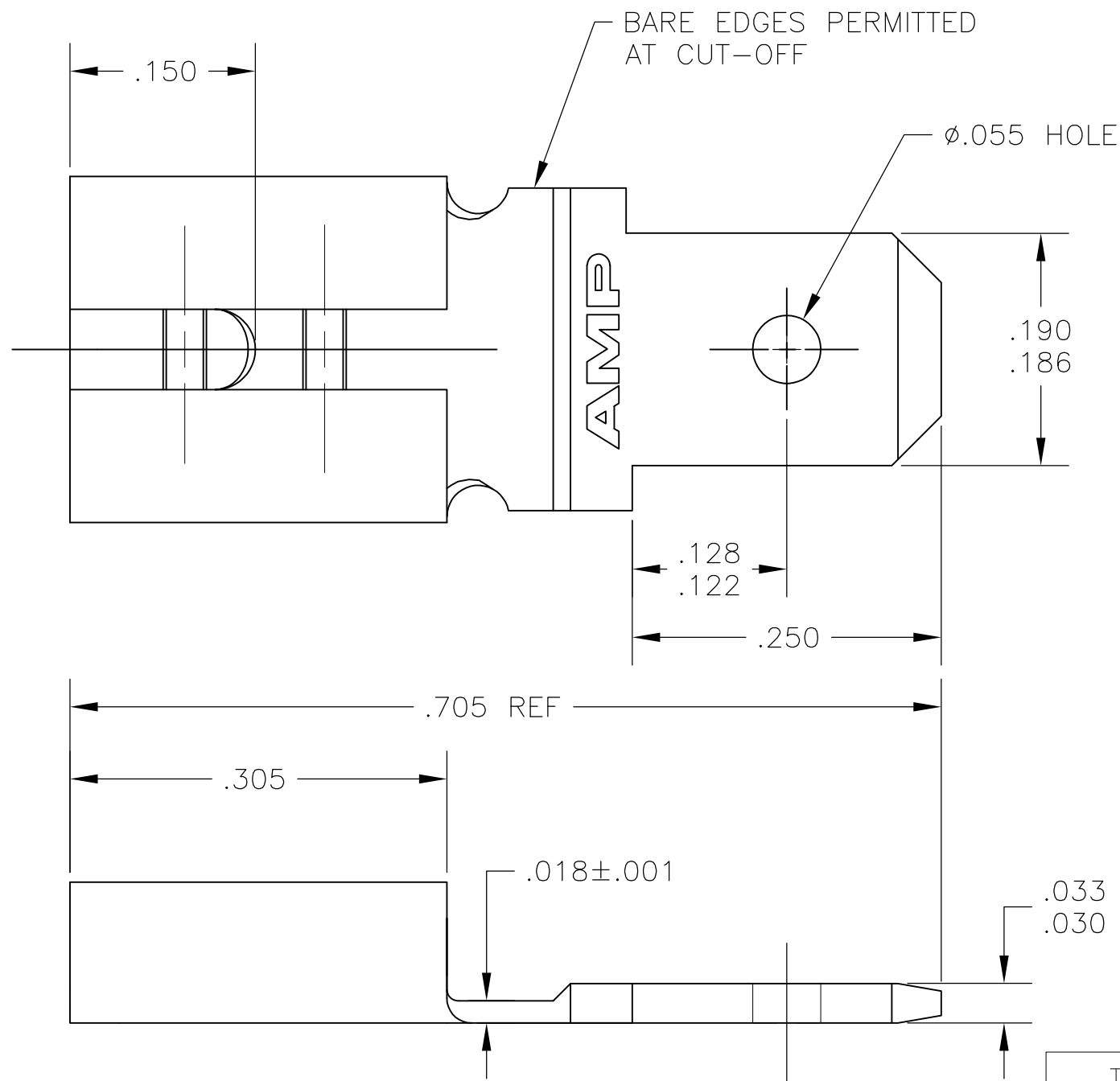
KH

PD

1 SUPPLIED IN LOOSE PIECE

2 MATING TAB THK IS $.032 \pm .001$

3 PRELIMINARY - NOT FOR PRODUCTION



TIN PLATED	3 1742597-2
---	1742597-1
FINISH	PART NO

THIS DRAWING IS A CONTROLLED DOCUMENT.		DWN	JR RUTH	11MAY07	STE TE Connectivity		
DIMENSIONS: INCHES		CHK	P DESANTIS	11MAY07			
TOLERANCES UNLESS OTHERWISE SPECIFIED:		APVD	P DESANTIS	11MAY07	NAME		
0 PLC ± -		PRODUCT SPEC		ADAPTER, FASTON, .250 SERIES RECPT WITH A .187 SERIES TAB			
1 PLC ± -		APPLICATION SPEC		-			
2 PLC ± -		SIZE	A3	CAGE CODE	00779	DRAWING NO	C-1742597
3 PLC ± .010		WEIGHT		-		RESTRICTED TO	-
4 PLC ± -		CUSTOMER DRAWING					
ANGLES ± 1°		SCALE		8:1		SHEET	1 OF 1
FINISH		-		REV		B	
MATERIAL		BRASS		-		-	