



Chipsmall Limited consists of a professional team with an average of over 10 year of expertise in the distribution of electronic components. Based in Hongkong, we have already established firm and mutual-benefit business relationships with customers from,Europe,America and south Asia,supplying obsolete and hard-to-find components to meet their specific needs.

With the principle of "Quality Parts,Customers Priority,Honest Operation,and Considerate Service",our business mainly focus on the distribution of electronic components. Line cards we deal with include Microchip,ALPS,ROHM,Xilinx,Pulse,ON,Everlight and Freescale. Main products comprise IC,Modules,Potentiometer,IC Socket,Relay,Connector.Our parts cover such applications as commercial,industrial, and automotives areas.

We are looking forward to setting up business relationship with you and hope to provide you with the best service and solution. Let us make a better world for our industry!



## Contact us

Tel: +86-755-8981 8866 Fax: +86-755-8427 6832

Email & Skype: info@chipsmall.com Web: www.chipsmall.com

Address: A1208, Overseas Decoration Building, #122 Zhenhua RD., Futian, Shenzhen, China



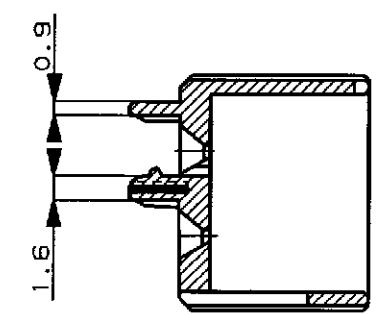
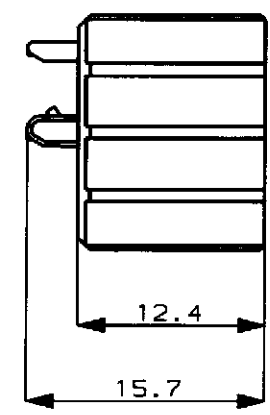
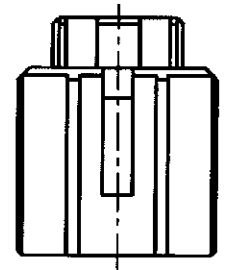
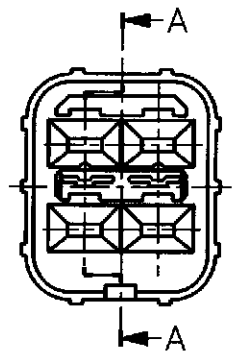
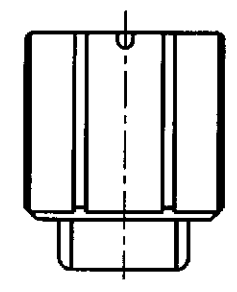
/auto2/new/u.098-0026 J. customer/s.c-174260

NUMBER C-174260

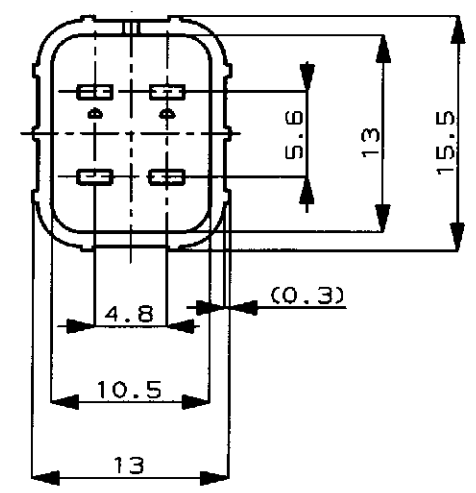


METRIC

DIMENSIONS IN MILLIMETERS. DO NOT SCALE PRINT



SECT 断面 A-A



注：  
1. 本品は、キャップハウジング P/N 174259 に装着される。

NOTE：  
1. TO BE MATED WITH CAP HOUSING P/N 174259

PBT	(NATURAL) 自然色	1-174260-1
PBT, 難燃材	(YELLOW) 黄	174260-7
MATERIAL 材料	HOUSING COLOR ハウジング色	P/N

© 19 BY AMP (Japan) LTD.  
ALL RIGHTS RESERVED.  
AMP PRODUCTS COVERED BY PATENTS  
AND OR PATENTS PENDING

**AMP** AMP (JAPAN), LTD.  
Tokyo, Japan

B	REVISED	FJ00-0501-98	AY NB	3/14/98
A	ADDED	FJ00-3794-95	MT AT	12/12/95
0	作成	RELEASED J-9751	T.S.Y.M	5/26/89
LTR	REVISION RECORD	DR	CHK	DATE

WIRE RANGE	INSULATION DIA
mm <sup>2</sup> (AWG)	mm $\phi$
MATERIAL	COLOR
SEE TABLE 表参照	SEE TABLE 表参照
DR. T. SAGAWA	DE. K. Oda
5/16/89	5/16/89
CHK. M. Matsushita	APP. M. Souchi
5/26/89	5/31/89

NAME 4P. ECONOSEAL J-MARK II <sup>+</sup> CONNECTOR 4極 エコノシール J マーク II <sup>+</sup> DOUBLE LOCK PLATE FOR CAP HOUSING キャップ用 ダブルロックプレート			
GENERAL TOLERANCE	SIZE	LOC	NUMBER
0<*< 10 : ±0.2 10<*< 30 : ±0.25 30<*< 100 : ±0.3 ANGLES : ±3°	A3	J	C-174260
SCALE	REV.	SHEET	
2-1	B	1 OF 1	

PRINT DIST

AMP-J REV. 10/83 F1029188

CUSTOMER DRAWING