



Chipsmall Limited consists of a professional team with an average of over 10 year of expertise in the distribution of electronic components. Based in Hongkong, we have already established firm and mutual-benefit business relationships with customers from,Europe,America and south Asia,supplying obsolete and hard-to-find components to meet their specific needs.

With the principle of “Quality Parts,Customers Priority,Honest Operation,and Considerate Service”,our business mainly focus on the distribution of electronic components. Line cards we deal with include Microchip,ALPS,ROHM,Xilinx,Pulse,ON,Everlight and Freescale. Main products comprise IC,Modules,Potentiometer,IC Socket,Relay,Connector.Our parts cover such applications as commercial,industrial, and automotives areas.

We are looking forward to setting up business relationship with you and hope to provide you with the best service and solution. Let us make a better world for our industry!



## Contact us

Tel: +86-755-8981 8866 Fax: +86-755-8427 6832

Email & Skype: info@chipsmall.com Web: www.chipsmall.com

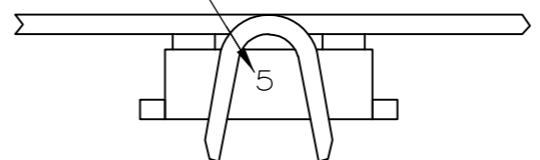
Address: A1208, Overseas Decoration Building, #122 Zhenhua RD., Futian, Shenzhen, China



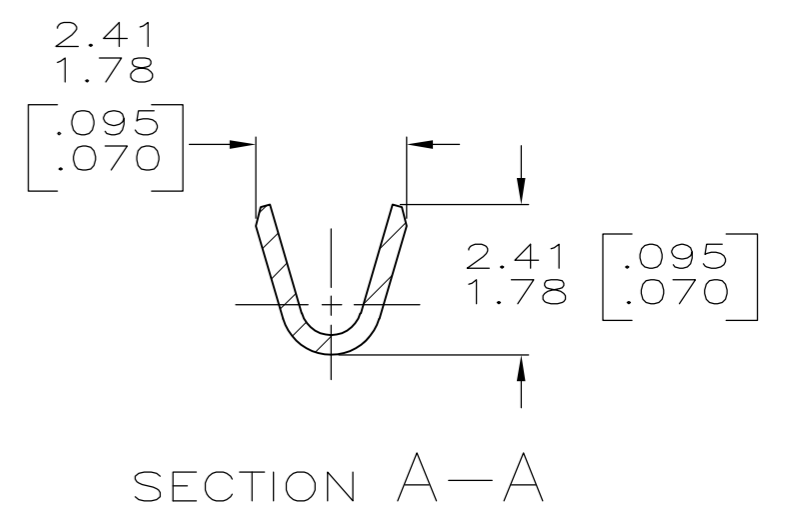
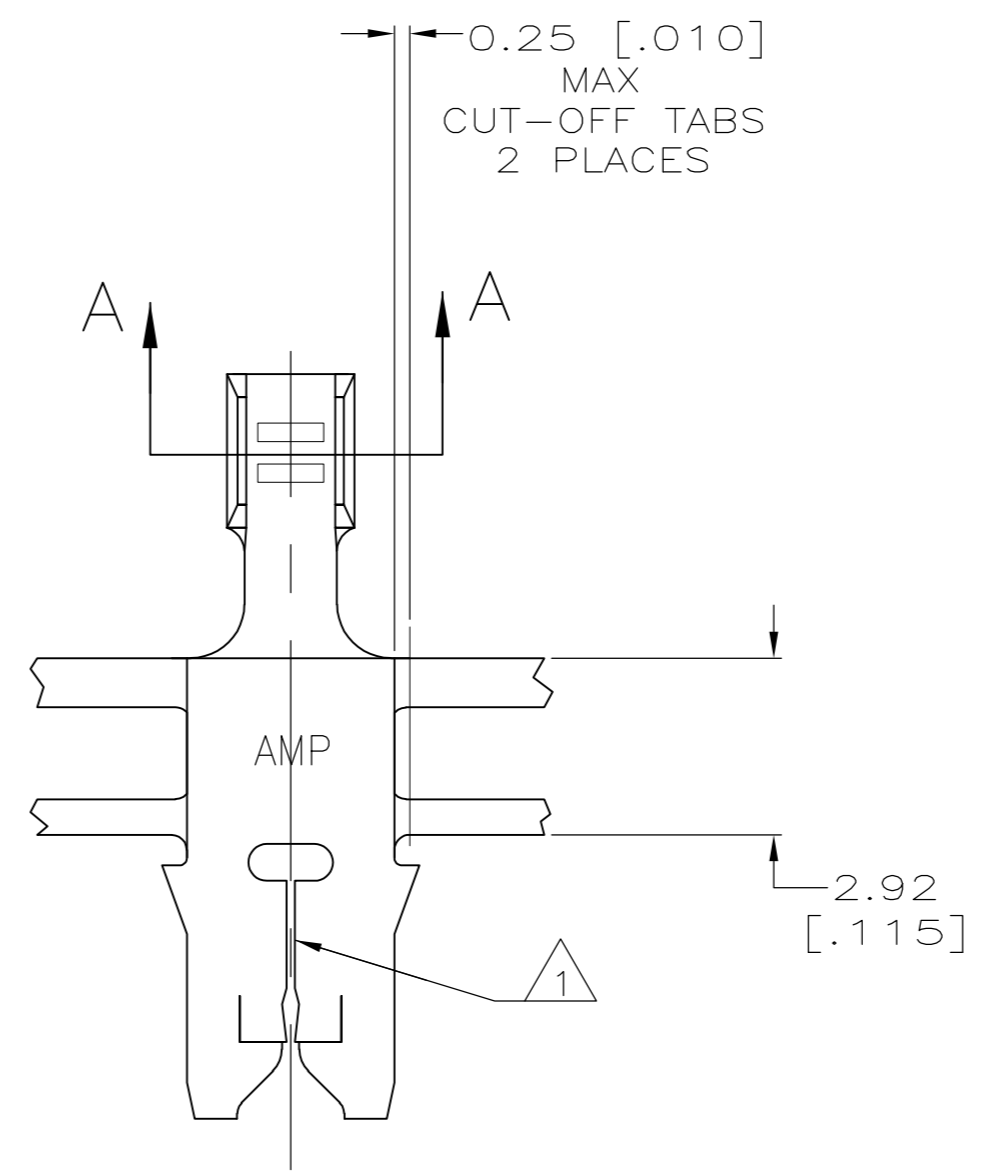
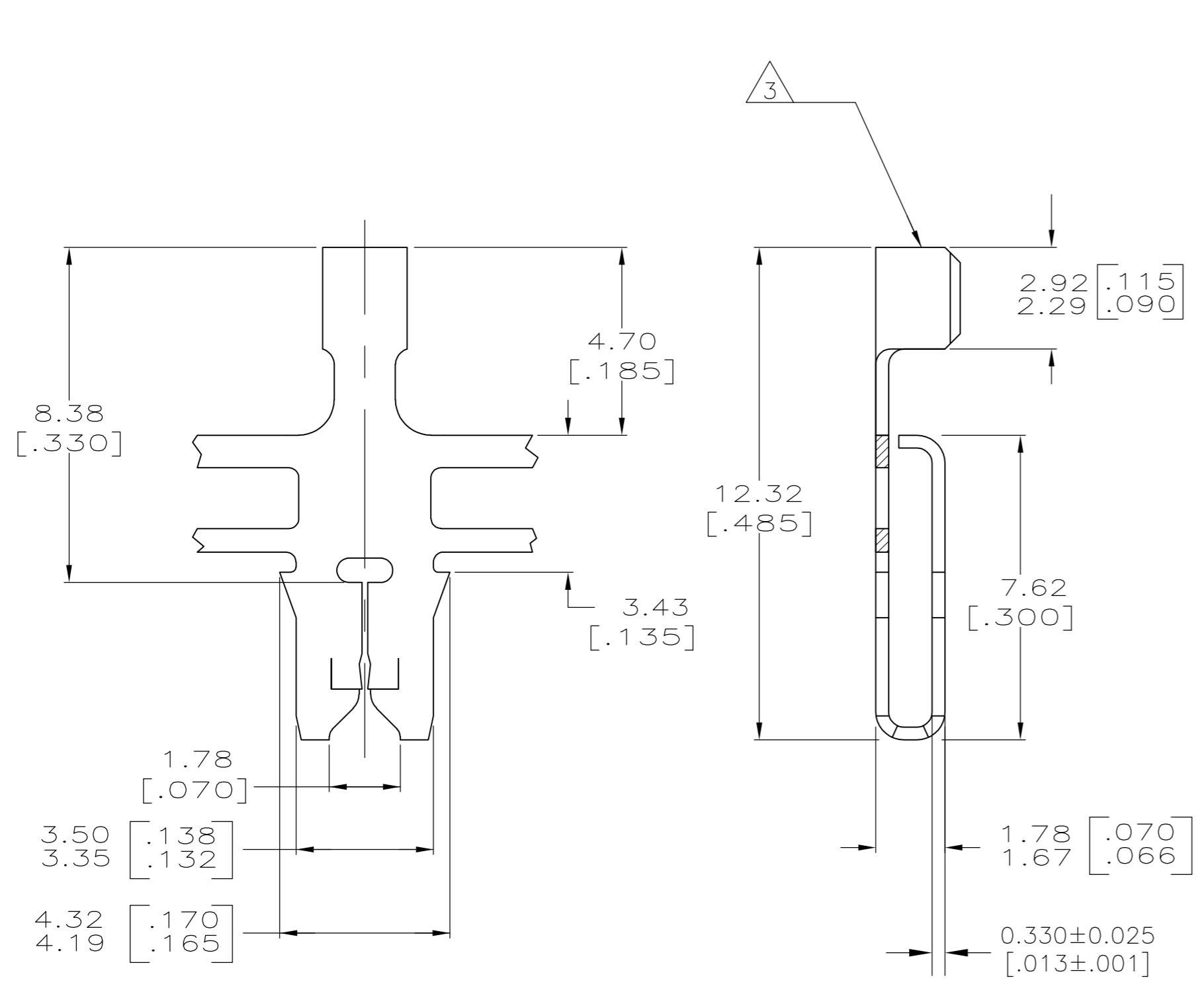
THIS DRAWING IS UNPUBLISHED. RELEASED FOR PUBLICATION  
 © COPYRIGHT BY TYCO ELECTRONICS CORPORATION. ALL RIGHTS RESERVED.

LOC	DIST	REVISIONS			
P	LTR	DESCRIPTION	DATE	DWN	APVD
AF	50	A1	REVISED PER ECR-07-019908	24AUG07	HMR KR

IDENTIFICATION NUMBER 5 FOR MAGNET WIRE RANGE



- 1 SLOT TERMINATES 0.23-0.32mm [#31-#28] AWG COPPER MAGNET WIRE EITHER SINGLE OR DOUBLE OF THE SAME SIZE.
- 2 CONTINUOUS STRIP ON REELS WITH TERMINALS LOCATED ON 8.38±0.08 [.330±.003] CENTERS.
- 3 WIRE BARREL TO ACCEPTS #24-#20 AWG STRANDED LEAD WIRE.



1742614-1  
PART NUMBER

THIS DRAWING IS A CONTROLLED DOCUMENT.		DWN 09JUL2007 MICHAEL S. FEHER	Tyco Electronics Corporation Harrisburg, PA 17105-3608	
DIMENSIONS: INCHES		CHK 09JUL2007 KURT A. RANDOLPH	NAME	
TOLERANCES UNLESS OTHERWISE SPECIFIED:		APVD 09JUL2007 KURT A. RANDOLPH	PRODUCT SPEC	
0 PLC ± -		108-2012		
1 PLC ± -		APPLICATION SPEC		
2 PLC ± 0.25[.010]		114-2046		
3 PLC ± -		SIZE CAGE CODE DRAWING NO		
4 PLC ± -		A2 00779 C=1742614		
ANGLES ± -		RESTRICTED TO		
FINISH		-		
4M BRASS		0.002032[.000080] MIN TIN PLATE		
CUSTOMER DRAWING		SCALE 8:1 SHEET 1 of 1 REV A1		