



Chipsmall Limited consists of a professional team with an average of over 10 year of expertise in the distribution of electronic components. Based in Hongkong, we have already established firm and mutual-benefit business relationships with customers from,Europe,America and south Asia,supplying obsolete and hard-to-find components to meet their specific needs.

With the principle of “Quality Parts,Customers Priority,Honest Operation,and Considerate Service”,our business mainly focus on the distribution of electronic components. Line cards we deal with include Microchip,ALPS,ROHM,Xilinx,Pulse,ON,Everlight and Freescale. Main products comprise IC,Modules,Potentiometer,IC Socket,Relay,Connector.Our parts cover such applications as commercial,industrial, and automotives areas.

We are looking forward to setting up business relationship with you and hope to provide you with the best service and solution. Let us make a better world for our industry!



Contact us

Tel: +86-755-8981 8866 Fax: +86-755-8427 6832

Email & Skype: info@chipsmall.com Web: www.chipsmall.com

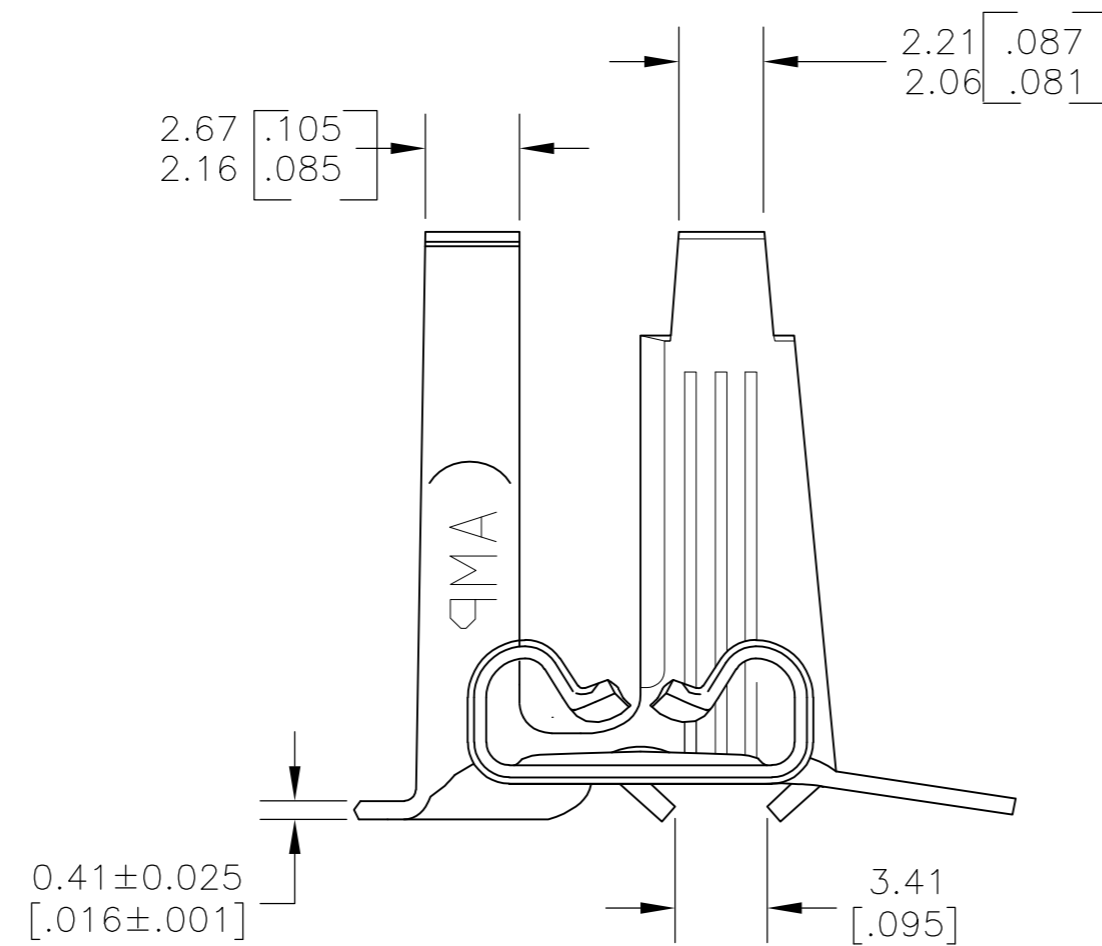
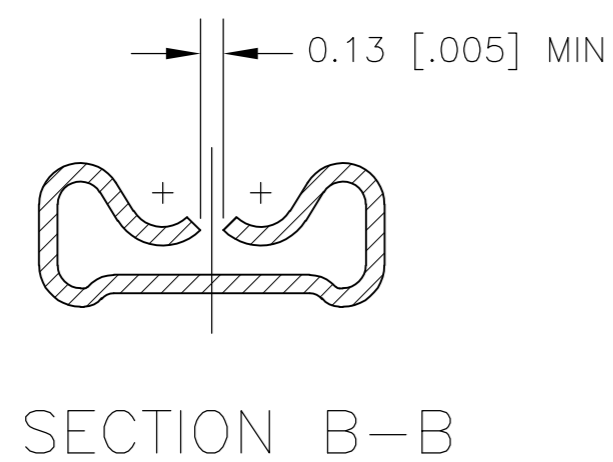
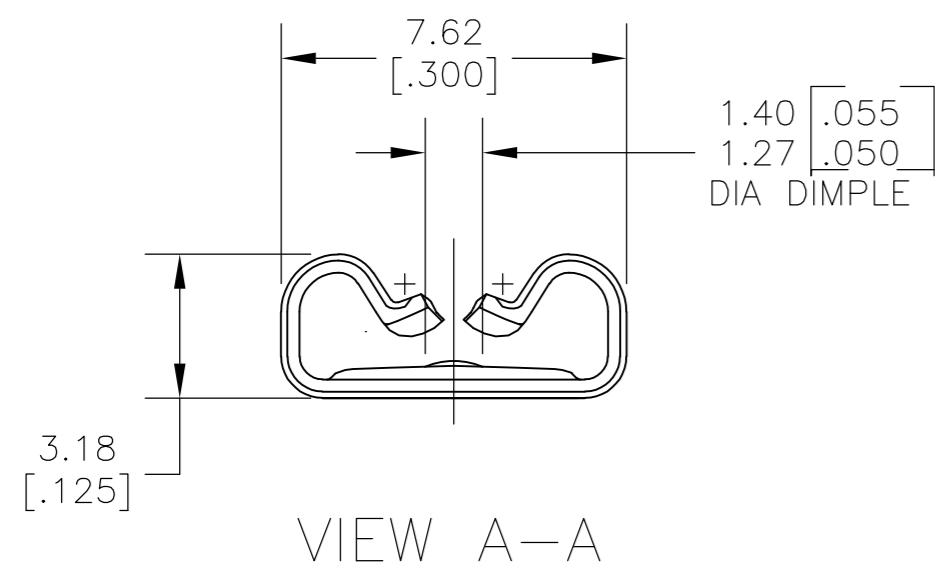
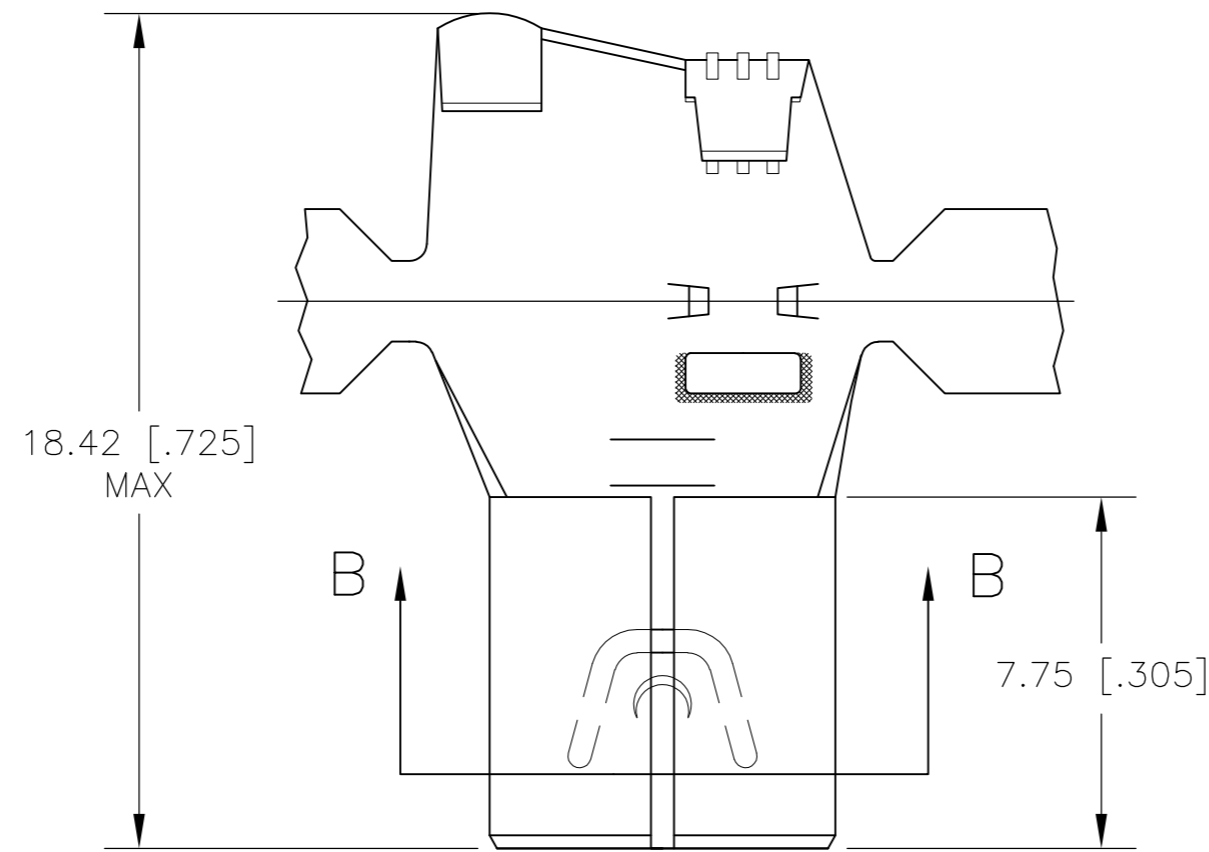
Address: A1208, Overseas Decoration Building, #122 Zhenhua RD., Futian, Shenzhen, China



THIS DRAWING IS UNPUBLISHED. RELEASED FOR PUBLICATION
 © COPYRIGHT - By - ALL RIGHTS RESERVED.

LOC	DIST	REVISIONS			
P	LTR	DESCRIPTION	DATE	DWN	APVD
AF	50	A2	REL PER ECO-13-009003	29MAY13	JR PD

- 1 CONTINUOUS STRIP ON REELS
- 2 ACCEPTS WIRE SIZE COMBINATIONS OF TWO #14'S, OR TWO #16'S OR ONE #14 WITH ONE #16.
- 3 INSULATION RANGE IS TWO AT 3.56 [.140] MAX DIA
- 4 MATING TAB THK IS 0.81±0.025 [.032±.001]
- 5 0.00381 [.000150] MIN NICKEL PLATE



1742626-1
 PART NO

THIS DRAWING IS A CONTROLLED DOCUMENT.		DWN	jr ruth	24JUL07		TE Connectivity					
DIMENSIONS: MM [INCHES]		CHK	P DESANTIS	24JUL07		NAME RECEPTACLE, FASTON, FLAG, 6.35 [.250] SERIES	SIZE	CAGE CODE	DRAWING NO	RESTRICTED TO	
TOLERANCES UNLESS OTHERWISE SPECIFIED:		APVD	P DESANTIS	24JUL07			PRODUCT SPEC	A2	00779	C=1742626	-
0 PLC ± - 1 PLC ± - 2 PLC ± 0.25 [.010] 3 PLC ± - 4 PLC ± - ANGLES ± 5°		APPLICATION SPEC		WEIGHT		-	SCALE	6:1	SHEET	1 of 1	REV
MATERIAL: CR STEEL		FINISH: -- 5		CUSTOMER DRAWING							