



Chipsmall Limited consists of a professional team with an average of over 10 year of expertise in the distribution of electronic components. Based in Hongkong, we have already established firm and mutual-benefit business relationships with customers from,Europe,America and south Asia,supplying obsolete and hard-to-find components to meet their specific needs.

With the principle of "Quality Parts,Customers Priority,Honest Operation,and Considerate Service",our business mainly focus on the distribution of electronic components. Line cards we deal with include Microchip,ALPS,ROHM,Xilinx,Pulse,ON,Everlight and Freescale. Main products comprise IC,Modules,Potentiometer,IC Socket,Relay,Connector.Our parts cover such applications as commercial,industrial, and automotives areas.

We are looking forward to setting up business relationship with you and hope to provide you with the best service and solution. Let us make a better world for our industry!



Contact us

Tel: +86-755-8981 8866 Fax: +86-755-8427 6832

Email & Skype: info@chipsmall.com Web: www.chipsmall.com

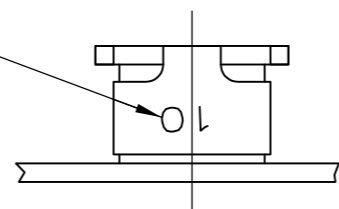
Address: A1208, Overseas Decoration Building, #122 Zhenhua RD., Futian, Shenzhen, China



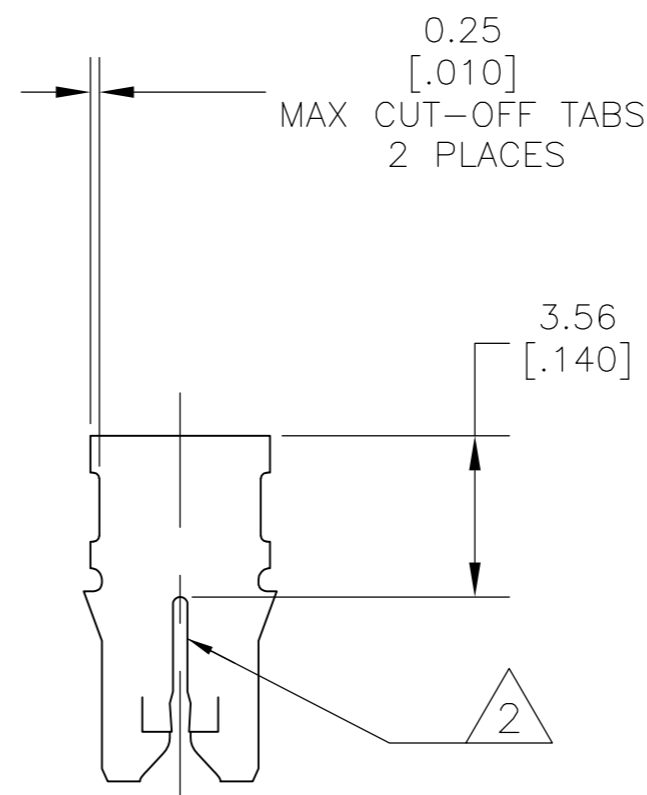
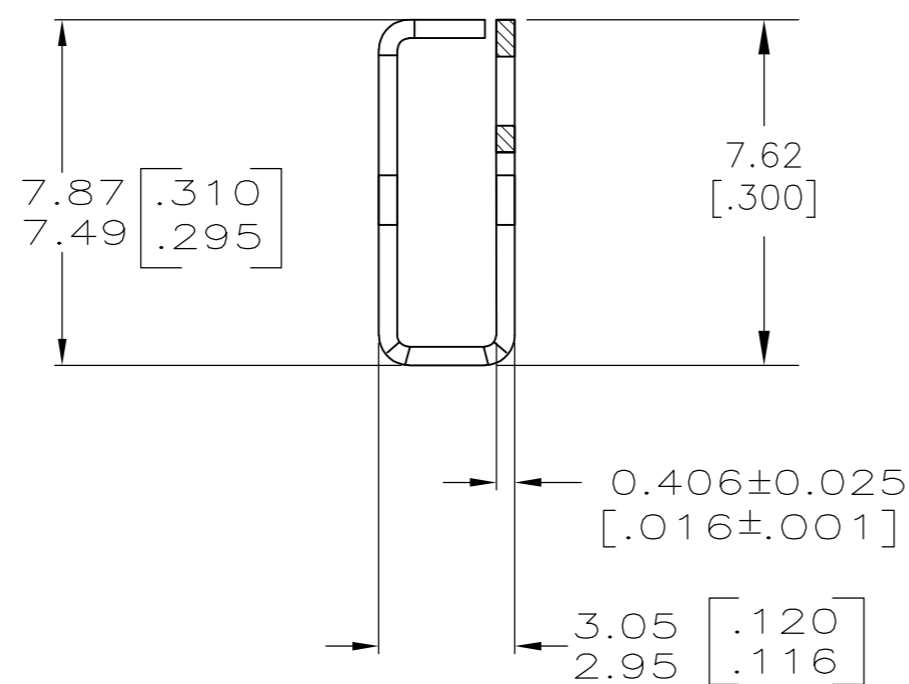
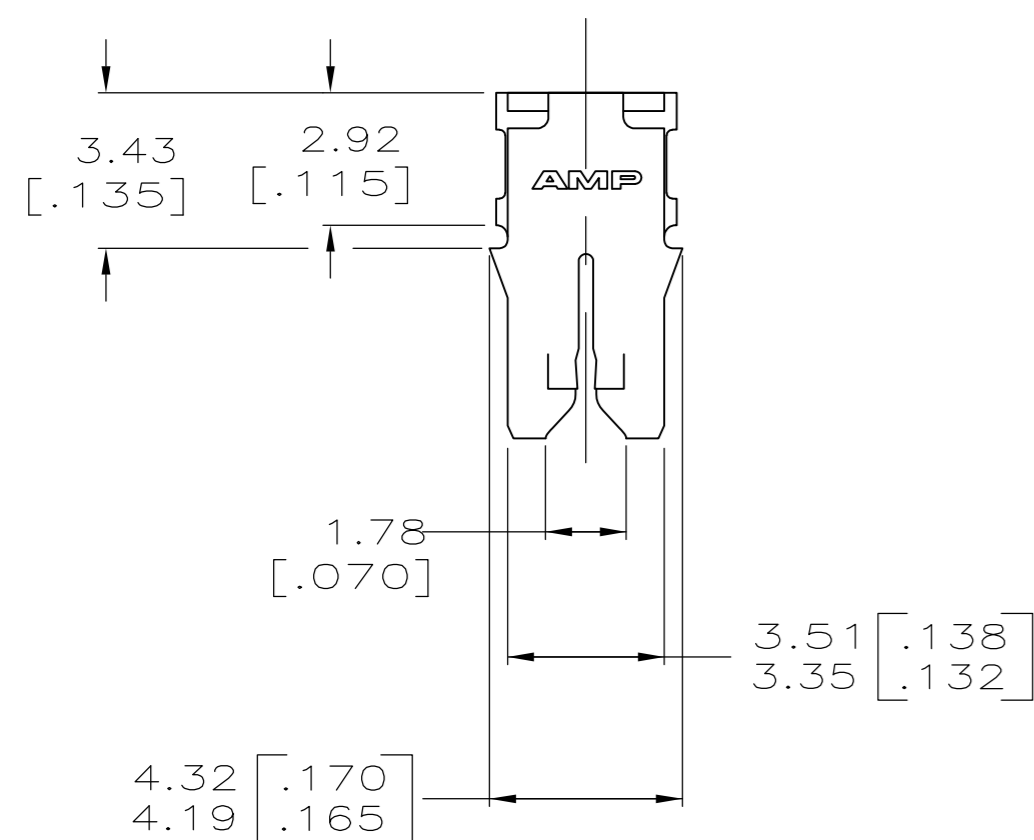
THIS DRAWING IS UNPUBLISHED. RELEASED FOR PUBLICATION
 © COPYRIGHT BY TYCO ELECTRONICS CORPORATION. ALL INTERNATIONAL RIGHTS RESERVED.

LOC	DIST	REVISIONS			
P	LTR	DESCRIPTION	DATE	DWN	APVD
AF	50	A2	REVISED PER ECR-08-031154	12DEC08	HMR KR

IDENTIFICATION NUMBER 10 FOR MAGNET WIRE RANGE



- 1 TERMINALS SUPPLIED LOOSE PIECE.
- 2 SLOT TERMINATES EITHER A SINGLE OR DOUBLE MAGNET WIRES OF THE SAME TYPE AND SIZE.
 COPPER RANGE: 0.36-0.57mm [#27-#23] AWG.
 ALUMINUM RANGE: 0.51-0.64 mm [#24- #22] AWG.



1742660-1

PART NUMBER

THIS DRAWING IS A CONTROLLED DOCUMENT.		DWN 19NOV2007 MICHAEL S. FEHER	Tyco Electronics Corporation Harrisburg, PA 17105-3608	
DIMENSIONS: INCHES		CHK 19NOV2007 KURT A. RANDOLPH	NAME	
TOLERANCES UNLESS OTHERWISE SPECIFIED:		APVD 19NOV2007 KURT A. RANDOLPH	PRODUCT SPEC	
0 PLC ± -		108-2012		
1 PLC ± -		APPLICATION SPEC		
2 PLC ± 0.25 [.010]		114-2046		
3 PLC ± -		SIZE	CAGE CODE	DRAWING NO
4 PLC ± -		A2	00779	C=1742660
ANGLES ± -		WEIGHT	RESTRICTED TO	
MATERIAL 4M BRASS		FINISH 0.002032 [.000080] MIN TIN PLATE	-	
CUSTOMER DRAWING		SCALE 6:1	SHEET 1 of 1	REV A2