



Chipsmall Limited consists of a professional team with an average of over 10 year of expertise in the distribution of electronic components. Based in Hongkong, we have already established firm and mutual-benefit business relationships with customers from,Europe,America and south Asia,supplying obsolete and hard-to-find components to meet their specific needs.

With the principle of “Quality Parts,Customers Priority,Honest Operation,and Considerate Service”,our business mainly focus on the distribution of electronic components. Line cards we deal with include Microchip,ALPS,ROHM,Xilinx,Pulse,ON,Everlight and Freescale. Main products comprise IC,Modules,Potentiometer,IC Socket,Relay,Connector.Our parts cover such applications as commercial,industrial, and automotives areas.

We are looking forward to setting up business relationship with you and hope to provide you with the best service and solution. Let us make a better world for our industry!



Contact us

Tel: +86-755-8981 8866 Fax: +86-755-8427 6832

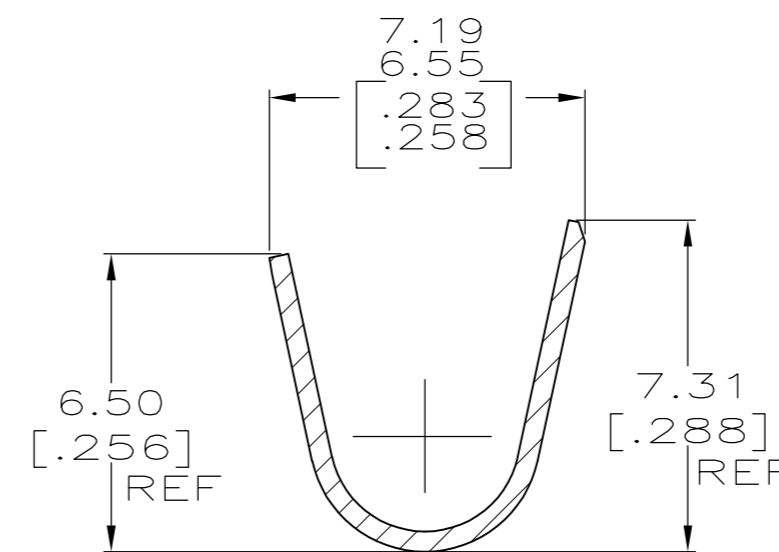
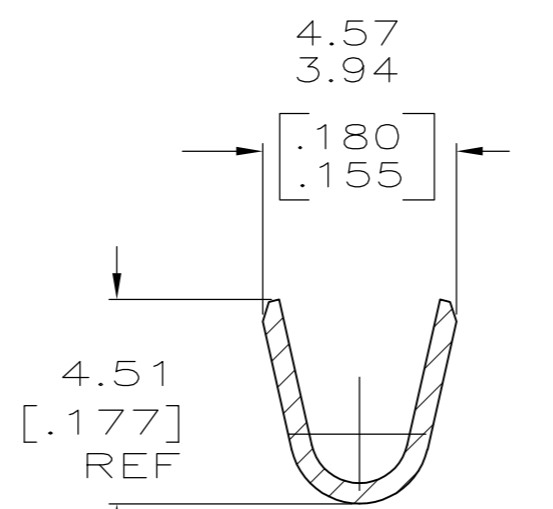
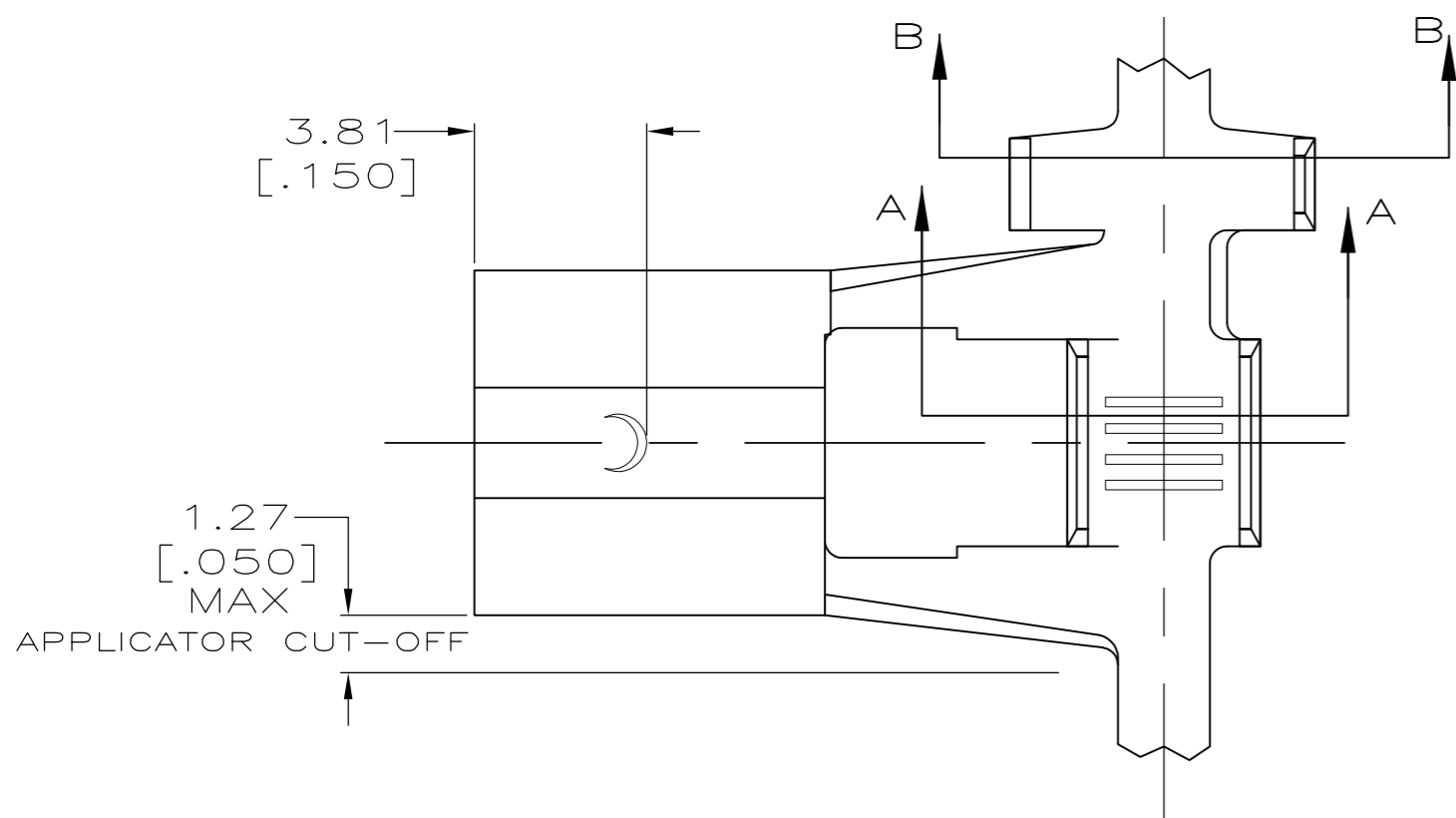
Email & Skype: info@chipsmall.com Web: www.chipsmall.com

Address: A1208, Overseas Decoration Building, #122 Zhenhua RD., Futian, Shenzhen, China



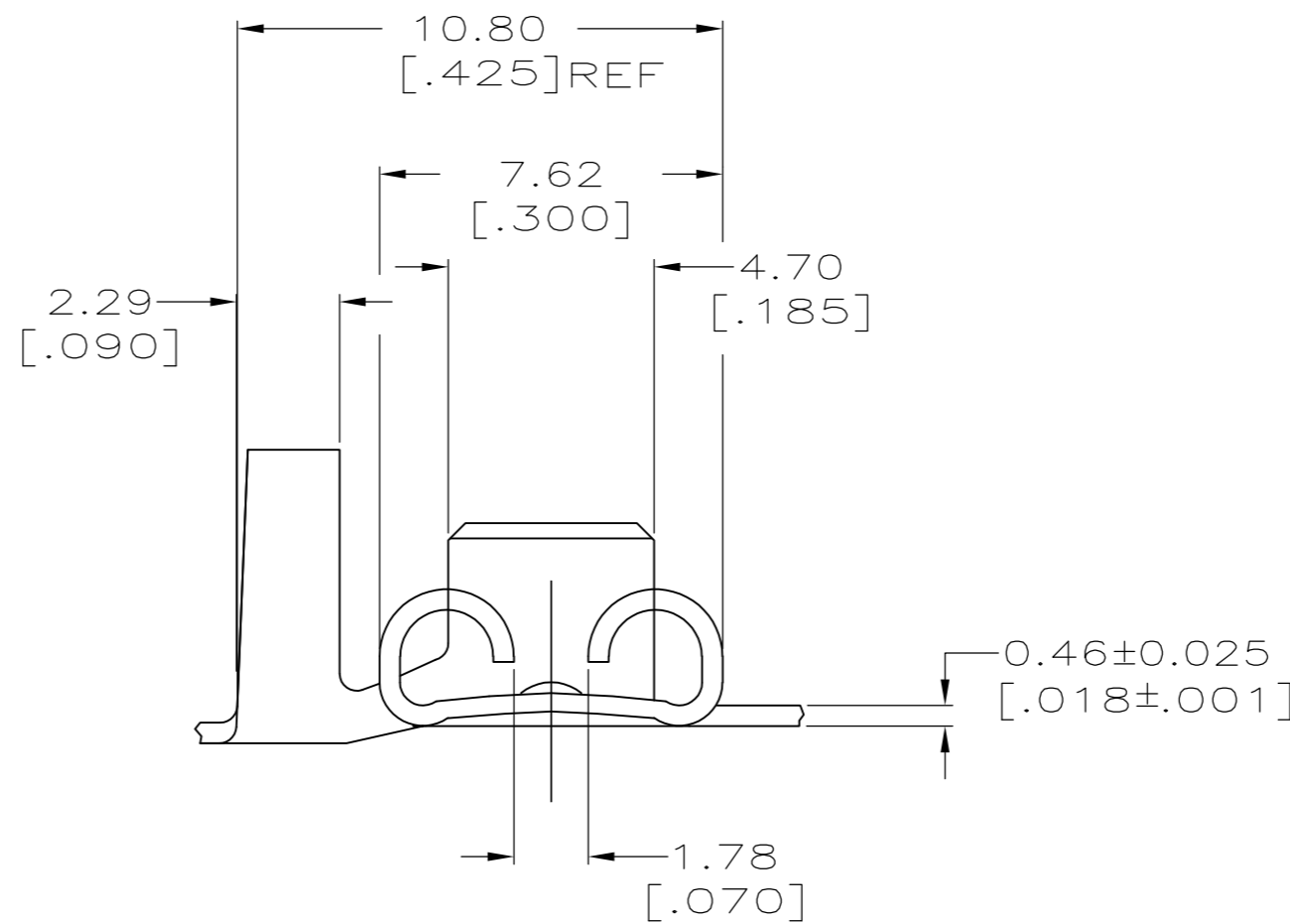
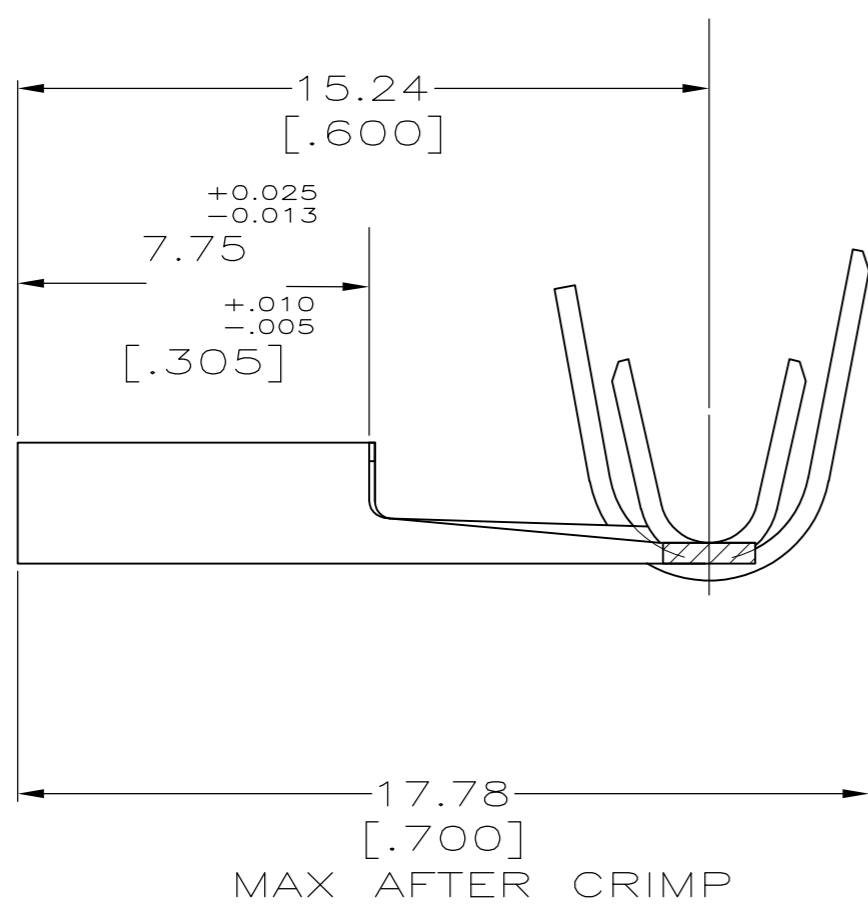
THIS DRAWING IS UNPUBLISHED. RELEASED FOR PUBLICATION
 © COPYRIGHT - By - ALL RIGHTS RESERVED.

LOC	DIST	REVISIONS			
P	LTR	DESCRIPTION	DATE	DWN	APVD
AF	50				
C		REVISED PER ECR-12-013518	26NOV2012	KH	PD



SECTION A-A

SECTION B-B



- 1 CONTINUOUS STRIP ON REELS
- 2 MATING TAB THK TO BE 0.813±0.025 [.032±.001].
- 3 WIRE SIZE IS [#16-#12] AWG.
- 4 INSULATION RANGE IS 3.05-4.32 [.120-.170] DIA.

1742718

B

A

1742718-1
 PART NO.

THIS DRAWING IS A CONTROLLED DOCUMENT.		DWN	JR RUTH	18JUL08		TE Connectivity					
DIMENSIONS: mm [INCHES]		CHK	MS FEHER	18JUL08		RECEPTACLE, FASTON, FLAG, MOLDABLE, 6.35 [.250] SERIES					
TOLERANCES UNLESS OTHERWISE SPECIFIED:		APVD	P DESANTIS	18JUL08		SIZE	CAGE CODE	DRAWING NO			
0 PLC ± - 1 PLC ± - 2 PLC ± 0.25 [.010] 3 PLC ± - 4 PLC ± - ANGLES ± -		PRODUCT SPEC	-			A2	00779	C=1742718			
MATERIAL	BRASS	FINISH	TIN	WEIGHT	-	SCALE	6:1	SHEET	1 of 1	REV	C
CUSTOMER DRAWING							RESTRICTED TO		-		