



Chipsmall Limited consists of a professional team with an average of over 10 year of expertise in the distribution of electronic components. Based in Hongkong, we have already established firm and mutual-benefit business relationships with customers from,Europe,America and south Asia,supplying obsolete and hard-to-find components to meet their specific needs.

With the principle of “Quality Parts,Customers Priority,Honest Operation,and Considerate Service”,our business mainly focus on the distribution of electronic components. Line cards we deal with include Microchip,ALPS,ROHM,Xilinx,Pulse,ON,Everlight and Freescale. Main products comprise IC,Modules,Potentiometer,IC Socket,Relay,Connector.Our parts cover such applications as commercial,industrial, and automotives areas.

We are looking forward to setting up business relationship with you and hope to provide you with the best service and solution. Let us make a better world for our industry!



Contact us

Tel: +86-755-8981 8866 Fax: +86-755-8427 6832

Email & Skype: info@chipsmall.com Web: www.chipsmall.com

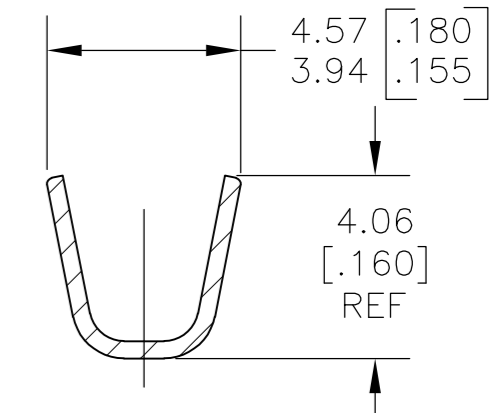
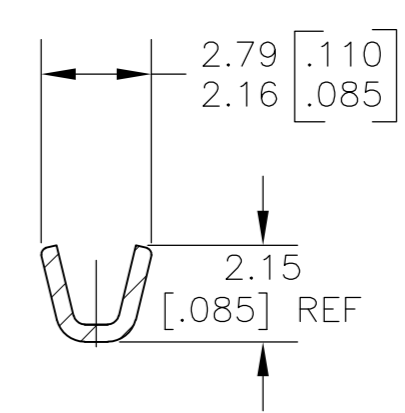
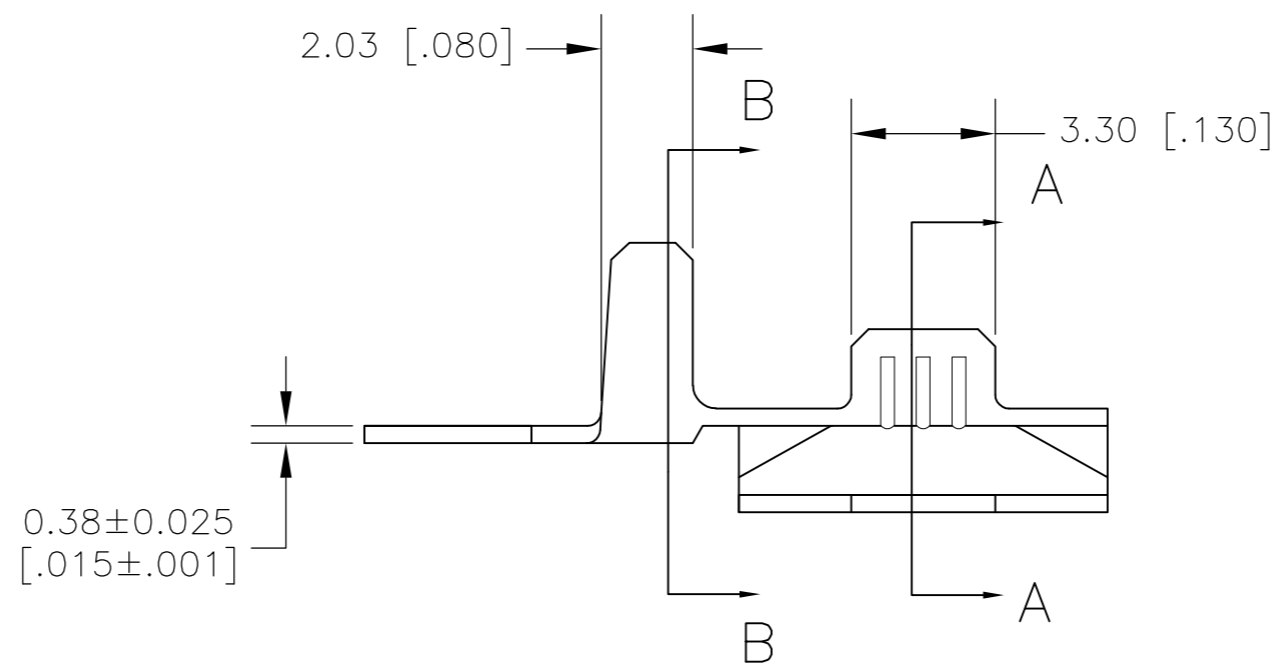
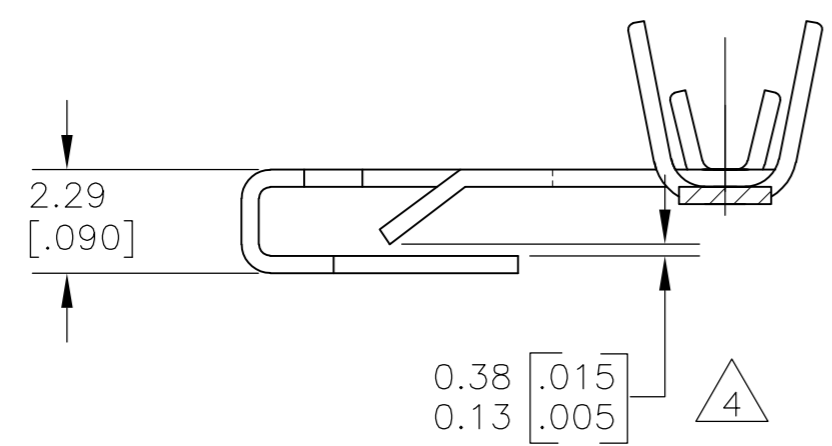
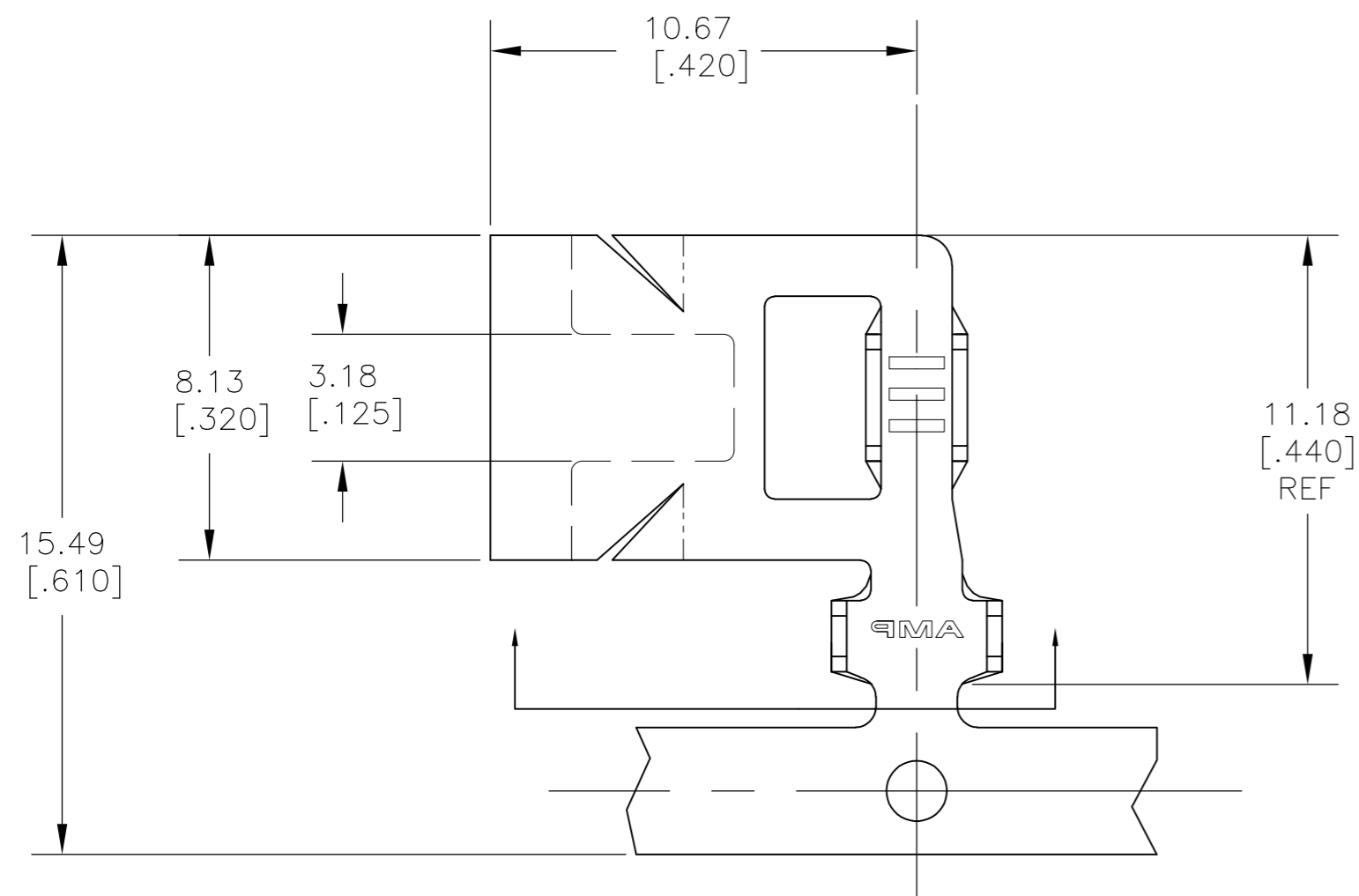
Address: A1208, Overseas Decoration Building, #122 Zhenhua RD., Futian, Shenzhen, China



THIS DRAWING IS UNPUBLISHED. RELEASED FOR PUBLICATION
 © COPYRIGHT BY TYCO ELECTRONICS CORPORATION. ALL RIGHTS RESERVED.

LOC	DIST	REVISIONS			
P	LTR	DESCRIPTION	DATE	DWN	APVD
AF	50	A2	REV PER ECR 09-012372	01JUN09	JR DD

- 1 CONTINUOUS STRIP ON REELS
- 2 WIRE SIZE IS #24-#20 AWG
- 3 INSULATION RANGE IS 1.52-2.62 [.060-.103] DIA
- 4 MATES WITH 0.51-1.04 [.020-.041] THICK PANEL
- 5 PRELIMINARY - NOT FOR PRODUCTION
- 6 PREPRODUCTION - FASR REQUIRED



SECTION A-A SECTION B-B

FINISH	MATERIAL	PART NO
0.002032 [.000080] MIN TIN	HO4 PHOS BRONZE	5 1742778-3
0.002032 [.000080] MIN TIN	TEMP 2 CR STEEL	5 1742778-2
--	1/4 HARD UNS S30100 STAINLESS STEEL	6 1742778-1

THIS DRAWING IS A CONTROLLED DOCUMENT.		DWN jr ruth 28JAN09	Tyco Electronics Corporation Harrisburg, PA 17105-3608	
DIMENSIONS: MM [INCHES]		CHK DON DECKER 28JAN09	NAME -	
TOLERANCES UNLESS OTHERWISE SPECIFIED:		APVD DON DECKER 28JAN09	PRODUCT SPEC -	
0 PLC ± -		APPLICATION SPEC -	SIZE CAGE CODE DRAWING NO RESTRICTED TO	
1 PLC ± -		WEIGHT -	A2 00779 C=1742778	
2 PLC ± 0.25 [.010]		CUSTOMER DRAWING	SCALE 6:1	SHEET 1 of 1
3 PLC ± -				REV A2
4 PLC ± -				
ANGLES ± 5°				
MATERIAL SEE TABLE	FINISH SEE TABLE			