



Chipsmall Limited consists of a professional team with an average of over 10 year of expertise in the distribution of electronic components. Based in Hongkong, we have already established firm and mutual-benefit business relationships with customers from,Europe,America and south Asia,supplying obsolete and hard-to-find components to meet their specific needs.

With the principle of "Quality Parts,Customers Priority,Honest Operation,and Considerate Service",our business mainly focus on the distribution of electronic components. Line cards we deal with include Microchip,ALPS,ROHM,Xilinx,Pulse,ON,Everlight and Freescale. Main products comprise IC,Modules,Potentiometer,IC Socket,Relay,Connector.Our parts cover such applications as commercial,industrial, and automotives areas.

We are looking forward to setting up business relationship with you and hope to provide you with the best service and solution. Let us make a better world for our industry!



Contact us

Tel: +86-755-8981 8866 Fax: +86-755-8427 6832

Email & Skype: info@chipsmall.com Web: www.chipsmall.com

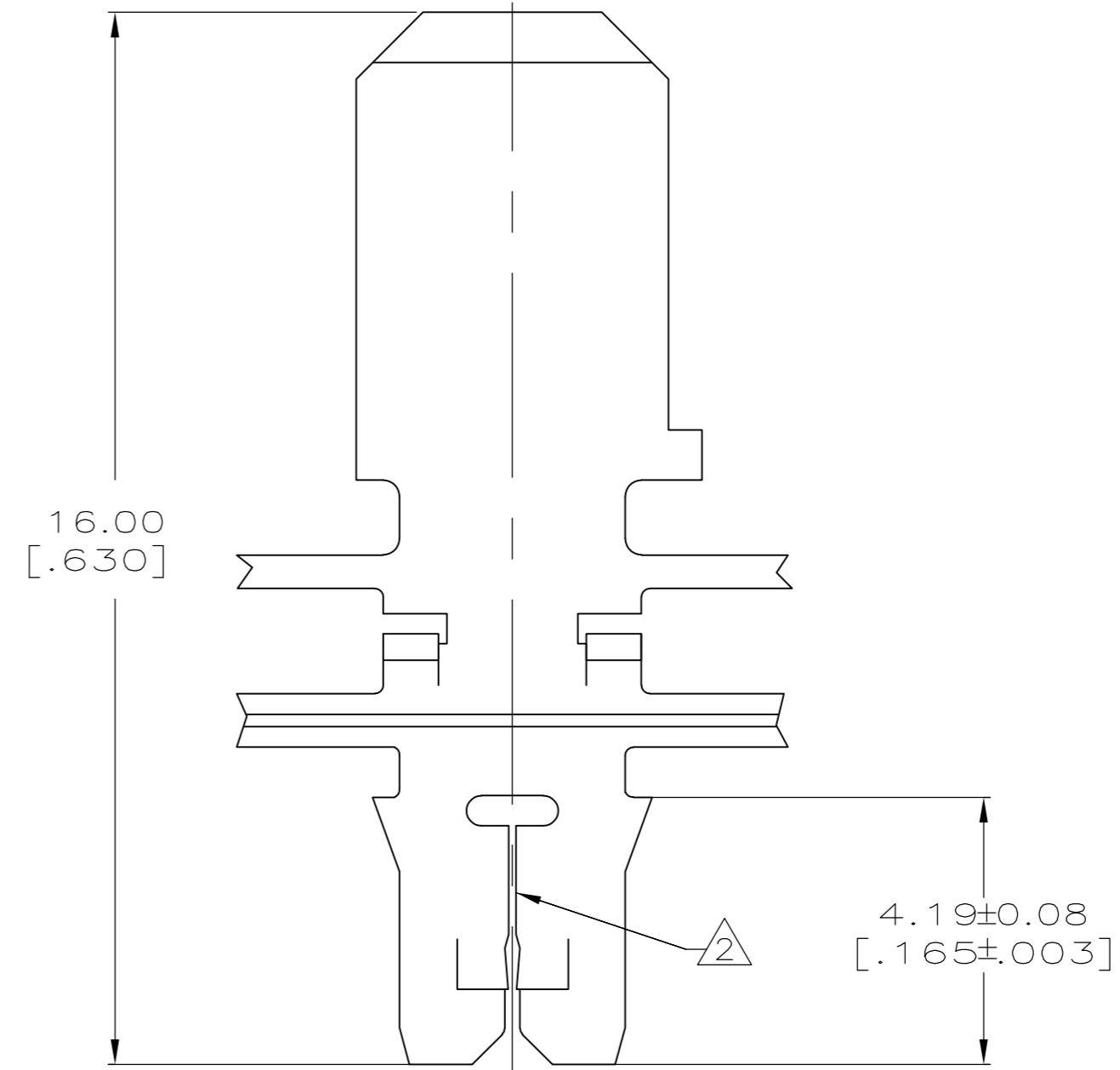
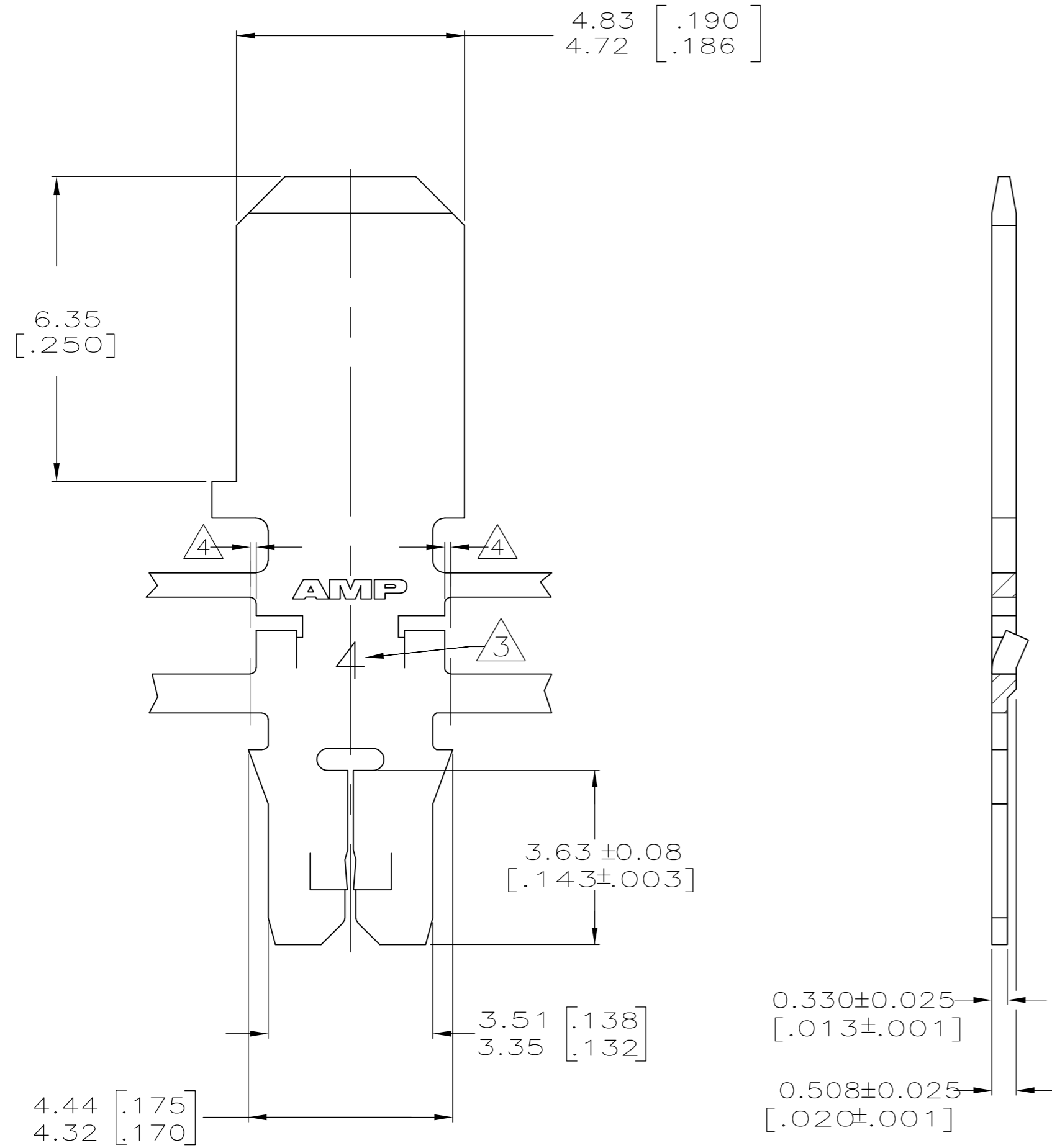
Address: A1208, Overseas Decoration Building, #122 Zhenhua RD., Futian, Shenzhen, China



THIS DRAWING IS UNPUBLISHED. RELEASED FOR PUBLICATION
 © COPYRIGHT BY TYCO ELECTRONICS CORPORATION. ALL INTERNATIONAL RIGHTS RESERVED.

LOC		DIST		REVISIONS			
P	LTR	DESCRIPTION		DATE	DWN	APVD	
A		REVISED PER ECO-10-006334		24MAR10	HMR	KR	

- 1 CONTINUOUS STRIP ON REELS WITH TERMINALS LOCATED ON 6.86 ± 0.08 [$.270 \pm .003$] CENTERS.
- 2 SLOT ACCEPTS $0.18-0.23\text{mm}$ [#33-#31] AWG COPPER MAGNET WIRE. TWO WIRES OF THE SAME SIZE MAX PER SLOT.
- 3 IDENTIFICATION NUMBER 4 FOR THE MAGNET WIRE SLOT SIZE.
- 4 $0.25[.010]$ MAX CARRIER CUT-OFF TABS.



082 PRE-MILLED BRASS	1742833-1
DESCRIPTION	PART NUMBER

THIS DRAWING IS A CONTROLLED DOCUMENT.		DWN	S SCHLEGEL	1/26/10	Tyco Electronics Corporation Harrisburg, PA 17105-3608
DIMENSIONS: mm [INCHES]		CHK	K RANDOLPH	1/26/10	
TOLERANCES UNLESS OTHERWISE SPECIFIED:		APVD	K RANDOLPH	1/26/10	
0 PLC ± - 1 PLC ± - 2 PLC ± 0.13 [.005] 3 PLC ± - 4 PLC ± - ANGLES ± -		PRODUCT SPEC	108-1484		
MATERIAL SEE TABLE		FINISH	0.002032 [.000080] MIN TIN PLATE		NAME
		WEIGHT	-		TAB, 4.75 [.187] FASTON, MAG-MATE Slim Line
		CUSTOMER DRAWING	SIZE	A2	CAGE CODE
			SCALE	10:1	DRAWING NO
			SHEET	1 of 1	RESTRICTED TO
			REV	A	

1742833