



Chipsmall Limited consists of a professional team with an average of over 10 year of expertise in the distribution of electronic components. Based in Hongkong, we have already established firm and mutual-benefit business relationships with customers from,Europe,America and south Asia,supplying obsolete and hard-to-find components to meet their specific needs.

With the principle of "Quality Parts,Customers Priority,Honest Operation,and Considerate Service",our business mainly focus on the distribution of electronic components. Line cards we deal with include Microchip,ALPS,ROHM,Xilinx,Pulse,ON,Everlight and Freescale. Main products comprise IC,Modules,Potentiometer,IC Socket,Relay,Connector.Our parts cover such applications as commercial,industrial, and automotives areas.

We are looking forward to setting up business relationship with you and hope to provide you with the best service and solution. Let us make a better world for our industry!



Contact us

Tel: +86-755-8981 8866 Fax: +86-755-8427 6832

Email & Skype: info@chipsmall.com Web: www.chipsmall.com

Address: A1208, Overseas Decoration Building, #122 Zhenhua RD., Futian, Shenzhen, China



THIS DRAWING IS UNPUBLISHED.

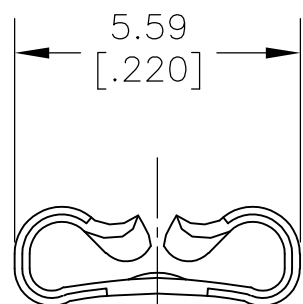
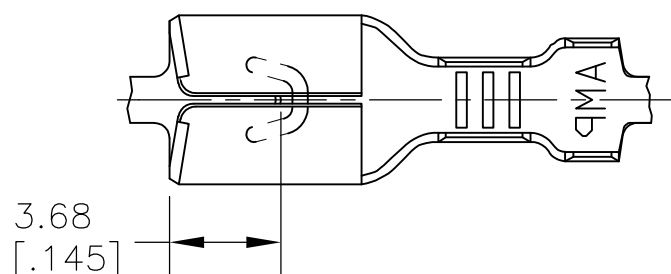
RELEASED FOR PUBLICATION

ALL RIGHTS RESERVED.

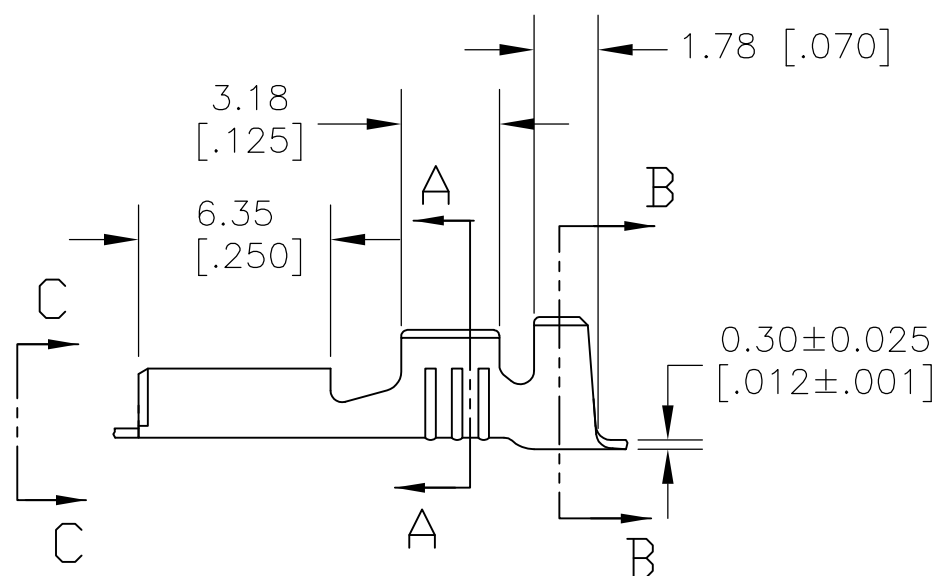
© COPYRIGHT - By -

LOC	DIST	REVISIONS					
		P	LTR	DESCRIPTION	DATE	DWN	APVD
-	-		A2	REVISED PER ECR-12-007832	30APR12	HMR	PD

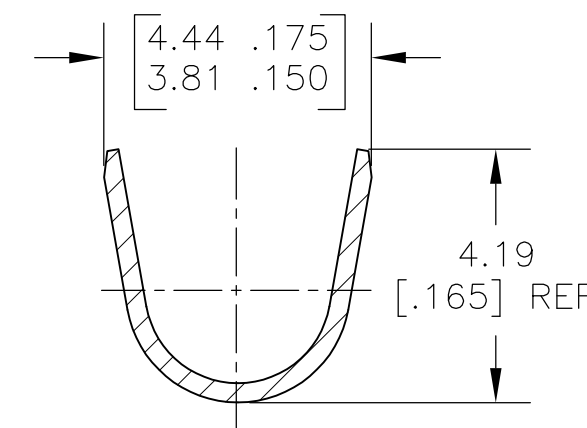
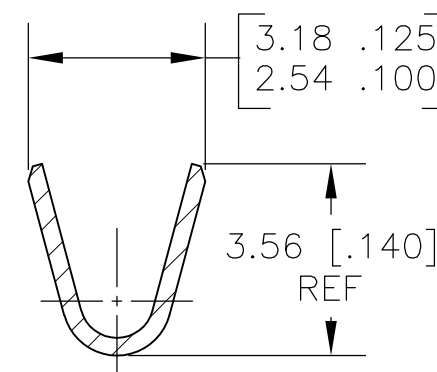
- 1 CONTINUOUS STRIP ON REELS.
- 2 WIRE SIZE #20-#16 AWG
- 3 INSULATION RANGE 2.29-3.30 [.090-.130] DIA
- 4 MATING TAB THK 0.51±0.025 [.020±.001]



VIEW C-C
SCALE 8:1



SECTION A-A
SCALE 8:1



SECTION B-B
SCALE 8:1

1742841-1

PART NO

THIS DRAWING IS A CONTROLLED DOCUMENT.		DWN jr_ruth 24AUG10	TE Connectivity														
DIMENSIONS: MM [INCHES]		CHK PETE DESANTIS 24AUG10															
TOLERANCES UNLESS OTHERWISE SPECIFIED:		APVD PETE DESANTIS 24AUG10	NAME RECEPTACLE , FASTON, .187 SERIES														
<table border="0"> <tr><td>0 PLC</td><td>± -</td></tr> <tr><td>1 PLC</td><td>± -</td></tr> <tr><td>2 PLC</td><td>± 0.25 [.010]</td></tr> <tr><td>3 PLC</td><td>± -</td></tr> <tr><td>4 PLC</td><td>± -</td></tr> <tr><td>ANGLES</td><td>± 5°</td></tr> </table>		0 PLC	± -	1 PLC	± -	2 PLC	± 0.25 [.010]	3 PLC	± -	4 PLC	± -	ANGLES	± 5°	PRODUCT SPEC -	RESTRICTED TO -		
0 PLC	± -																
1 PLC	± -																
2 PLC	± 0.25 [.010]																
3 PLC	± -																
4 PLC	± -																
ANGLES	± 5°																
MATERIAL CR STEEL		FINISH NICKEL PLATE	APPLICATION SPEC -	SIZE A3	CAGE CODE 00779	DRAWING NO C-1742841											
CUSTOMER DRAWING			WEIGHT -	SCALE 4:1	SHEET 1 OF 1	REV A2											