



Chipsmall Limited consists of a professional team with an average of over 10 year of expertise in the distribution of electronic components. Based in Hongkong, we have already established firm and mutual-benefit business relationships with customers from,Europe,America and south Asia,supplying obsolete and hard-to-find components to meet their specific needs.

With the principle of “Quality Parts,Customers Priority,Honest Operation,and Considerate Service”,our business mainly focus on the distribution of electronic components. Line cards we deal with include Microchip,ALPS,ROHM,Xilinx,Pulse,ON,Everlight and Freescale. Main products comprise IC,Modules,Potentiometer,IC Socket,Relay,Connector.Our parts cover such applications as commercial,industrial, and automotives areas.

We are looking forward to setting up business relationship with you and hope to provide you with the best service and solution. Let us make a better world for our industry!



Contact us

Tel: +86-755-8981 8866 Fax: +86-755-8427 6832

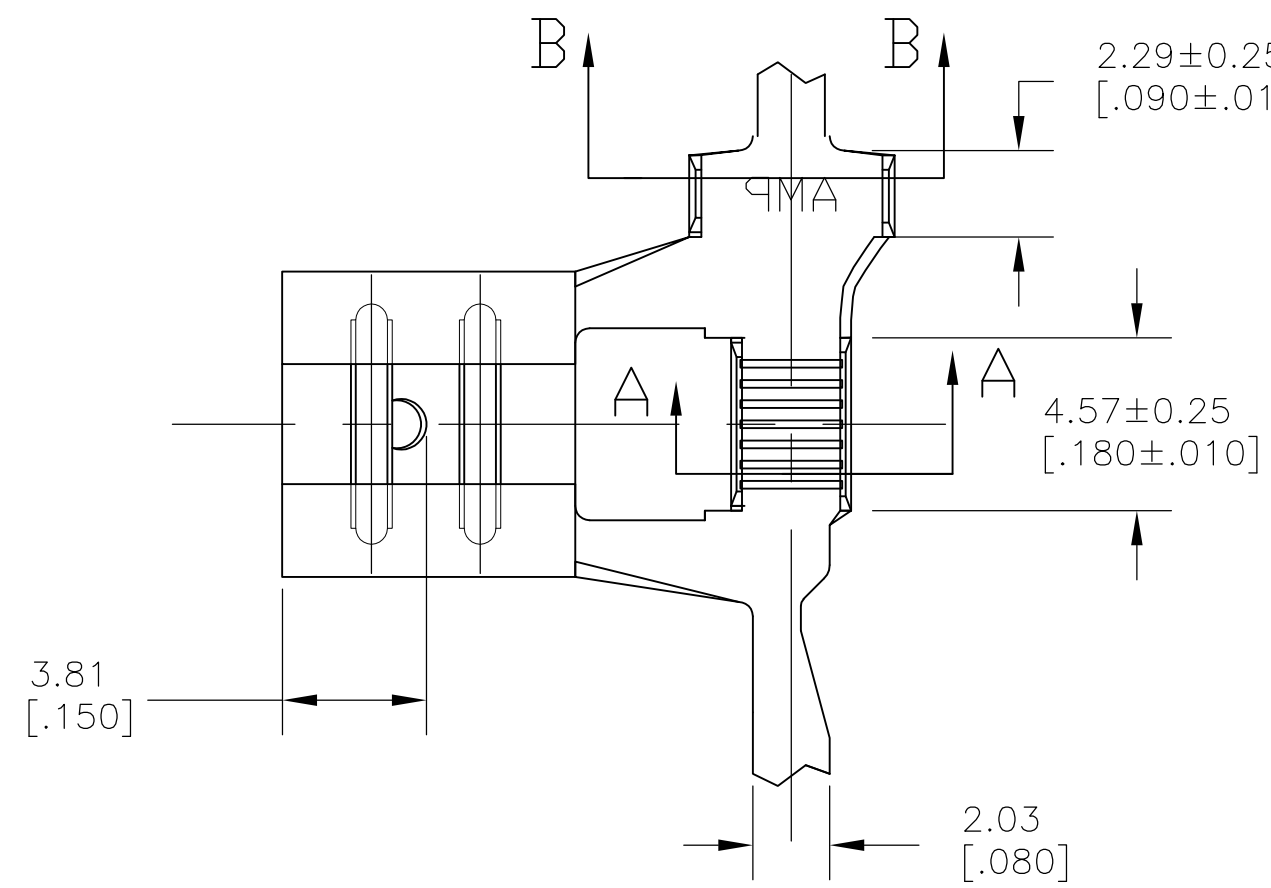
Email & Skype: info@chipsmall.com Web: www.chipsmall.com

Address: A1208, Overseas Decoration Building, #122 Zhenhua RD., Futian, Shenzhen, China

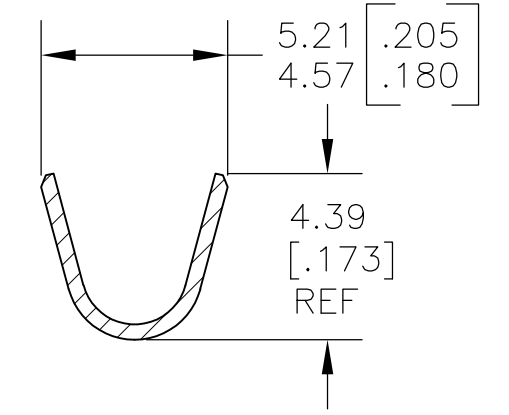
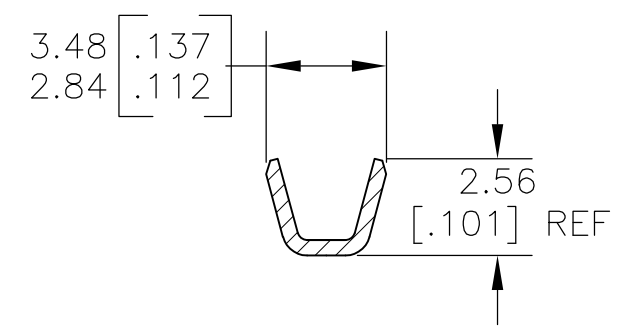
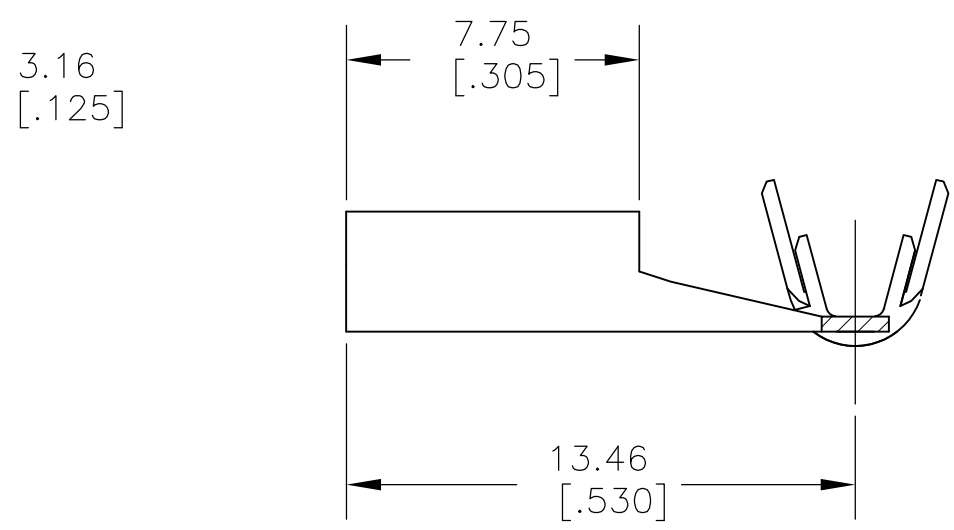
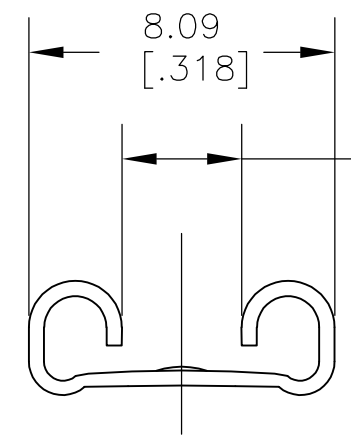


THIS DRAWING IS UNPUBLISHED. RELEASED FOR PUBLICATION
 © COPYRIGHT - By - ALL RIGHTS RESERVED.

LOC	DIST	REVISIONS			
P	LTR	DESCRIPTION	DATE	DWN	APVD
AF	50	A2	RELEASED PER ECO 11-022700	10NOV11	JR PD



- CONTINUOUS STRIP ON REELS
- WIRE SIZE IS 1000-2700 CMA (2 WIRES)
(0.6+0.6mm) to (1.0+0.85mm) DIA
CRIMP WIDTH IS 2.29 [.090], F TYPE
- INSULATION RANGE 2.54-3.05 [.100-.120] DIA
CRIMP WIDTH IS 3.56 [.140], OVERLAP TYPE
- 0.002032 [.00080] MIN TIN PLATE
- MATING TAB THK IS 0.81±0.025 [.032±.001].



SECTION A-A SECTION B-B

1742882-1
PART NO

THIS DRAWING IS A CONTROLLED DOCUMENT.		DWN jr_ruth 08DEC10	TE Connectivity RECEPTACLE, FASTON, FLAG, AMPLIVAR, 6.35 [.250] SERIES		
DIMENSIONS: MM [INCHES]		CHK PETE_DESANTIS 08DEC10			
TOLERANCES UNLESS OTHERWISE SPECIFIED: 0 PLC ± - 1 PLC ± - 2 PLC ± 0.25 [.010] 3 PLC ± - 4 PLC ± - ANGLES ± 5°		APVD PETE_DESANTIS 08DEC10	PRODUCT SPEC		RESTRICTED TO
		APPLICATION SPEC		SIZE	CAGE CODE
MATERIAL 4M BRASS		FINISH △ 4		WEIGHT	DRAWING NO
CUSTOMER DRAWING			A3	00779	C-1742882
SCALE 5:1			SHEET 1 OF 1	REV A2	