



Chipsmall Limited consists of a professional team with an average of over 10 year of expertise in the distribution of electronic components. Based in Hongkong, we have already established firm and mutual-benefit business relationships with customers from,Europe,America and south Asia,supplying obsolete and hard-to-find components to meet their specific needs.

With the principle of "Quality Parts,Customers Priority,Honest Operation,and Considerate Service",our business mainly focus on the distribution of electronic components. Line cards we deal with include Microchip,ALPS,ROHM,Xilinx,Pulse,ON,Everlight and Freescale. Main products comprise IC,Modules,Potentiometer,IC Socket,Relay,Connector.Our parts cover such applications as commercial,industrial, and automotives areas.

We are looking forward to setting up business relationship with you and hope to provide you with the best service and solution. Let us make a better world for our industry!



## Contact us

Tel: +86-755-8981 8866 Fax: +86-755-8427 6832

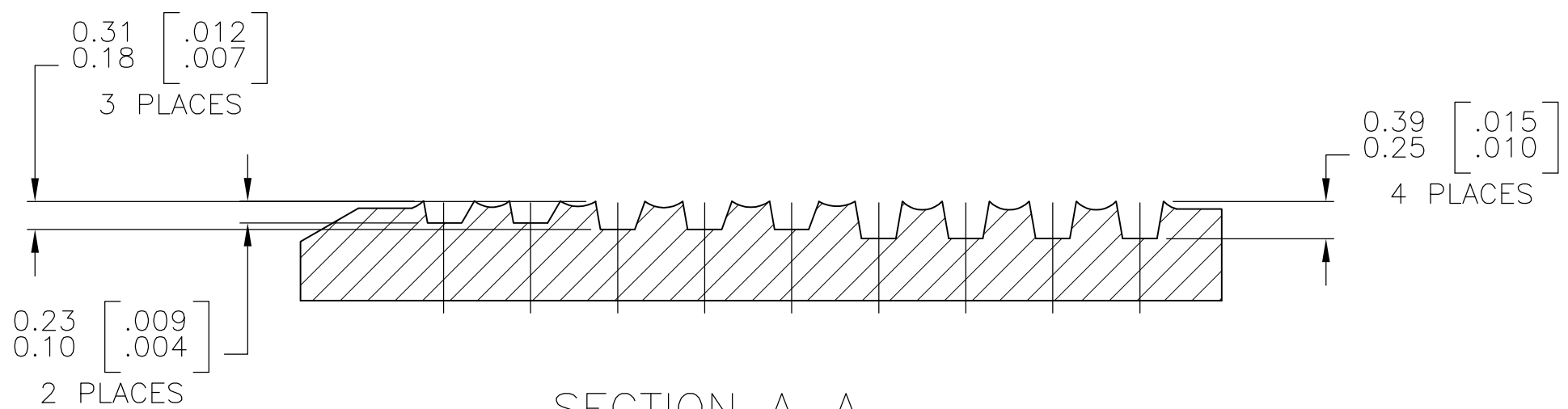
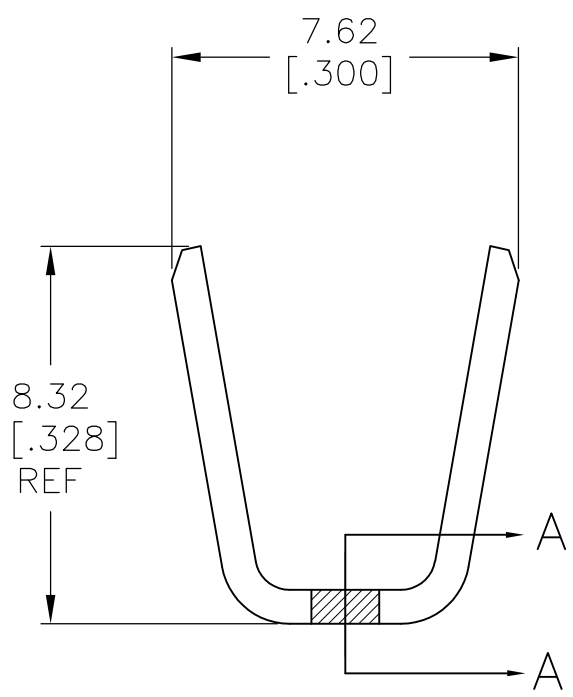
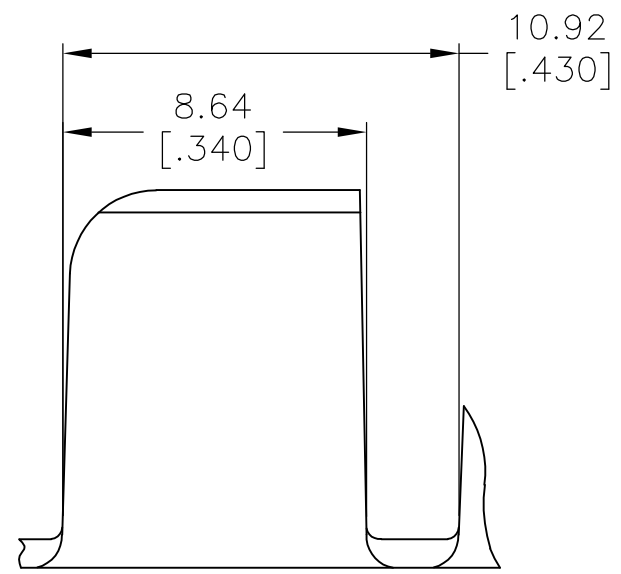
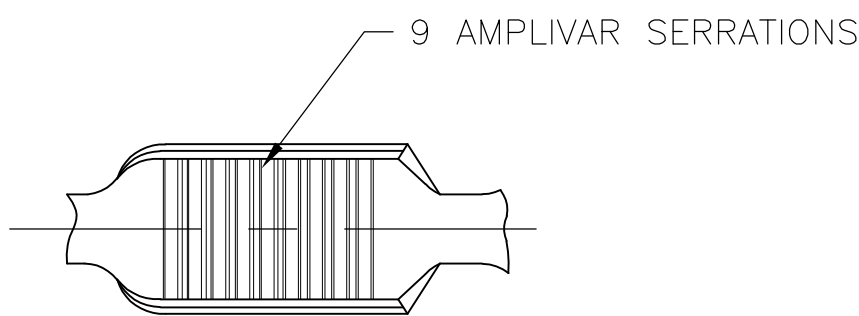
Email & Skype: info@chipsmall.com Web: www.chipsmall.com

Address: A1208, Overseas Decoration Building, #122 Zhenhua RD., Futian, Shenzhen, China



THIS DRAWING IS UNPUBLISHED. RELEASED FOR PUBLICATION  
 © COPYRIGHT - By - ALL RIGHTS RESERVED.

LOC	DIST	REVISIONS					
		P	LTR	DESCRIPTION	DATE	DWN	APVD
AF	50		A4	REVISED PER ECR-13-017674	12DEC2013	GRZ	JL



SECTION A-A  
SCALE 20:1

- CONTINUOUS STRIP ON REELS.
- DIMENSIONS IN BRACKETS ARE IN INCHES.
- WIRE RANGE: 14000 - 22000 CMA.
- CRIMP WIDTH: .250 F TYPE, CURVED ANVIL  
 CRIMP HEIGHT (±.003)=(TOTAL CMA+36,500)/421,000  
 CRIMP WIDTH: .250 F TYPE, FLAT ANVIL  
 CRIMP HEIGHT (±.003)=(TOTAL CMA+32,700)/421,000  
 CRIMP WIDTH: .270 F TYPE, CURVED OR FLAT ANVIL  
 CRIMP HEIGHT (±.003)=(TOTAL CMA+34,500)/470,600  
 GENERAL APPLICATION GUIDELINES MUST BE FOLLOWED AS SPECIFIED IN CATALOG #82221  
 FOR APPLICATOR INFORMATION CALL:1-800-722-1111  
 FOR PRODUCT INFORMATION CALL:1-800-522-6752

1742898-1  
PART NO

THIS DRAWING IS A CONTROLLED DOCUMENT.		DWN	JR RUTH	02MAY11	<b>STE</b> TE Connectivity			
DIMENSIONS: mm [INCHES]		CHK	KURT RANDOLPH	02MAY11				
TOLERANCES UNLESS OTHERWISE SPECIFIED:		APVD	KURT RANDOLPH	02MAY11	NAME			
0 PLC ± -		PRODUCT SPEC		SPLICE, AMPLIVAR				
1 PLC ± -		APPLICATION SPEC		RESTRICTED TO				
2 PLC ± -		SIZE	A3	CAGE CODE	00779	DRAWING NO	C-1742898	
3 PLC ± 0.38 [.015]		WEIGHT	-		SCALE	6:1	SHEET	1 OF 1
4 PLC ± -		CUSTOMER DRAWING		REV		A4		
ANGLES ± 1° 0'		MATERIAL		FINISH		TIN PLATE		
REF 0.76±0.05		[.030±.002] BRASS						