



Chipsmall Limited consists of a professional team with an average of over 10 year of expertise in the distribution of electronic components. Based in Hongkong, we have already established firm and mutual-benefit business relationships with customers from,Europe,America and south Asia,supplying obsolete and hard-to-find components to meet their specific needs.

With the principle of "Quality Parts,Customers Priority,Honest Operation,and Considerate Service",our business mainly focus on the distribution of electronic components. Line cards we deal with include Microchip,ALPS,ROHM,Xilinx,Pulse,ON,Everlight and Freescale. Main products comprise IC,Modules,Potentiometer,IC Socket,Relay,Connector.Our parts cover such applications as commercial,industrial, and automotives areas.

We are looking forward to setting up business relationship with you and hope to provide you with the best service and solution. Let us make a better world for our industry!



Contact us

Tel: +86-755-8981 8866 Fax: +86-755-8427 6832

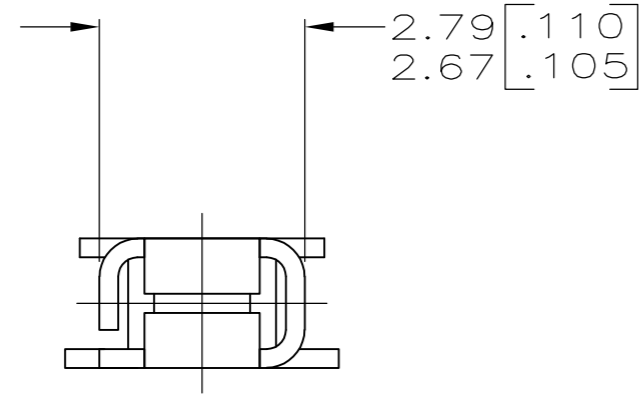
Email & Skype: info@chipsmall.com Web: www.chipsmall.com

Address: A1208, Overseas Decoration Building, #122 Zhenhua RD., Futian, Shenzhen, China

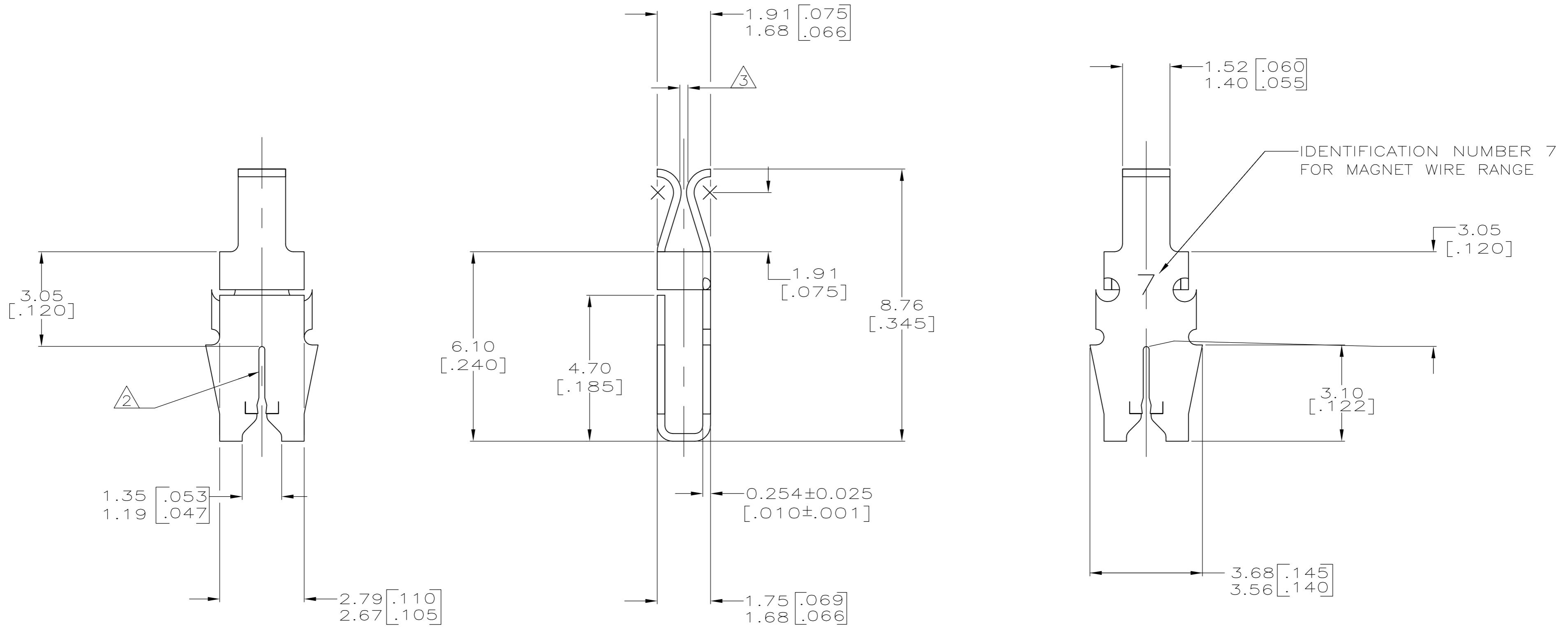


THIS DRAWING IS UNPUBLISHED. RELEASED FOR PUBLICATION
 © COPYRIGHT - By - ALL RIGHTS RESERVED.

LOC		DIST		REVISIONS			
P	LTR	DESCRIPTION		DATE	DWN	APVD	
AF	50	A		REVISED PER ECR-11-021811	16NOV11	KH KR	



- 1 TERMINALS SUPPLIED IN LOOSE PIECE
- 2 SLOT ACCEPTS EITHER A SINGLE OR DOUBLE MAGNET WIRE OF THE SAME SIZE AND TYPE. COPPER RANGE: 0.25-0.32mm [#30-#28] AWG.
- 3 FITS A 0.508±0.025 [.020±.001] THICK TAB.
- 4 PREPRODUCTION - FASR REQUIRED



4 1742910-1
PART NUMBER

THIS DRAWING IS A CONTROLLED DOCUMENT.		DWN	JR RUTH	02AUG11		TE Connectivity		
DIMENSIONS: mm [INCHES]		CHK	KURT A. RANDOLPH	02AUG11		RECEPTACLE, TAB, MAG-MATE,™ LOOSE PIECE		
TOLERANCES UNLESS OTHERWISE SPECIFIED:		APVD	KURT A. RANDOLPH	02AUG11		-		
0 PLC ± - 1 PLC ± - 2 PLC ± 0.25[.010] 3 PLC ± - 4 PLC ± - ANGLES ± -		PRODUCT SPEC	108-2012			SIZE	CAGE CODE	DRAWING NO
MATERIAL: H04 PHOS. BRONZE		FINISH	0.002032[.000080] MIN TIN PLATE		WEIGHT	-		RESTRICTED TO
		CUSTOMER DRAWING		SCALE	10:1		SHEET 1 of 1	REV A