



Chipsmall Limited consists of a professional team with an average of over 10 year of expertise in the distribution of electronic components. Based in Hongkong, we have already established firm and mutual-benefit business relationships with customers from,Europe,America and south Asia,supplying obsolete and hard-to-find components to meet their specific needs.

With the principle of “Quality Parts,Customers Priority,Honest Operation,and Considerate Service”,our business mainly focus on the distribution of electronic components. Line cards we deal with include Microchip,ALPS,ROHM,Xilinx,Pulse,ON,Everlight and Freescale. Main products comprise IC,Modules,Potentiometer,IC Socket,Relay,Connector.Our parts cover such applications as commercial,industrial, and automotives areas.

We are looking forward to setting up business relationship with you and hope to provide you with the best service and solution. Let us make a better world for our industry!



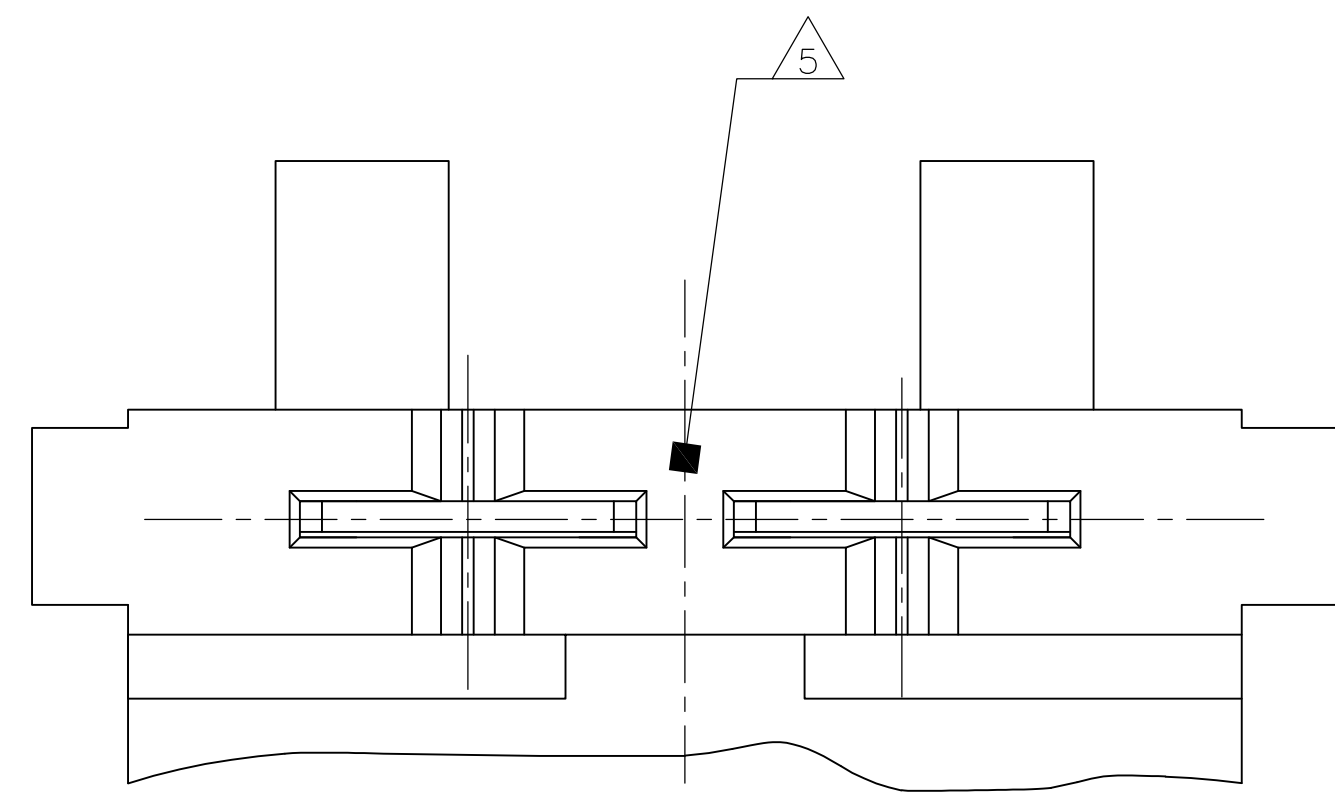
Contact us

Tel: +86-755-8981 8866 Fax: +86-755-8427 6832

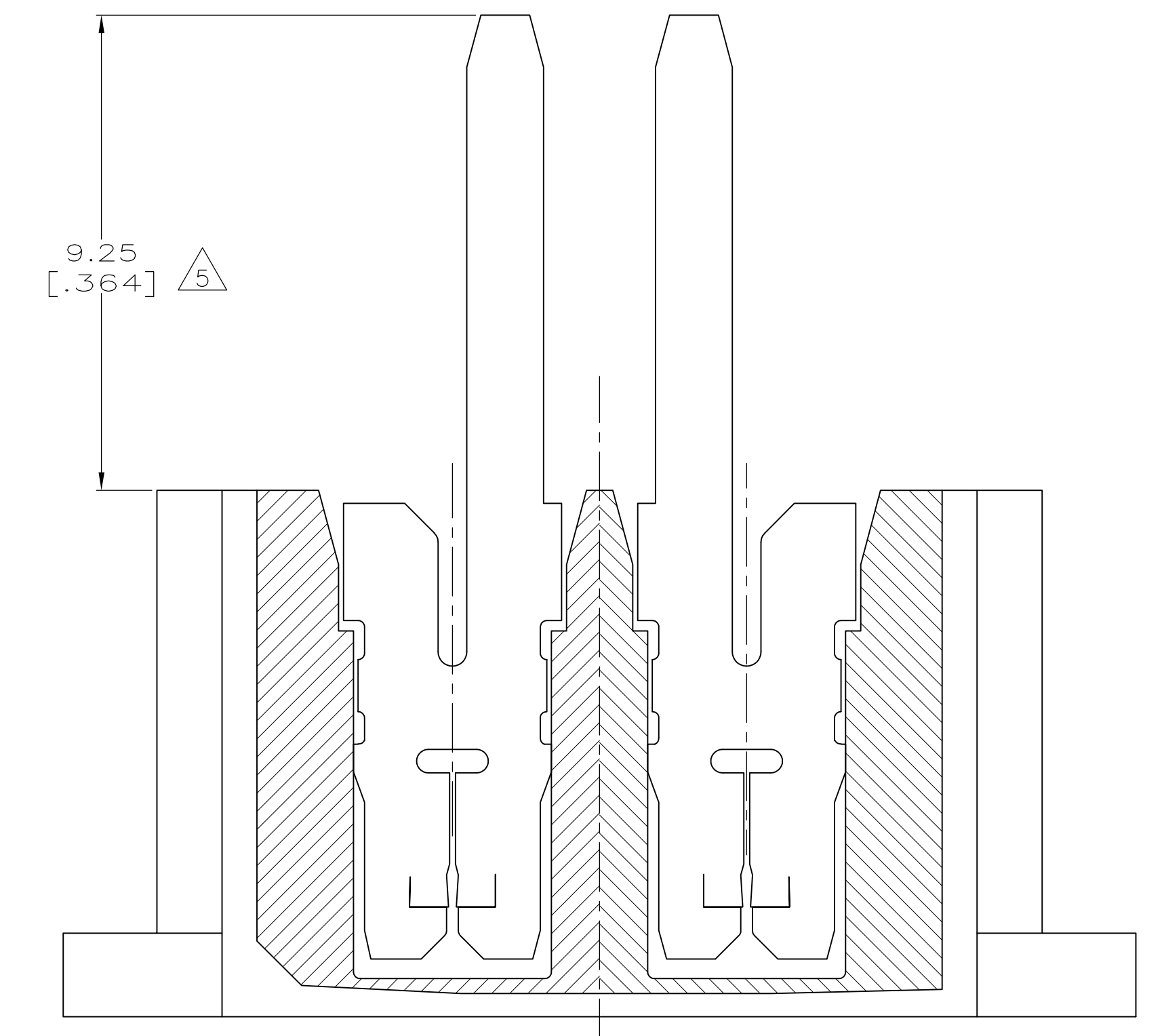
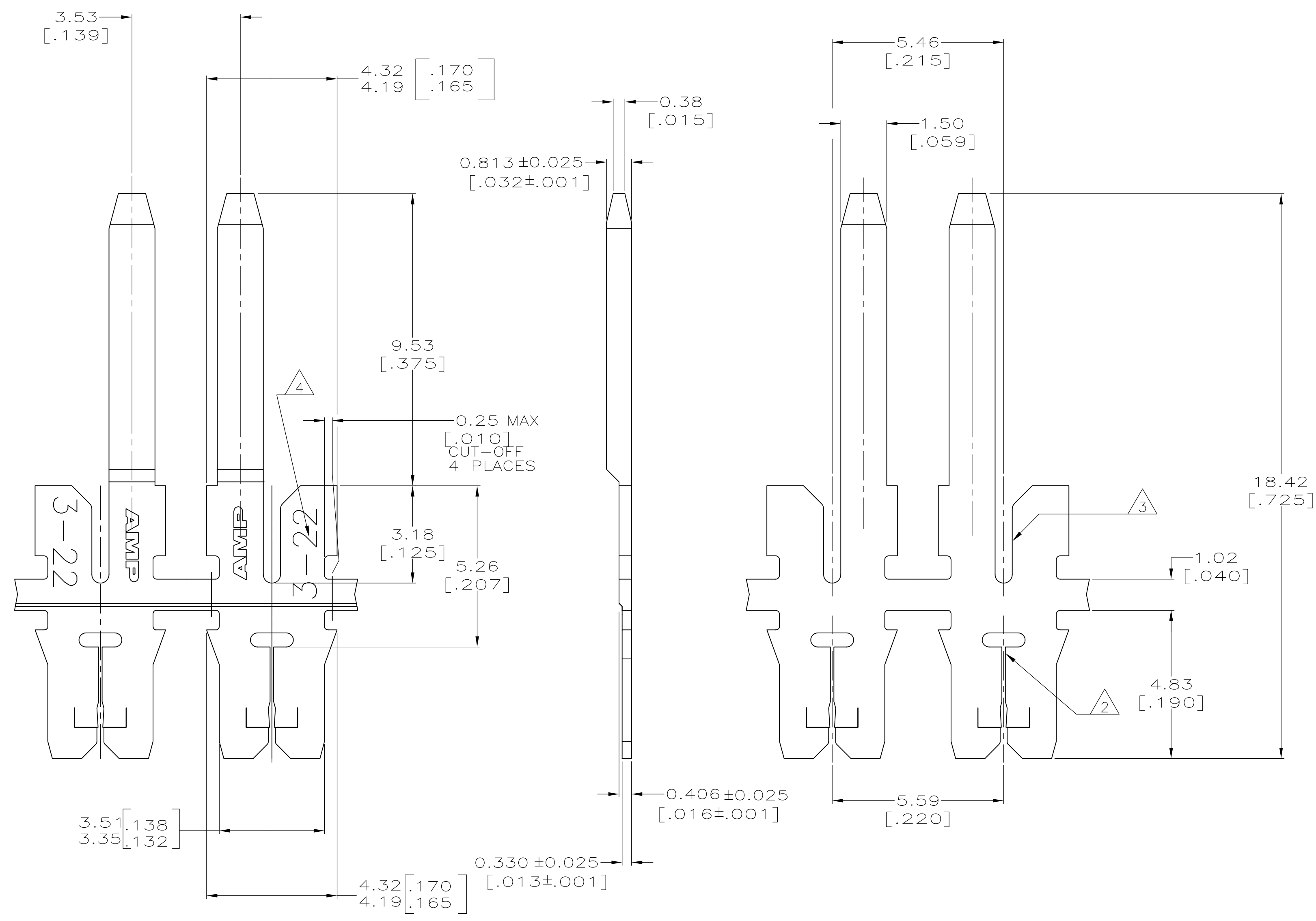
Email & Skype: info@chipsmall.com Web: www.chipsmall.com

Address: A1208, Overseas Decoration Building, #122 Zhenhua RD., Futian, Shenzhen, China





- 1 CONTINUOUS STRIP ON REELS WITH TERMINALS LOCATED ON 11.18±0.08 [.440±.003] CENTERS
- 2 SLOTS ACCEPTS 0.16 - 0.18mm [#34-#33] AWG COPPER MAGNET WIRE. TWO WIRES OF THE SAME SIZE MAX PER SLOT.
- 3 SLOT ACCEPTS A SINGLE 0.6mm [#22.5]AWG SOLID BARE COPPER WIRE
- 4 IDENTIFICATION NUMBER 3-22. 3 FOR THE MAGNET WIRE SLOT SIZE AND 22 FOR THE LEADWIRE SLOT SIZE
- 5 POINT OF MEASUREMENT, LOCATED APPROXIMATELY AS SHOWN



INSERTION SPECIFICATION

1742941-1
PART NUMBER

THIS DRAWING IS A CONTROLLED DOCUMENT.		DRN JR_RUTH 30NOV11	TE Connectivity	
DIMENSIONS: mm [INCHES]		CHK K_RANDOLPH 30NOV11	NAME K_RANDOLPH 30NOV11	
TOLERANCES UNLESS OTHERWISE SPECIFIED:		PRODUCT SPEC 108-1484		
0 PLC ± - 1 PLC ± - 2 PLC ± 0.13[.005] 3 PLC ± - 4 PLC ± - ANGLES ± -		APPLICATION SPEC		
MATERIAL 4M PRE-MILLED BRASS		FINISH 0.002032[.000080] MIN TIN PLATE		SIZE CAGE CODE DRAWING NO A1 00779 C=1742941
CUSTOMER DRAWING		SCALE 10:1		RESTRICTED TO SHEET 1 OF 1 REV A1