



Chipsmall Limited consists of a professional team with an average of over 10 year of expertise in the distribution of electronic components. Based in Hongkong, we have already established firm and mutual-benefit business relationships with customers from,Europe,America and south Asia,supplying obsolete and hard-to-find components to meet their specific needs.

With the principle of “Quality Parts,Customers Priority,Honest Operation,and Considerate Service”,our business mainly focus on the distribution of electronic components. Line cards we deal with include Microchip,ALPS,ROHM,Xilinx,Pulse,ON,Everlight and Freescale. Main products comprise IC,Modules,Potentiometer,IC Socket,Relay,Connector.Our parts cover such applications as commercial,industrial, and automotives areas.

We are looking forward to setting up business relationship with you and hope to provide you with the best service and solution. Let us make a better world for our industry!



Contact us

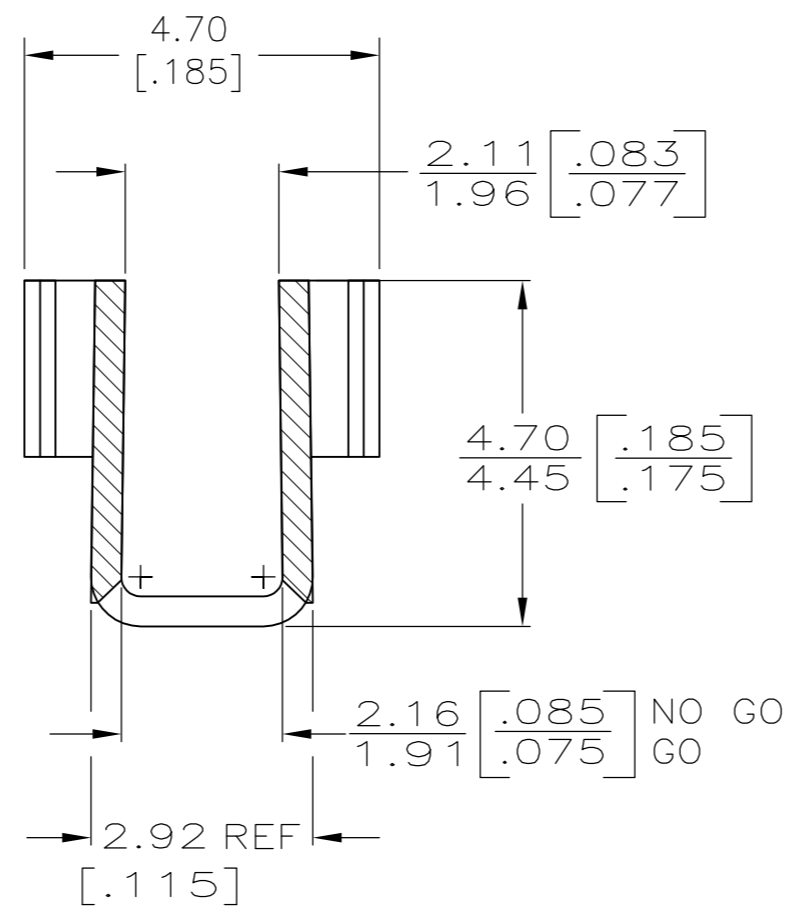
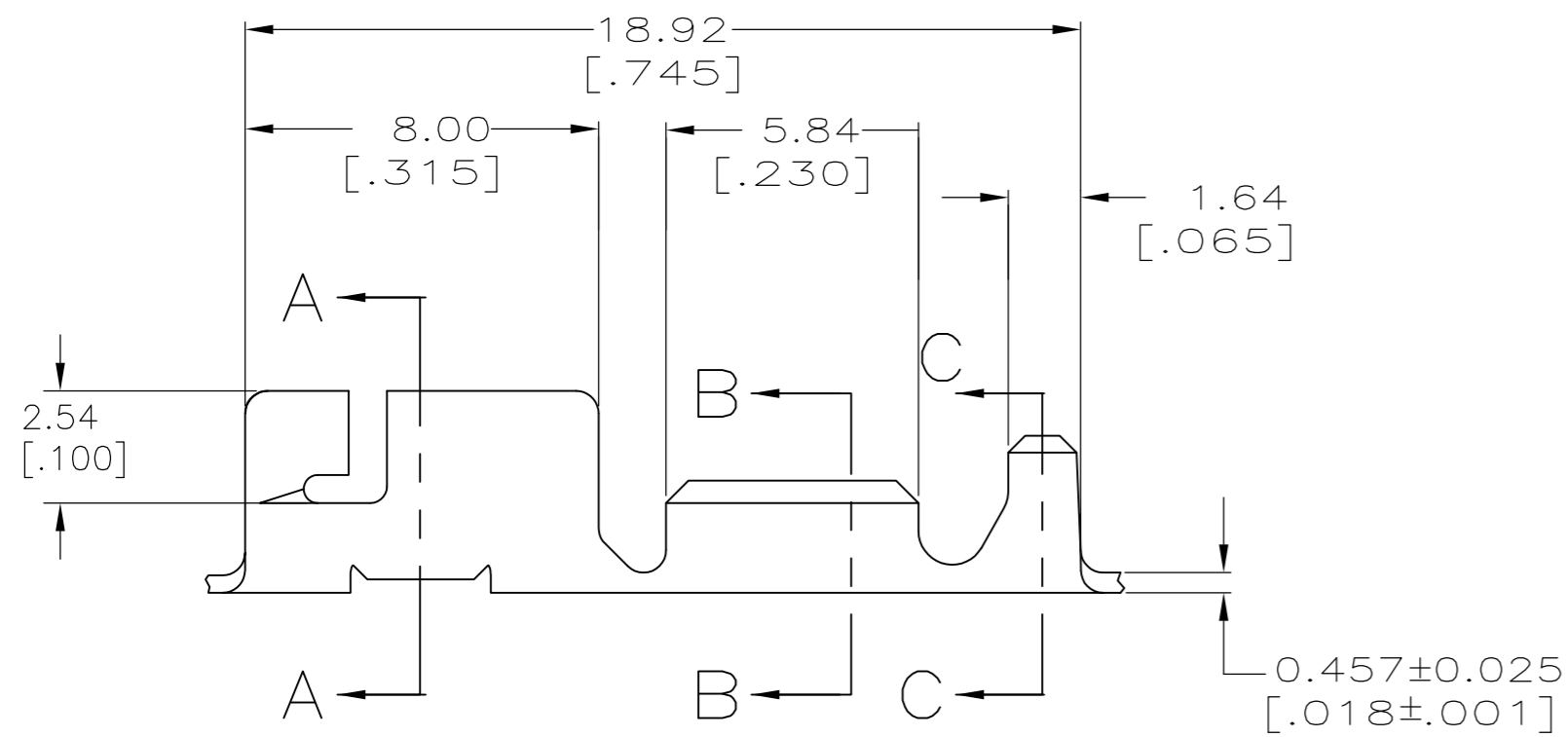
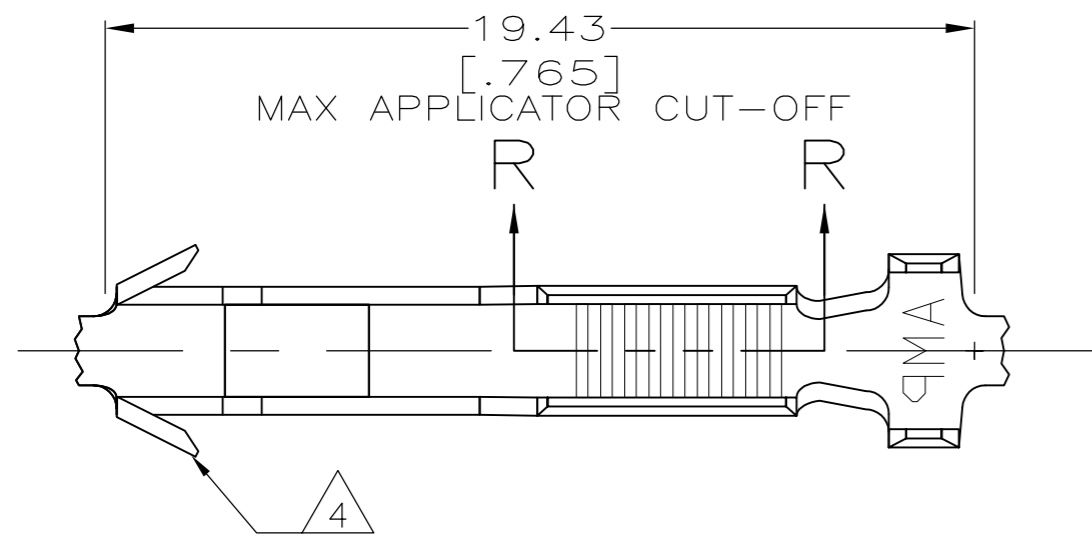
Tel: +86-755-8981 8866 Fax: +86-755-8427 6832

Email & Skype: info@chipsmall.com Web: www.chipsmall.com

Address: A1208, Overseas Decoration Building, #122 Zhenhua RD., Futian, Shenzhen, China

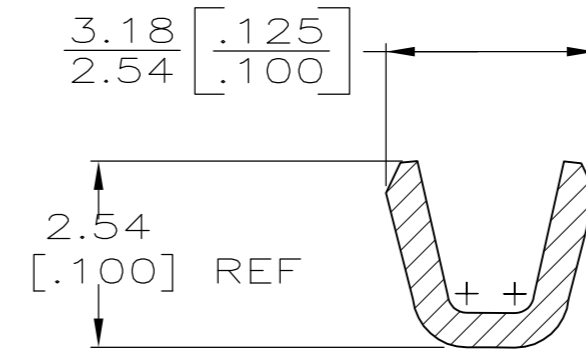


LOC	DIST	REVISIONS			
P	LTR	DESCRIPTION	DATE	DWN	APVD
AF	52	B	REVISED PER ECR-14-006300	28AUG2014	MKD/RRP

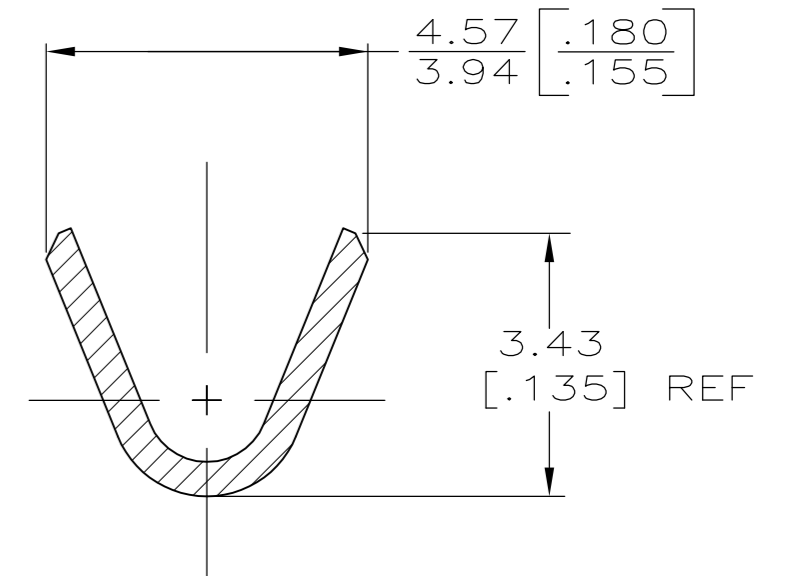


SECTION A-A
SCALE 10:1

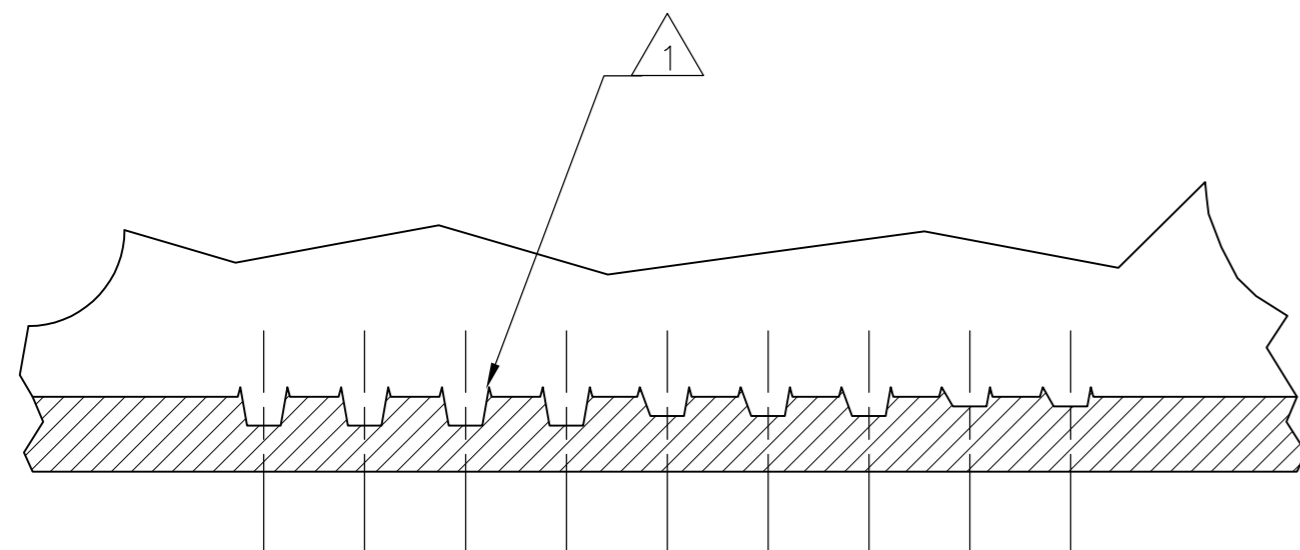
- 1 AMPLIVAR SERRATIONS CONNECT UP TO 3 COPPER OR ALUMINUM MAGNET WIRES WITHOUT THE NEED TO REMOVE THE INSULATION
- 2 CONTACT TE ENGINEERING FOR ALUMINUM MAGNET WIRE
- 3 SUPPLIED AS CONTINUOUS STRIP WITH TERMINALS ON 21.21[.835] CENTERS.
- 4 HIGH RETENTION FEATURE



SECTION B-B
SCALE 10:1



SECTION C-C
SCALE 10:1



SECTION R-R
SCALE 25:1

1.52-2.54 [.060-.100] DIA	400-1600 CMA COPPER	1742981-1
INSULATION RANGE	CMA WIRE RANGE	PART NUMBER

THIS DRAWING IS A CONTROLLED DOCUMENT.		DWN JR RUTH 08JUN12	TE Connectivity	
DIMENSIONS: mm [INCHES]		CHK GENE JACONO 08JUN12	NAME	
TOLERANCES UNLESS OTHERWISE SPECIFIED:		APVD GENE JACONO 08JUN12	PRODUCT SPEC	
0 PLC ± -	1 PLC ± -	108-2008		
2 PLC ± 0.25[.010]	3 PLC ± -	APPLICATION SPEC		
4 PLC ± -	ANGLES ± -	114-2019		
MATERIAL H03 TIN-BRASS	FINISH TIN PLATED	WEIGHT -	SIZE A2	CAGE CODE 00779
CUSTOMER DRAWING		DRAWING NO C=1742981	RESTRICTED TO -	SCALE 6:1
		SHEET 1 of 1	REV B	