



Chipsmall Limited consists of a professional team with an average of over 10 year of expertise in the distribution of electronic components. Based in Hongkong, we have already established firm and mutual-benefit business relationships with customers from,Europe,America and south Asia,supplying obsolete and hard-to-find components to meet their specific needs.

With the principle of “Quality Parts,Customers Priority,Honest Operation,and Considerate Service”,our business mainly focus on the distribution of electronic components. Line cards we deal with include Microchip,ALPS,ROHM,Xilinx,Pulse,ON,Everlight and Freescale. Main products comprise IC,Modules,Potentiometer,IC Socket,Relay,Connector.Our parts cover such applications as commercial,industrial, and automotives areas.

We are looking forward to setting up business relationship with you and hope to provide you with the best service and solution. Let us make a better world for our industry!



Contact us

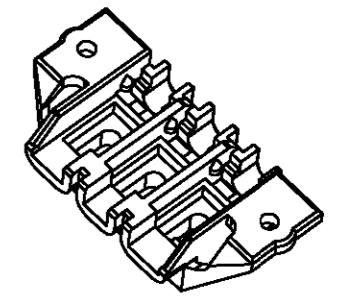
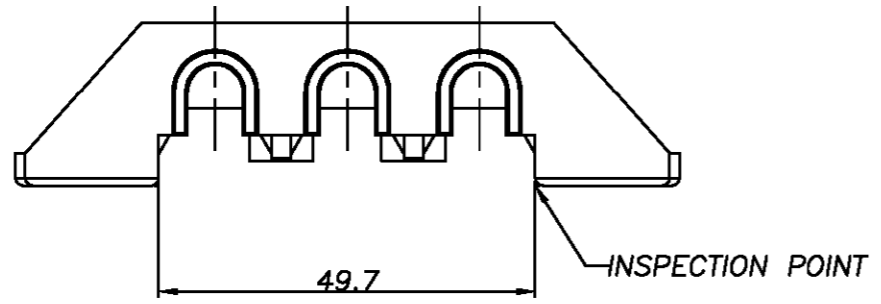
Tel: +86-755-8981 8866 Fax: +86-755-8427 6832

Email & Skype: info@chipsmall.com Web: www.chipsmall.com

Address: A1208, Overseas Decoration Building, #122 Zhenhua RD., Futian, Shenzhen, China

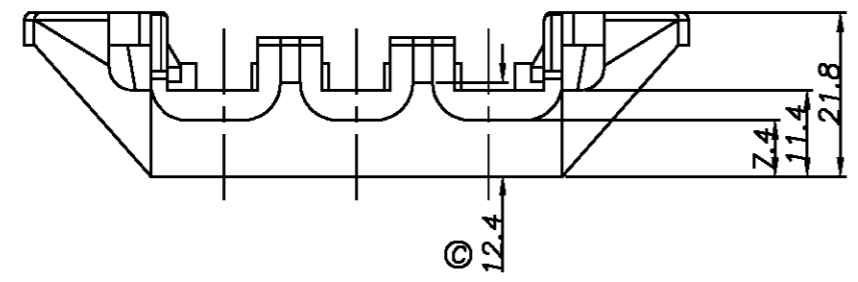
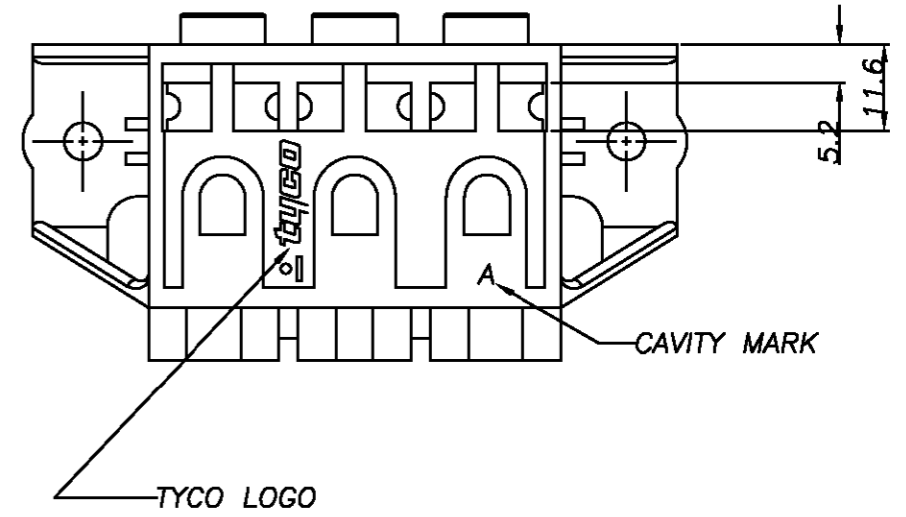
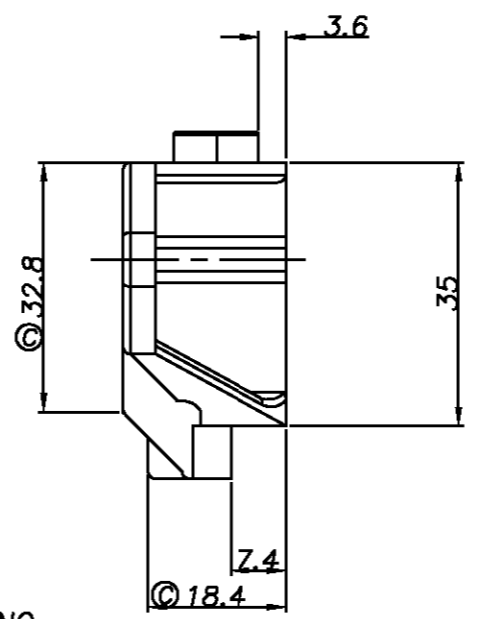
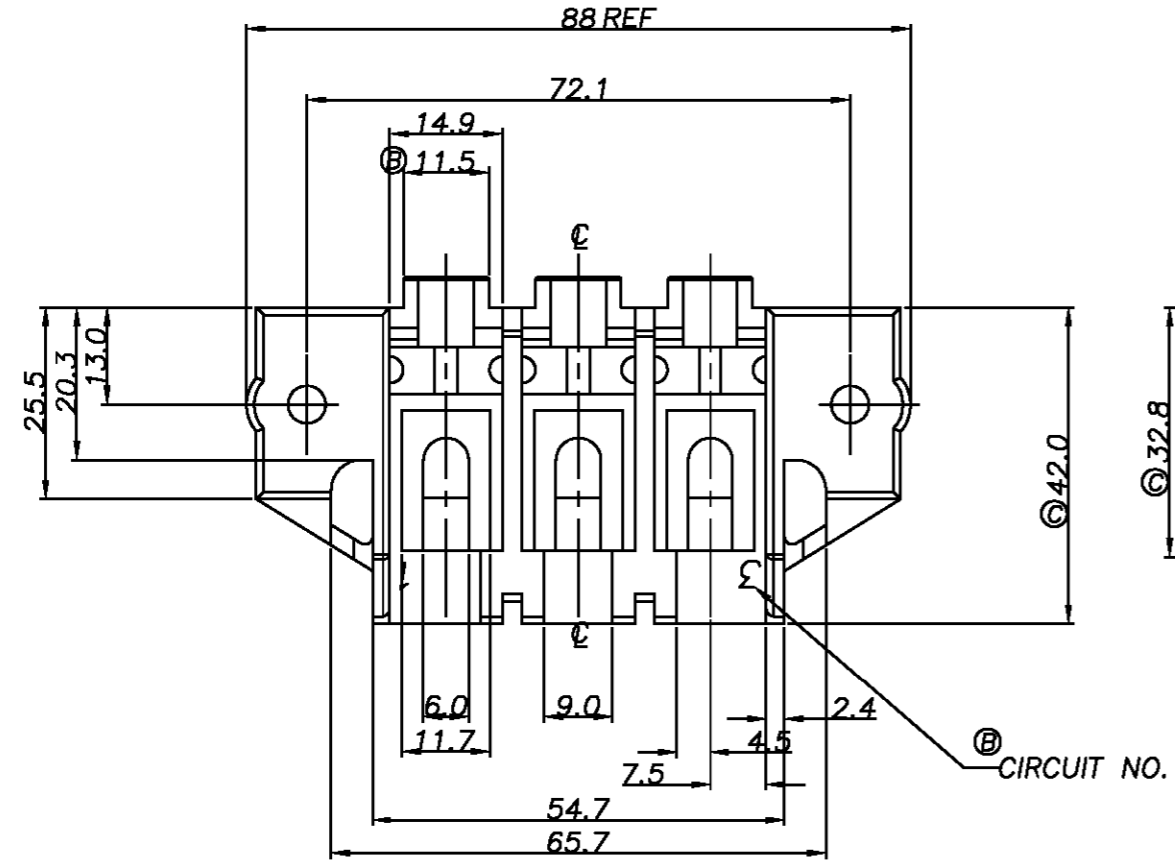


LOC	DIST	REVISIONS					
		P	LTR	DESCRIPTION	DATE	JWN	APVD
DS			C	REVISED PER FC00-0313-04	DEC.03'04	BH	CS



NOTES

- 1.MATERIAL: PHENOLIC
- 2.GENERAL TOLERANCES: $\pm 0.3, \pm 3'$
- 3.CAVITY MARK SHALL BE LOCATED APPROX. AS SHOWN.
- 4.APPLICABLE CONTACT P/N : 521665-2



PHENOLIC	BLACK	1743067-1
MATERIAL	COLOR	P/N

<small>THIS DRAWING IS A CONTROLLED DOCUMENT FOR TYCO ELECTRONICS CORPORATION. IT IS SUBJECT TO CHANGE AND THE CONTROLLING ENGINEERING ORGANIZATION SHOULD BE CONTACTED FOR THE LATEST REVISION.</small>		DVN :BH CHO CHK:BW KANG APVD :CS LEE PRODUCT SPEC APPLICATION SPEC WEIGHT		tyco Electronics AMP KOREA. kyungsan, korea	
DIMENSIONS: MM TOLERANCES UNLESS OTHERWISE SPECIFIED ANGLES FINISH SEE NOTE		NAME Terminal Block for Dryer		SIZE CAGE CODE DRAWING NO RESTRICTED TO A3 00779 C= 1743067	
		SCALE 1/1		SHEET 1 OF 1 REV C	