



Chipsmall Limited consists of a professional team with an average of over 10 year of expertise in the distribution of electronic components. Based in Hongkong, we have already established firm and mutual-benefit business relationships with customers from,Europe,America and south Asia,supplying obsolete and hard-to-find components to meet their specific needs.

With the principle of "Quality Parts,Customers Priority,Honest Operation,and Considerate Service",our business mainly focus on the distribution of electronic components. Line cards we deal with include Microchip,ALPS,ROHM,Xilinx,Pulse,ON,Everlight and Freescale. Main products comprise IC,Modules,Potentiometer,IC Socket,Relay,Connector.Our parts cover such applications as commercial,industrial, and automotives areas.

We are looking forward to setting up business relationship with you and hope to provide you with the best service and solution. Let us make a better world for our industry!



## Contact us

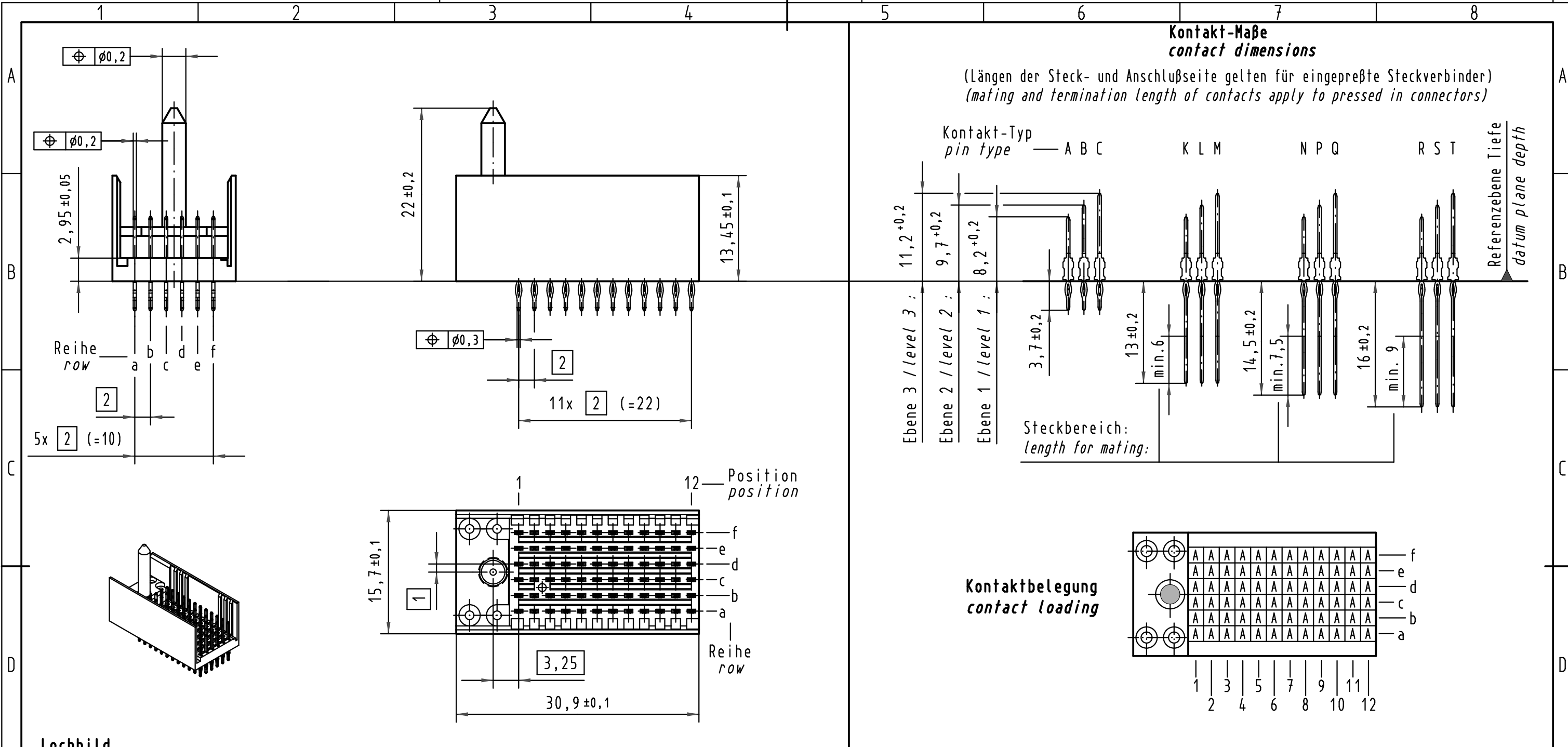
Tel: +86-755-8981 8866 Fax: +86-755-8427 6832

Email & Skype: info@chipsmall.com Web: www.chipsmall.com

Address: A1208, Overseas Decoration Building, #122 Zhenhua RD., Futian, Shenzhen, China

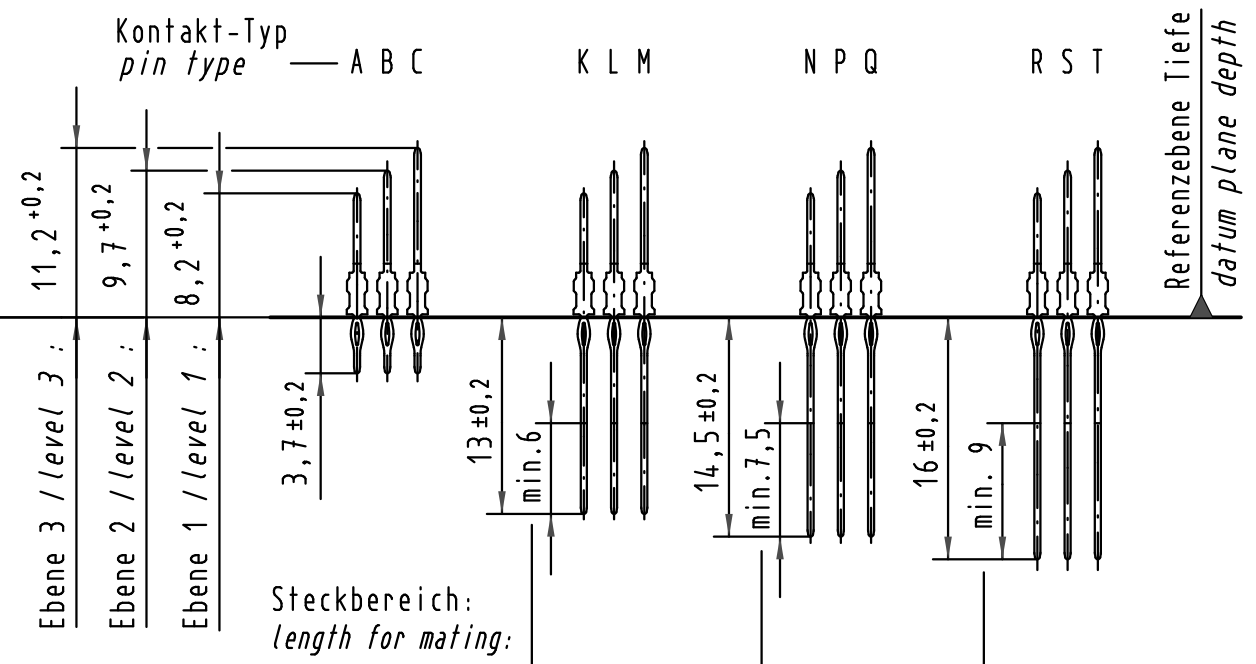


Alle Rechte vorbehalten/ All rights reserved

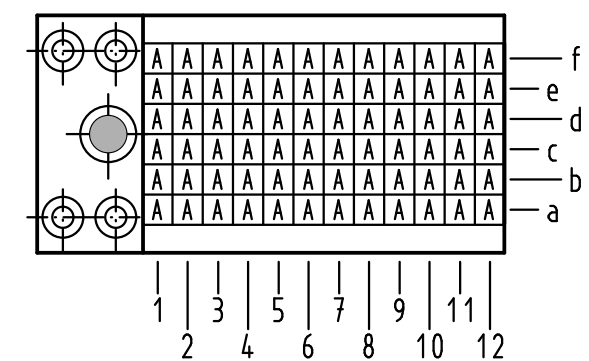


**Kontakt-Maße**  
*contact dimensions*

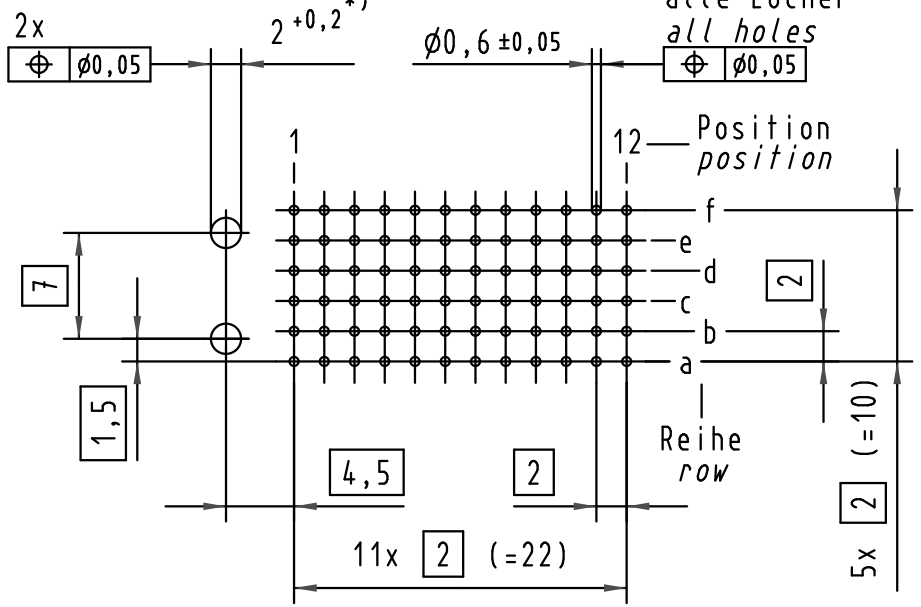
(Längen der Steck- und Anschlußseite gelten für eingepreßte Steckverbinder)  
(mating and termination length of contacts apply to pressed in connectors)



**Kontaktbelegung**  
*contact loading*



**Lochbild**  
*board drillings*



\*) Löcher nicht metallisiert  
*non-metallized drillings*

Bohrlochdurchmesser:  $\phi 0,7 \pm 0,02$   
Lochdurchmesser (mit Oberfläche):  $\phi 0,6 \pm 0,05$   
drill hole dia.:  $\phi 0,7 \pm 0,02$   
finished hole dia. (after plating):  $\phi 0,6 \pm 0,05$

17 43 072 4209	-	min. 0,127µm Au over min. 0,635µm (25µin) PdNi over min. 1,27µm (50µin) Ni
17 43 072 2209	2	Au flash over PdNi over Ni
17 43 072 1209	1	Au flash over PdNi over Ni
Bestell-Nr. part-no.	Anforderungsstufe nach IEC performance level acc. to IEC	Kontaktoberfläche contact plating

		Techn. Character.		Nicht tolerierte Maßel Free size tolerances	
Mod.	Dat.	Name	Maßstab/Scale	har-bus HM Messerleiste mit Flansch 6-reihig, 72 pol., Anschlußlänge 3,7mm, ohne Kodierung <i>har-bus HM male connector with guide</i> 6-row, 72 pol., termination length 3,7mm, without coding	
34337	11.05.07	Hage.	2:1		
31807					
HARTING Electronics GmbH & Co. KG D-32339 ESPELKAMP				TB 17 43 072 x209	
				Sub.	Blatt/ page