



Chipsmall Limited consists of a professional team with an average of over 10 year of expertise in the distribution of electronic components. Based in Hongkong, we have already established firm and mutual-benefit business relationships with customers from,Europe,America and south Asia,supplying obsolete and hard-to-find components to meet their specific needs.

With the principle of “Quality Parts,Customers Priority,Honest Operation,and Considerate Service”,our business mainly focus on the distribution of electronic components. Line cards we deal with include Microchip,ALPS,ROHM,Xilinx,Pulse,ON,Everlight and Freescale. Main products comprise IC,Modules,Potentiometer,IC Socket,Relay,Connector.Our parts cover such applications as commercial,industrial, and automotives areas.

We are looking forward to setting up business relationship with you and hope to provide you with the best service and solution. Let us make a better world for our industry!



## Contact us

Tel: +86-755-8981 8866 Fax: +86-755-8427 6832

Email & Skype: info@chipsmall.com Web: www.chipsmall.com

Address: A1208, Overseas Decoration Building, #122 Zhenhua RD., Futian, Shenzhen, China



4

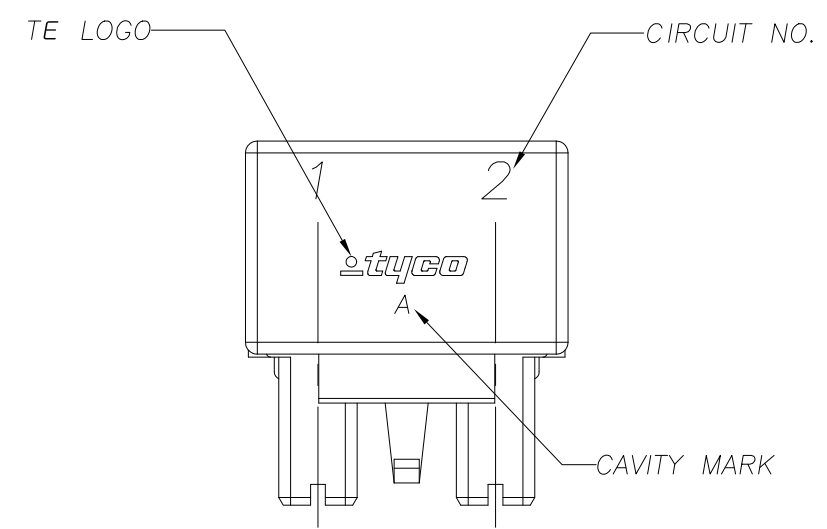
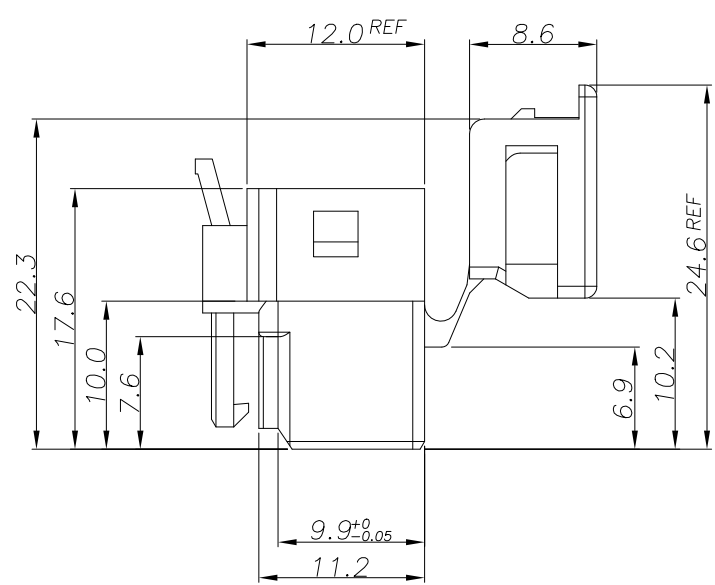
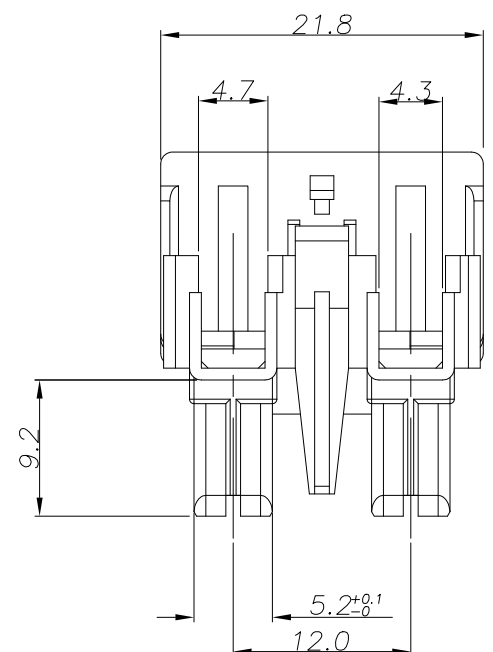
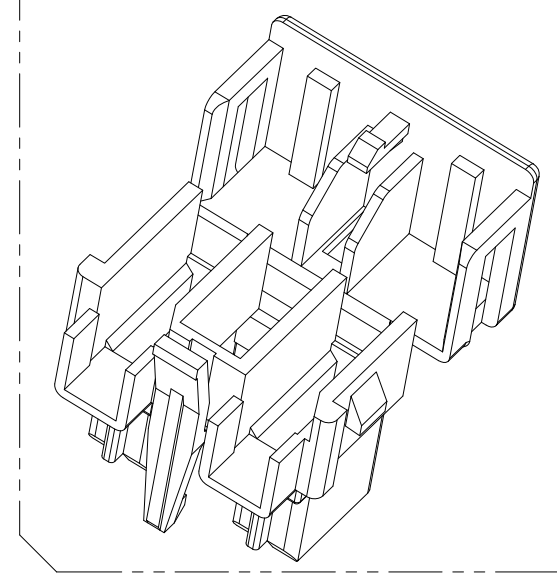
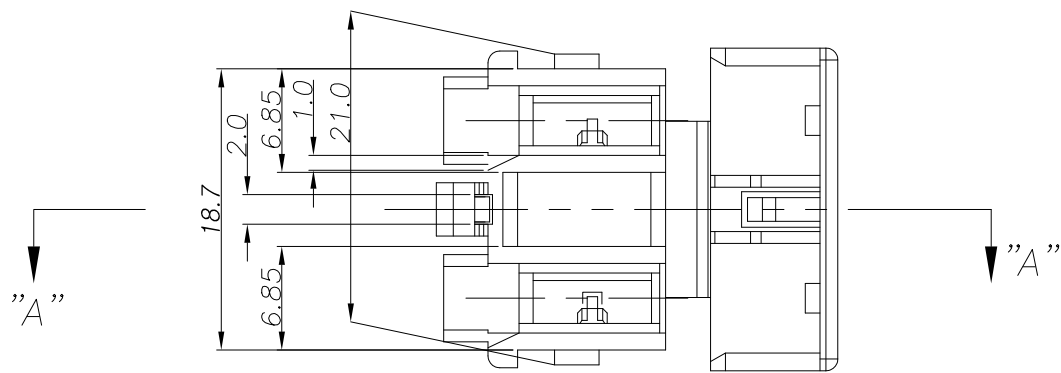
3

2

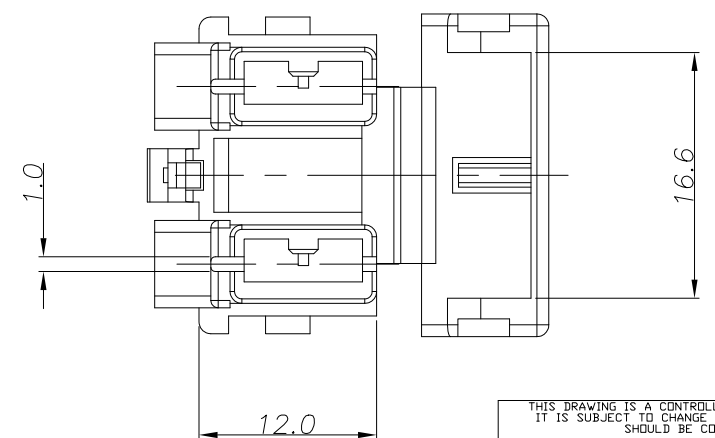
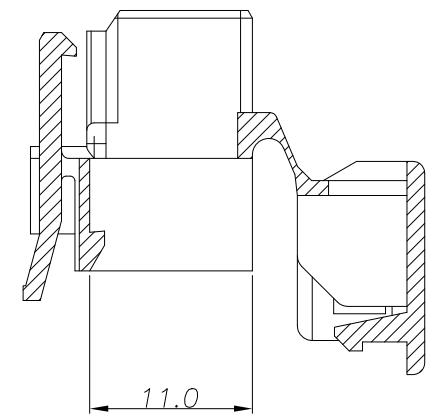
1

THIS DRAWING IS UNPUBLISHED. RELEASED FOR PUBLICATION  
© COPYRIGHT BY TYCO ELECTRONICS CORPORATION, ALL RIGHTS RESERVED.

LOC	DIST	REVISIONS					
DS	-	P	LTR	DESCRIPTION	DATE	DWN	APVD
		E		REVISED (ECR-09-002586)	10FEB.'09	BH	JK



NOTES  
1. APPLICABLE CONTACT P/N : 1743221-1



①	1-1743165-8	6/6 NYLON(GWT)	BLUE
①	1-1743165-5	6/6 NYLON(GWT)	YELLOW
	1-1743165-2	6/6 NYLON(GWT)	BLACK
	1-1743165-1	6/6 NYLON(GWT)	NATURAL
	1743165-8	6/6 NYLON	BLUE
	1743165-5	6/6 NYLON	YELLOW
	1743165-2	6/6 NYLON	BLACK
	1743165-1	6/6 NYLON	NATURAL
	P/N	MATERIAL	COLOR

DIMENSIONS: MM		TOLERANCES UNLESS OTHERWISE SPECIFIED:		DWN BH CHO		Tyco Electronics		AMP KOREA, Kyungsan, Korea	
	0 <XX<10	± 0.2	APVD JK SONG PRODUCT SPEC 108-61065 APPLICATION SPEC - WEIGHT - CUSTOMER DRAWING	CHK BW KANG		NAME 250 FLAG P/LOCK-EX (Pitch=12mm) 2P WITH LOCK TYPE		RESTRICTED TO	
	10<XX<30	± 0.25		APVD JK SONG				-	
	30<XX	± 0.3		PRODUCT SPEC 108-61065		SIZE		-	
	ANGLES	± 3°		APPLICATION SPEC -		CAGE CODE		-	
MATERIAL		FINISH		WEIGHT		DRAWING NO		-	
SEE TABLE		-		-		A3 00779		-	
				SCALE 2/1		SHEET 1 OF 1		REV E	