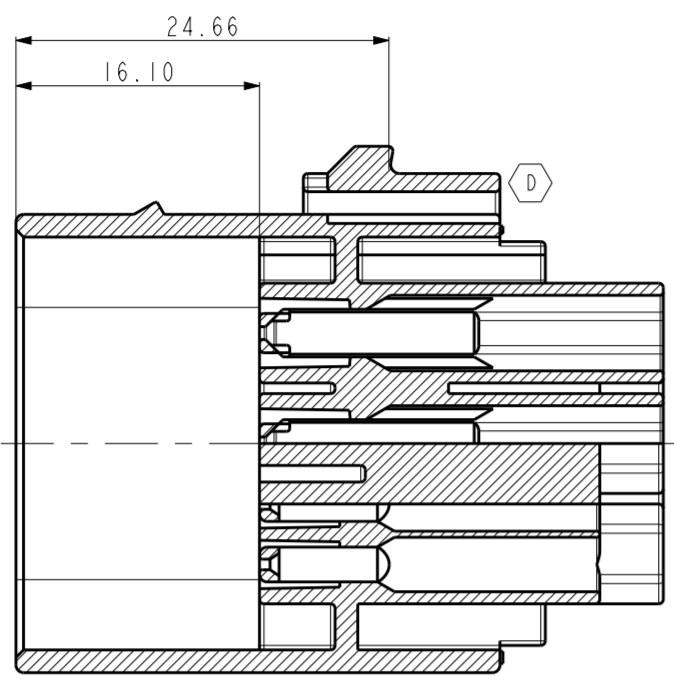
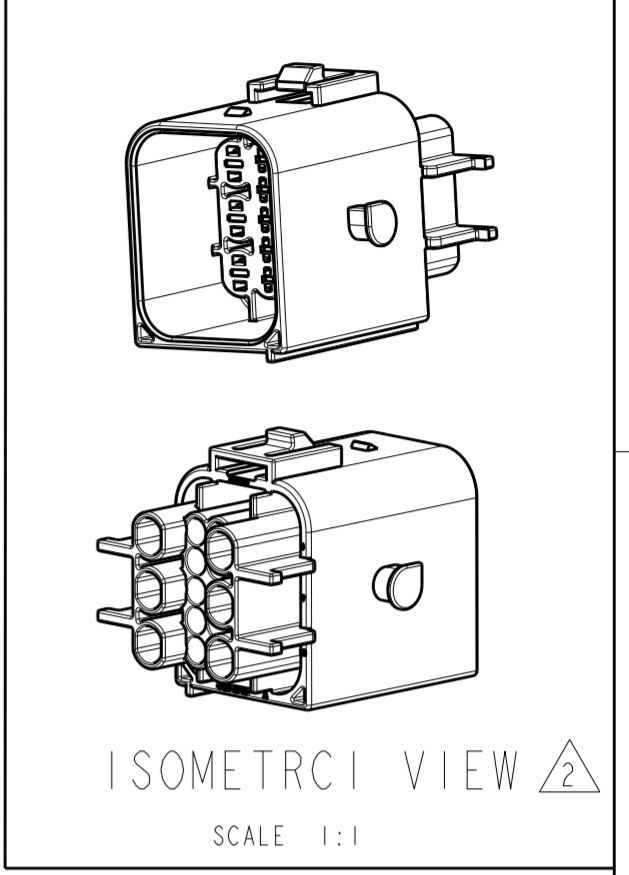
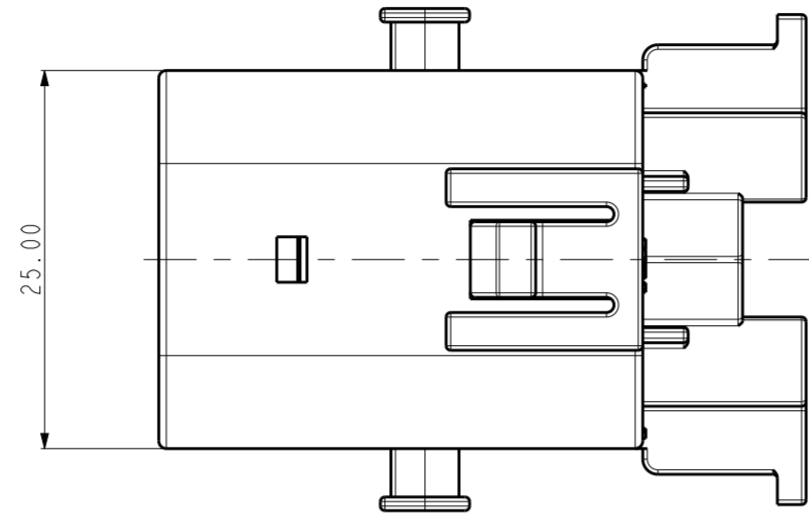


THIS DRAWING IS UNPUBLISHED. RELEASED FOR PUBLICATION 2016  
 © COPYRIGHT 2005 BY TE CONNECTIVITY ALL RIGHTS RESERVED.

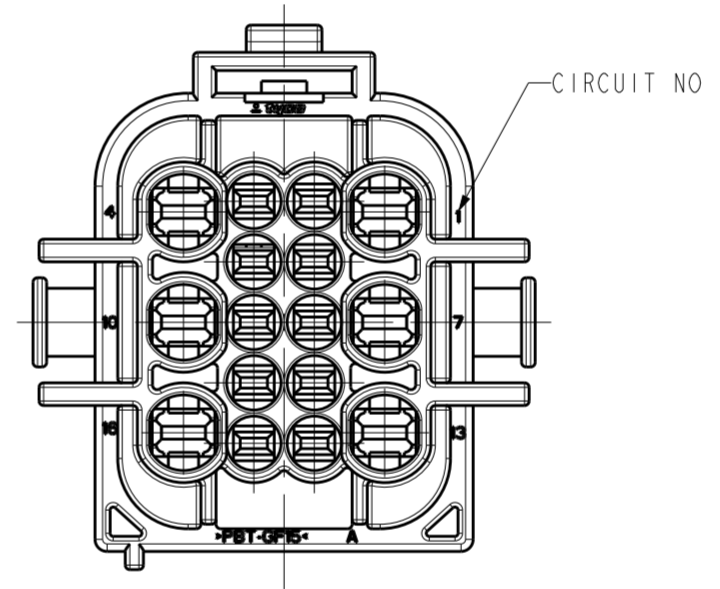
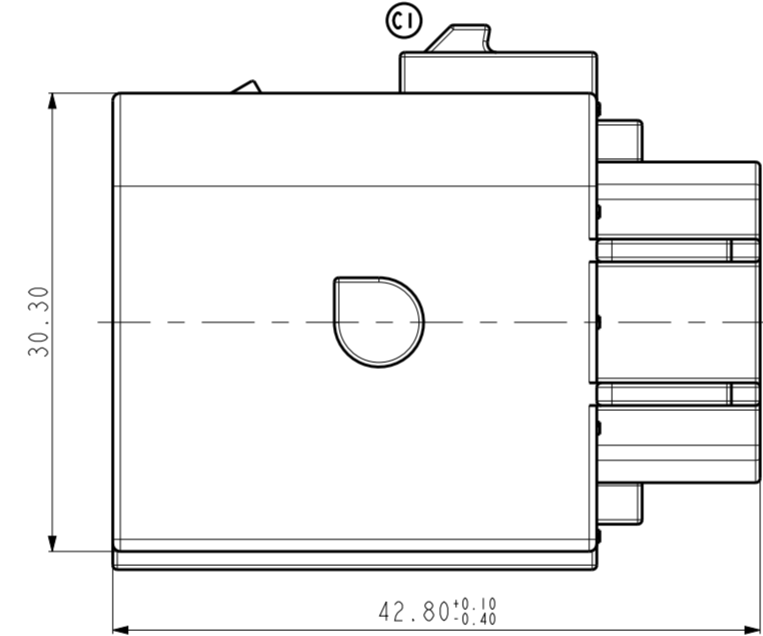
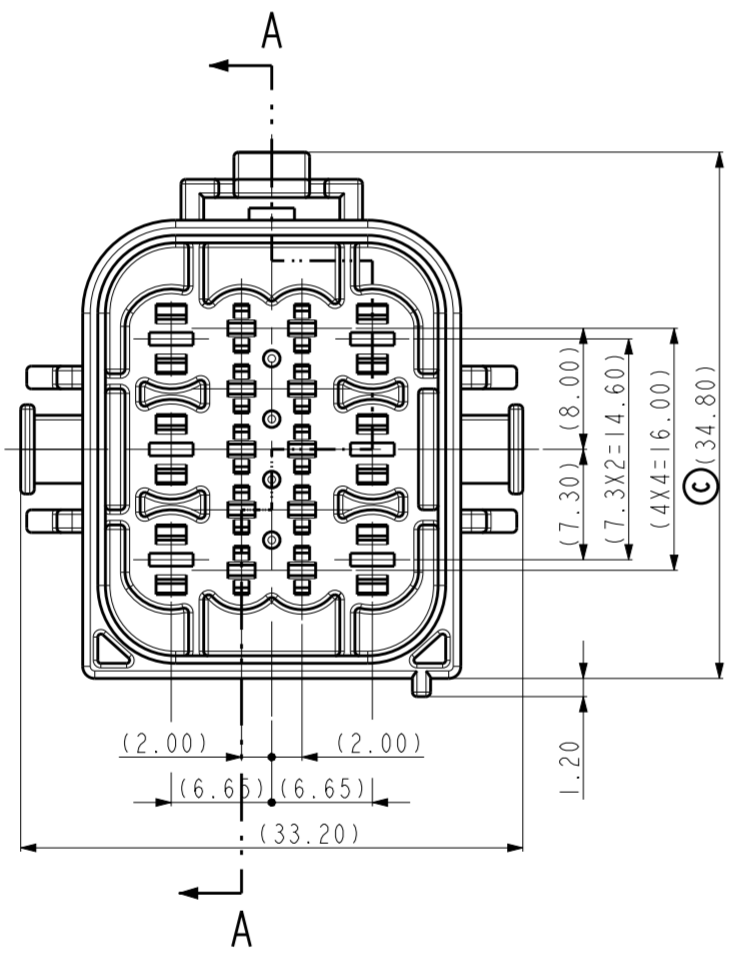
REVISIONS				
P	LTR	DESCRIPTION	DATE	APVD
C1		REVISED (ECR-11-009078)	02/MAY/11	SJ HG
C2		REVISED (ECR-16-010603)	22JUL2016	JM JW
C3		REVISED (ECR-17-007056)	18MAY2017	JM JW
D		REVISED (ECR-18-009887)	25MAR2019	YH YJ



SECTION A-A



ISOMETRIC VIEW  
SCALE 1:1



<TABLE 2>

TYPE	PART NO.	WIRE INSULATION DIAMETER (mm)	COLOR
MTII	964971-1	1.2~1.6	RED
	963530-1	1.4~1.9	GRAY
	963531-1	CAVITY PLUG	WHITE
JPT	828904-1	1.2~2.1	BLUE
	828905-1	2.2~3.0	WHITE
	828922-1	CAVITY PLUG	NATURAL

<TABLE 1>

TYPE	PART NO.	WIRE SIZE (mm <sup>2</sup> )	FINISH
MTII	0-963902-1	0.25~0.5	CuSn4
	0-963902-3		CuSn4(GOLD)
	0-963904-1	0.5~1.0	CuSn4
	0-963904-3		CuSn4(GOLD)
JPT	1-962915-1	0.5~0.85	CuSn4
	1-962915-3		CuSn(GOLD)
	1-962916-1	1.25~2.0	CuSn4
1-962916-3	CuSn(GOLD)		

- NOTES:  
 1. GENERAL TOLERANCE : ±0.3, ±3°  
 2. CONDITION OF DELIVERY  
 3. APPLICABLE PLUG ASS'Y P/N : X-1743350-X  
 APPLICABLE WIRE COVER P/N : X-1743355-X  
 4. APPLICABLE RECEPTACLE CONTACT P/N : TABLE 1  
 5. APPLICABLE WIRE SEAL P/N : TABLE 2

P/N	DESCRIPTION	MATERIAL	COLOR
1743354-3	CAP HSG	PBT GF15	GRAY
1743354-2	CAP HSG	PBT GF15	BLACK

THIS DRAWING IS A CONTROLLED DOCUMENT.		DWN CH PARK	TE Connectivity	
DIMENSIONS: mm		CHK BM JANG		
TOLERANCES UNLESS OTHERWISE SPECIFIED		APVD JK SONG	NAME CAP HOUSING FOR MTII/JPT HYBRID SEALED 16P CONN'R	
3rd ANGLE PROJECTION		PRODUCT SPEC	SIZE CAGE CODE DRAWING NO RESTRICTED TO	
MATERIAL		APPLICATION SPEC	A2 00779 C-1743354	
		WEIGHT	SCALE 2:1 SHEET 1 OF 1 REV D	
		CUSTOMER DRAWING		