



Chipsmall Limited consists of a professional team with an average of over 10 year of expertise in the distribution of electronic components. Based in Hongkong, we have already established firm and mutual-benefit business relationships with customers from,Europe,America and south Asia,supplying obsolete and hard-to-find components to meet their specific needs.

With the principle of “Quality Parts,Customers Priority,Honest Operation,and Considerate Service”,our business mainly focus on the distribution of electronic components. Line cards we deal with include Microchip,ALPS,ROHM,Xilinx,Pulse,ON,Everlight and Freescale. Main products comprise IC,Modules,Potentiometer,IC Socket,Relay,Connector.Our parts cover such applications as commercial,industrial, and automotives areas.

We are looking forward to setting up business relationship with you and hope to provide you with the best service and solution. Let us make a better world for our industry!



Contact us

Tel: +86-755-8981 8866 Fax: +86-755-8427 6832

Email & Skype: info@chipsmall.com Web: www.chipsmall.com

Address: A1208, Overseas Decoration Building, #122 Zhenhua RD., Futian, Shenzhen, China



REVISIONS				
P	LTR	DESCRIPTION	DATE	APVD
B2		REVISED PER ECR-16-001910	22SEP206	SC BW

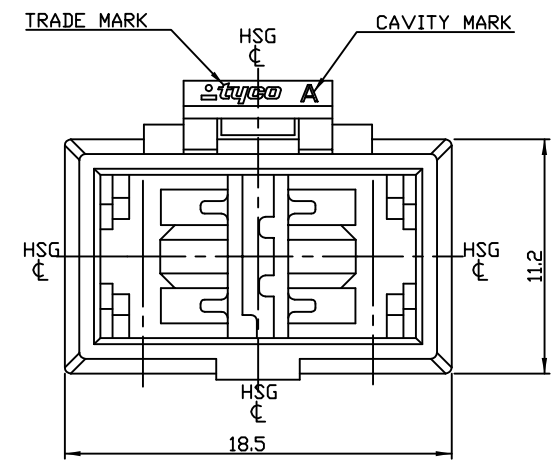
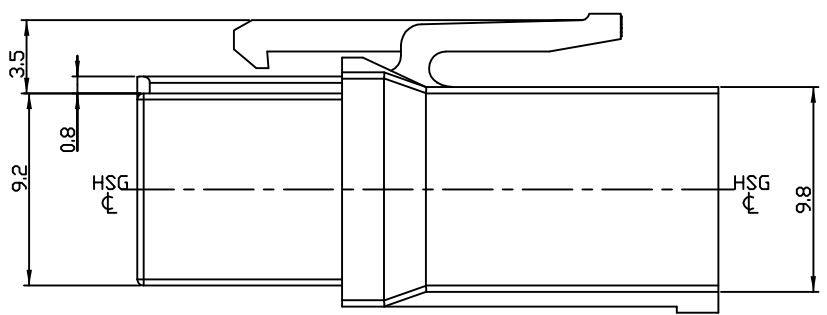
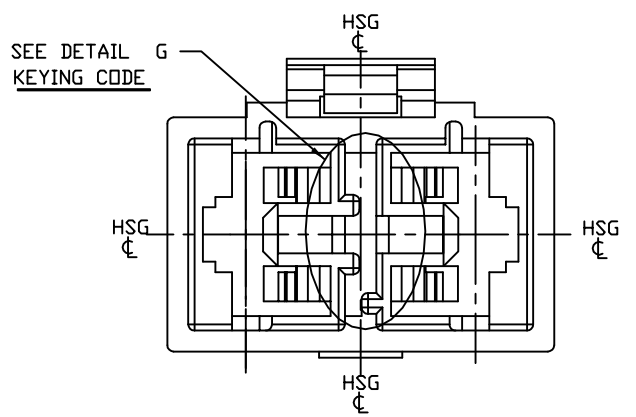
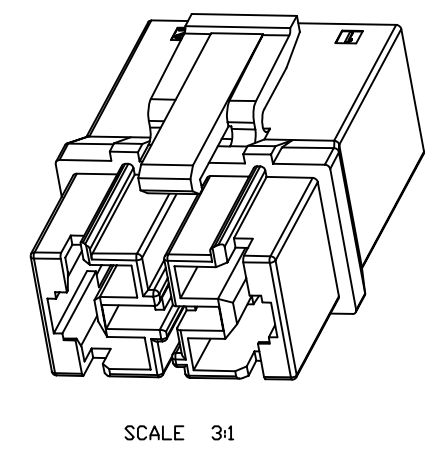
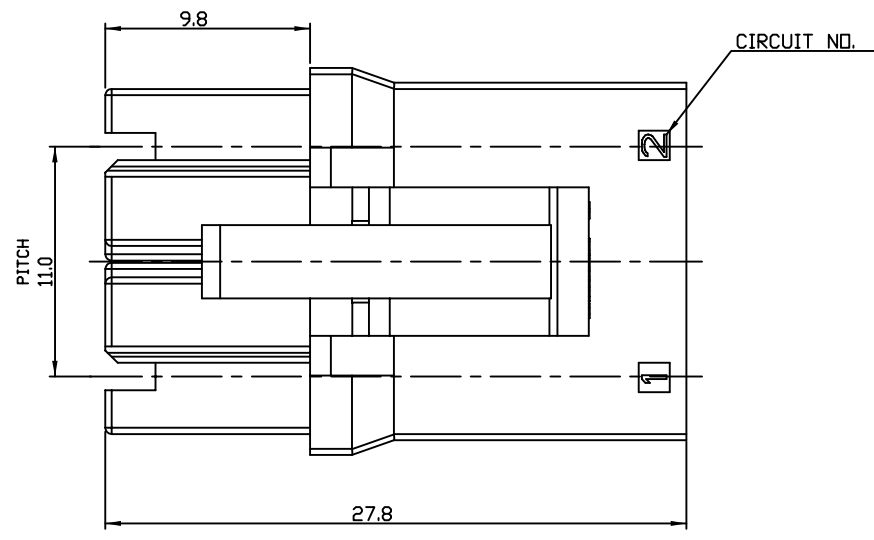
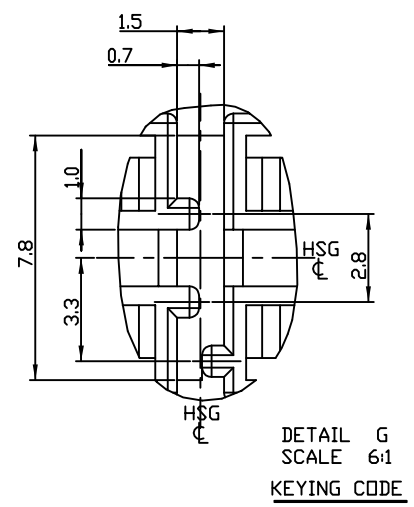
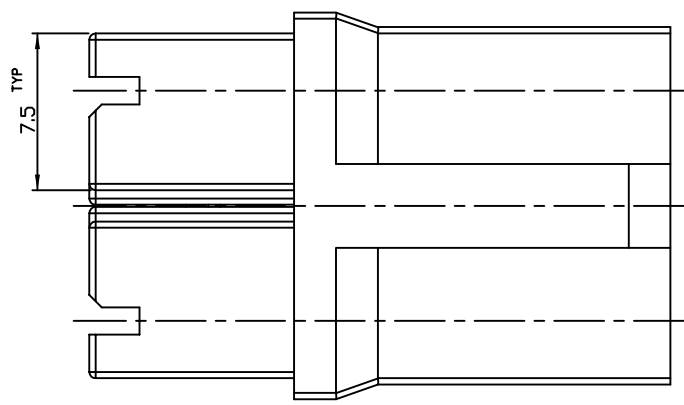


TABLE 1 (SEE DETAIL G)

TYPE	A	B	C	D
KEYING LOCATION				



- NOTES
 1. GENERAL TOLERANCES : ±0.2
 2. MATERIAL : 6/6 NYLON, UL94V-0
 3. MATERIAL : PC/PET, UL94V-0
 PARTS COMPLY WITH GWT 750
 4. MATING HDR ASS'Y P/N : 1743330-□
 5. APPLICABLE CONTACT P/N : 1743457-1
 6. KEYING LOCATION : TABLE 1, DETAIL G

1-1743419-6	D	3	BLUE
1-1743419-4	C		YELLOW
1-1743419-2	B		RED
1-1743419-1	A		NATURAL
OBSOLETE 1-1743419-6	D	2	BLUE
OBSOLETE 1-1743419-4	C		YELLOW
1743419-2	B		RED
1743419-1	A		NATURAL
P/N	TYPE	MATERIAL	COLOR

THIS DRAWING IS A CONTROLLED DOCUMENT.

DIMENSIONS: mm	TOLERANCES UNLESS OTHERWISE SPECIFIED.	DWN SC KIM	CHK BW KANG	APVD JK SONG	PRODUCT SPEC	108-61068	APPLICATION SPEC	SIZE A2	CAGE CODE 00779	DRAWING NO. 1743419	RESTRICTED TO
MATERIAL SEE NOTE	FINISH	TE Connectivity		250 2 POS P-LOCK REC HSG (11mm PITCH)		CUSTOMER DRAWING		SCALE N/S	SHEET 1 of 1	REV B2	