



Chipsmall Limited consists of a professional team with an average of over 10 year of expertise in the distribution of electronic components. Based in Hongkong, we have already established firm and mutual-benefit business relationships with customers from,Europe,America and south Asia,supplying obsolete and hard-to-find components to meet their specific needs.

With the principle of “Quality Parts,Customers Priority,Honest Operation,and Considerate Service”,our business mainly focus on the distribution of electronic components. Line cards we deal with include Microchip,ALPS,ROHM,Xilinx,Pulse,ON,Everlight and Freescale. Main products comprise IC,Modules,Potentiometer,IC Socket,Relay,Connector.Our parts cover such applications as commercial,industrial, and automotives areas.

We are looking forward to setting up business relationship with you and hope to provide you with the best service and solution. Let us make a better world for our industry!



Contact us

Tel: +86-755-8981 8866 Fax: +86-755-8427 6832

Email & Skype: info@chipsmall.com Web: www.chipsmall.com

Address: A1208, Overseas Decoration Building, #122 Zhenhua RD., Futian, Shenzhen, China



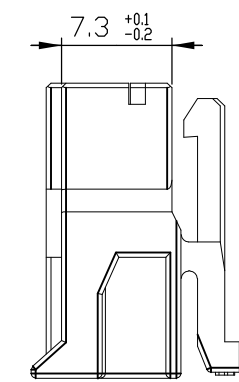
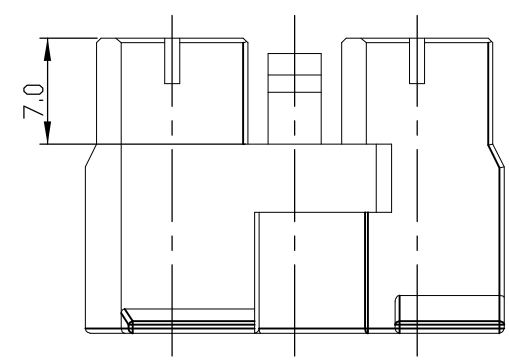
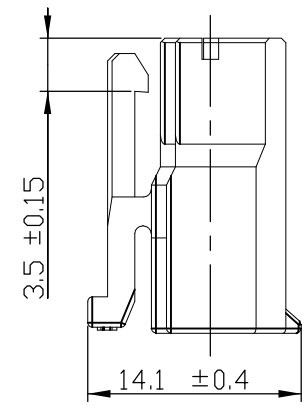
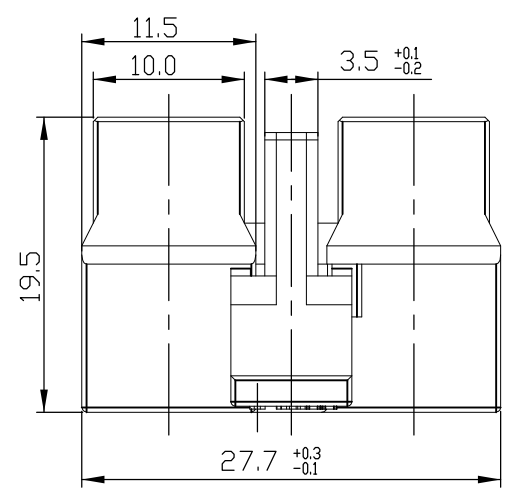
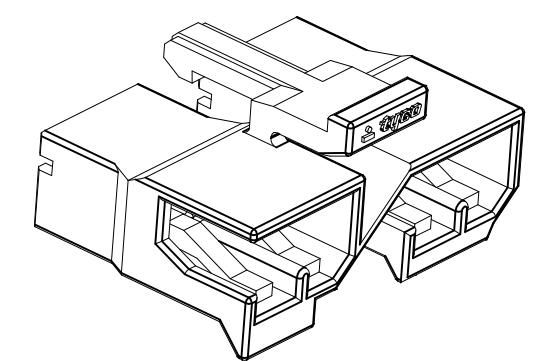
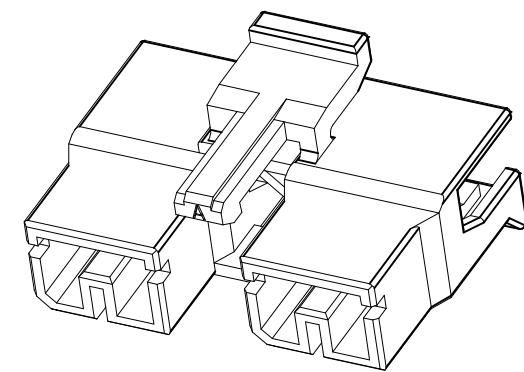
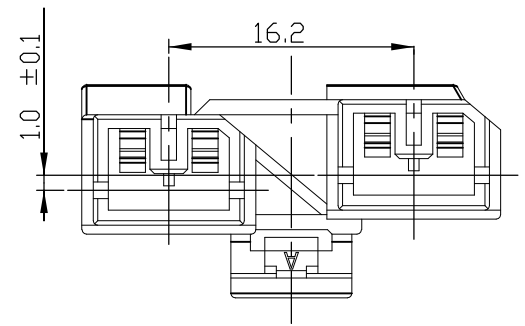
THIS DRAWING IS UNPUBLISHED.

RELEASED FOR PUBLICATION

REVISIONS

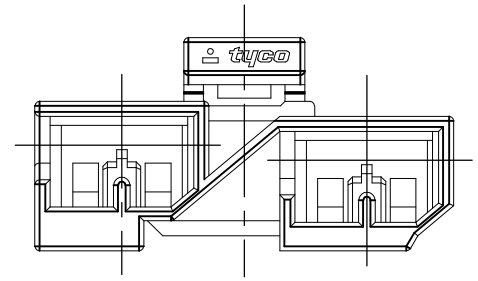
© COPYRIGHT - By - ALL RIGHTS RESERVED.

P	LTR	DESCRIPTION	DATE	DWN	APVD
B2		REVISED PER ECR-17-003108	06MAR2017	SE	BH



NOTES.

- 1.GENERAL TOLERANCE : ±0.2, ±2°.
- △MATERIAL : NYLON 6/6, UL94 -V0.
- 3.APPLICABLE CONTACT P/N : 1743221-1.
(CABLE SIZE : AWG #16, #18)
- △MATERIAL: PC-PET, UL94 V-0
PARTS COMPLY WITH GWT 750



OBSOLETE	P/N	DESCRIPTION	MATERIAL	COLOR
	1-1743643-1	PCFL PLUG HSG (GWT)	△	NATURAL
	1743643-9	PCFL PLUG HSG	△	BLACK
	1743643-6	PCFL PLUG HSG	△	BLUE
	1743643-1	PCFL PLUG HSG	△	NATURAL
	P/N	DESCRIPTION	MATERIAL	COLOR

THIS DRAWING IS A CONTROLLED DOCUMENT.		DWN SC KIM	TE Connectivity																
DIMENSIONS: mm		CHK BW KANG																	
TOLERANCES UNLESS OTHERWISE SPECIFIED:		APVD JK SONG	NAME 250 2P PLUG HSG FOR LOW-HEIGHT PCFL																
<table border="1"> <tr><td>0 PLC</td><td>± -</td></tr> <tr><td>1 PLC</td><td>± -</td></tr> <tr><td>2 PLC</td><td>± -</td></tr> <tr><td>3 PLC</td><td>± -</td></tr> <tr><td>4 PLC</td><td>± -</td></tr> <tr><td>ANGLES</td><td>± -</td></tr> <tr><td>FINISH</td><td>-</td></tr> </table>		0 PLC	± -	1 PLC	± -	2 PLC	± -	3 PLC	± -	4 PLC	± -	ANGLES	± -	FINISH	-	PRODUCT SPEC 108-61077	SIZE A3		
0 PLC	± -																		
1 PLC	± -																		
2 PLC	± -																		
3 PLC	± -																		
4 PLC	± -																		
ANGLES	± -																		
FINISH	-																		
MATERIAL SEE NOTES		APPLICATION SPEC -	CAGE CODE 00779	DRAWING NO C- 1743643	RESTRICTED TO -														
CUSTOMER DRAWING			SCALE 2:1	SHEET 1 OF 1	REV B2														