



Chipsmall Limited consists of a professional team with an average of over 10 year of expertise in the distribution of electronic components. Based in Hongkong, we have already established firm and mutual-benefit business relationships with customers from,Europe,America and south Asia,supplying obsolete and hard-to-find components to meet their specific needs.

With the principle of "Quality Parts,Customers Priority,Honest Operation,and Considerate Service",our business mainly focus on the distribution of electronic components. Line cards we deal with include Microchip,ALPS,ROHM,Xilinx,Pulse,ON,Everlight and Freescale. Main products comprise IC,Modules,Potentiometer,IC Socket,Relay,Connector.Our parts cover such applications as commercial,industrial, and automotives areas.

We are looking forward to setting up business relationship with you and hope to provide you with the best service and solution. Let us make a better world for our industry!



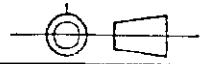
Contact us

Tel: +86-755-8981 8866 Fax: +86-755-8427 6832

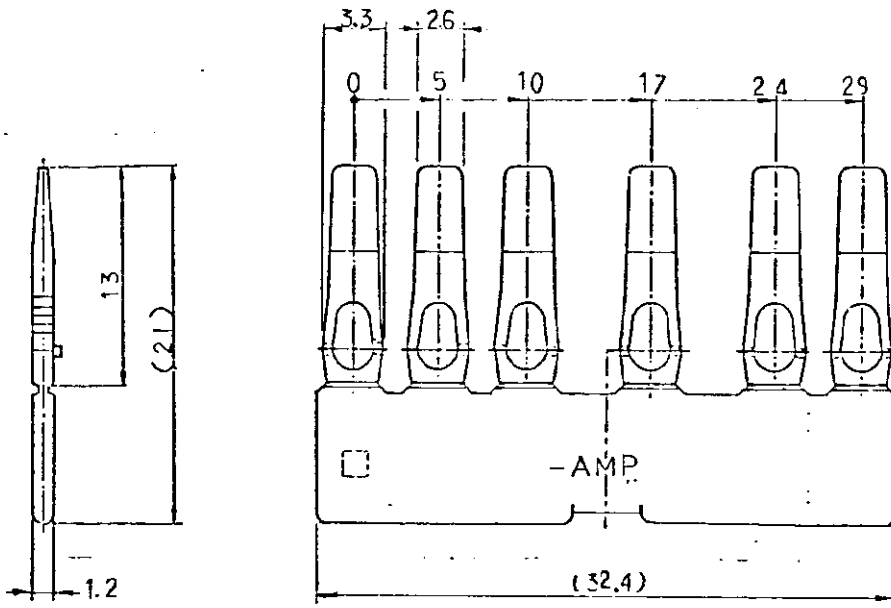
Email & Skype: info@chipsmall.com Web: www.chipsmall.com

Address: A1208, Overseas Decoration Building, #122 Zhenhua RD., Futian, Shenzhen, China





DRAWING NUMBER 174398



- 注:
1. 嵌合相手型番; 172497(11極プラグ・ハウジング)
 2. 取扱説明書番号; CM-343J

- NOTES;
1. THE MATING COUNTERPART PART NUMBER; 172497
 2. INSTRUCTION SHEET No.; CM-343J

DIMENSIONS IN MM. DO NOT SCALE PRINT

PRINT LIST

				© 1978 日本エー・エル・ピー株式会社 AMP社の商標品は特許又は特許出願中		© 1978 BY AMP (Japan), Ltd. ALL RIGHTS RESERVED. AMP PRODUCTS COVERED BY PATENTS AND/OR PATENTS PENDING	
				配線用線径 (WIRE RANGE) ———— mm#AWG ————	縮尺 (SCALE) ———— 1:2.5 ————		100% ± 0.1 20% ± 0.1 5% ± 0.1
				絶縁径 (INSULATION DIA.) ———— mm ————	AMP エー・エル・ピー株式会社 TOKYO, JAPAN		
A	REVISION	NO.	DATE	材料 (MATERIAL) PBT		色 (COLOR); BLACK 色; 黒	LOC SIZE # NO. REV. JA 174398 A
LTR. 変更 (REVISION RECORD) DR. CHK. DATE				名称 (NAME): 3BL LOCK PLATE 11Pin. MIC-MKII 7ピンロックプレート 11極			
DR.	X 2/20/81		DE	X 4/20/81			
CHK.	M. Matsushita		APP.	11/10/81			