



Chipsmall Limited consists of a professional team with an average of over 10 year of expertise in the distribution of electronic components. Based in Hongkong, we have already established firm and mutual-benefit business relationships with customers from,Europe,America and south Asia,supplying obsolete and hard-to-find components to meet their specific needs.

With the principle of “Quality Parts,Customers Priority,Honest Operation,and Considerate Service”,our business mainly focus on the distribution of electronic components. Line cards we deal with include Microchip,ALPS,ROHM,Xilinx,Pulse,ON,Everlight and Freescale. Main products comprise IC,Modules,Potentiometer,IC Socket,Relay,Connector.Our parts cover such applications as commercial,industrial, and automotives areas.

We are looking forward to setting up business relationship with you and hope to provide you with the best service and solution. Let us make a better world for our industry!



Contact us

Tel: +86-755-8981 8866 Fax: +86-755-8427 6832

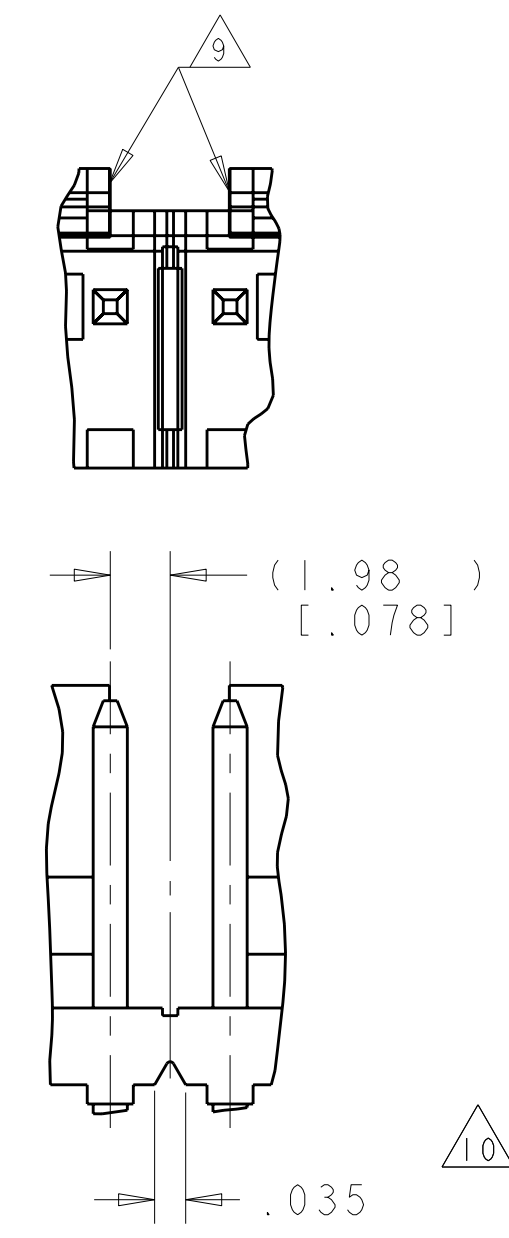
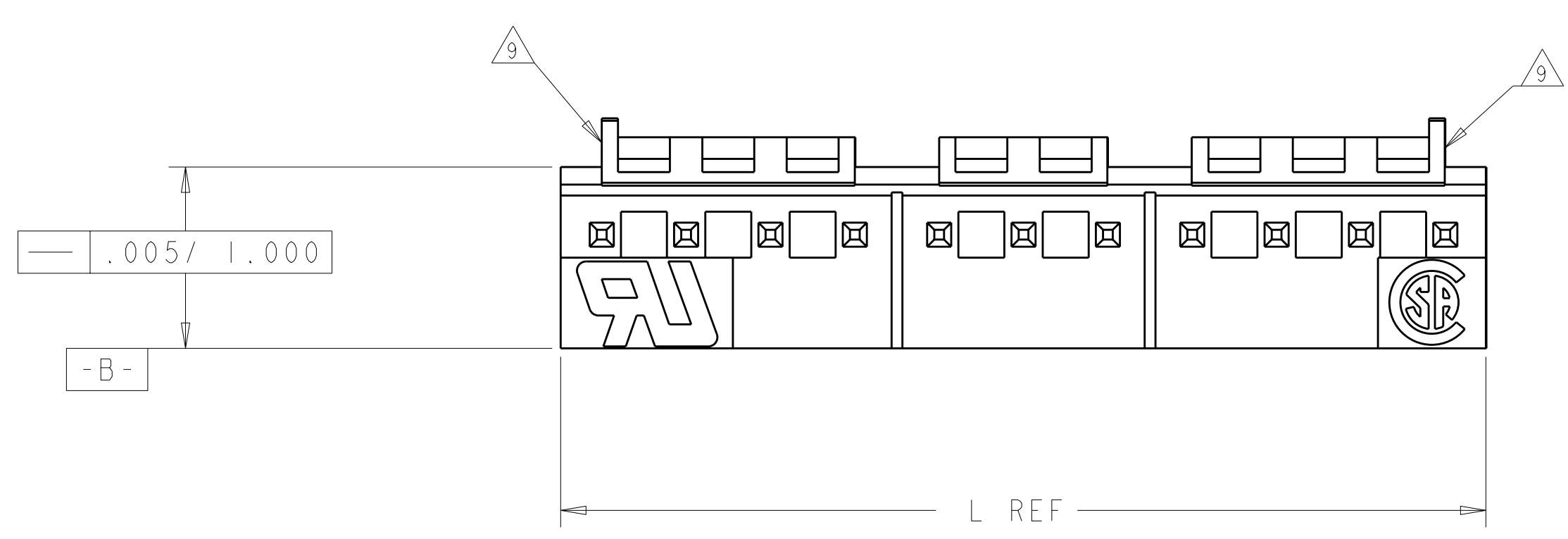
Email & Skype: info@chipsmall.com Web: www.chipsmall.com

Address: A1208, Overseas Decoration Building, #122 Zhenhua RD., Futian, Shenzhen, China

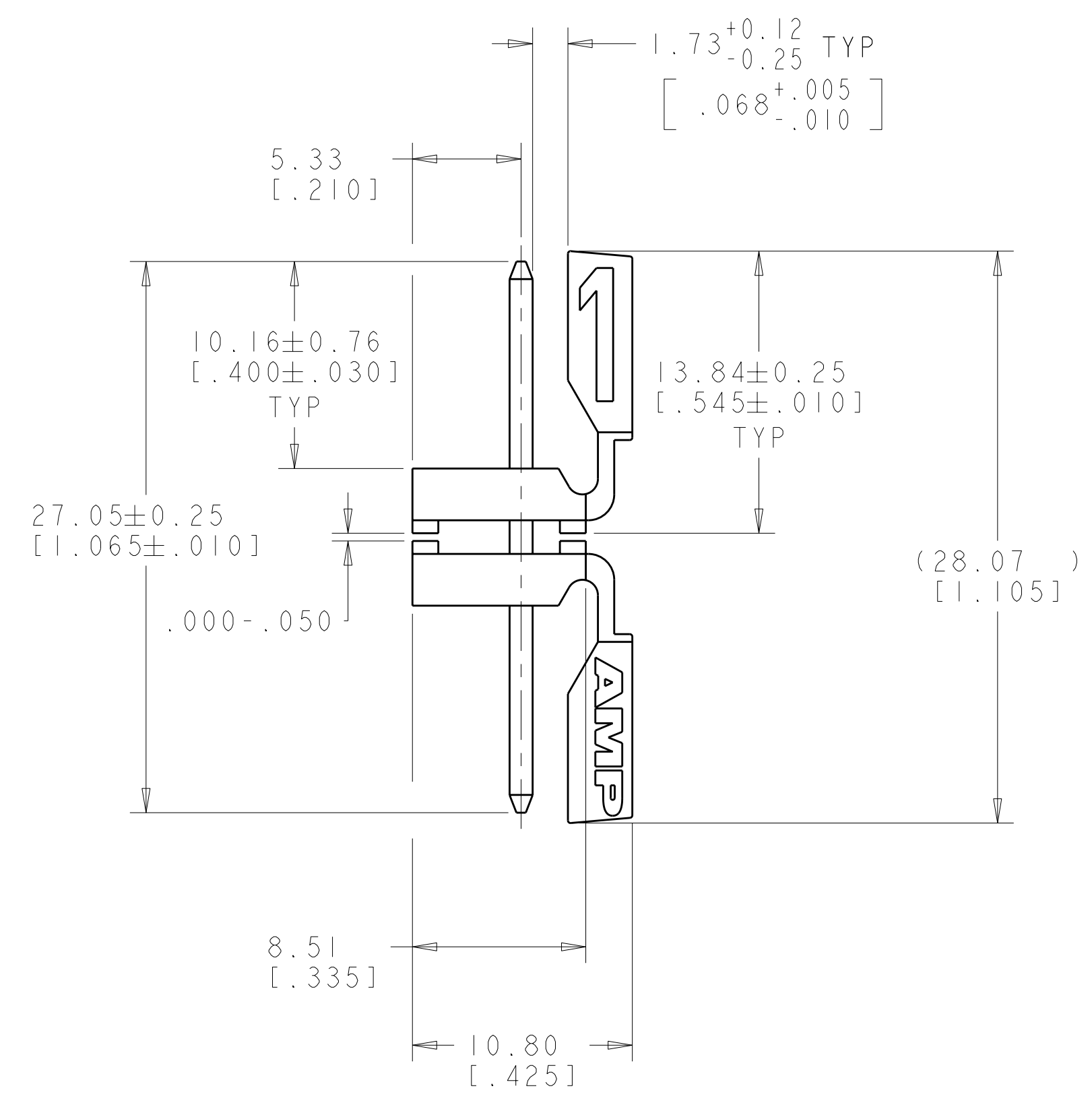
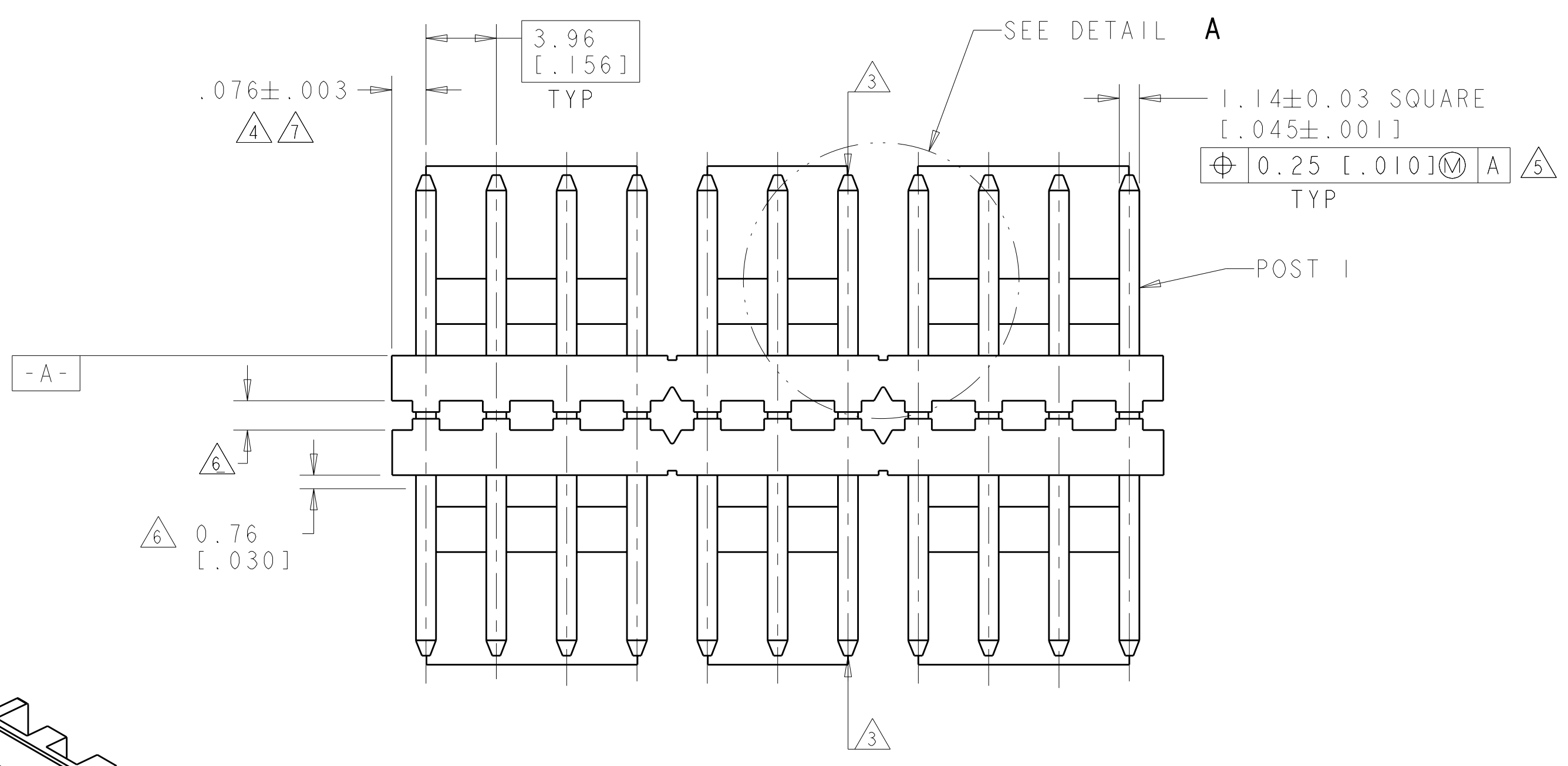


| LOC | DIST | REV | DATE | BY | APPD |
|-----|------|-----|---------|----|------|
| CM | 00 | A1 | 11AUG06 | KW | DB |

- 1 MATERIAL - HOUSING: THERMOPLASTIC POLYESTER, GLASS FILLED, UL94V-0. POST: COPPER ALLOY.
- 2 FINISH - HOUSING: NATURAL. POST: BRIGHT TIN PLATE, 0.00380-0.00880 [.000150-.000350] THK OVER NICKEL UNDERPLATE, 0.00130 [.000050] MIN THK.
- 3 POSTS TO WITHSTAND 13.34 N (3 LBS) MIN AXIAL FORCE IN EITHER DIRECTION WITHOUT DISLODGING.
- 4 APPLIES AT -A-.
- 5 APPLIES WHEN HEADER IS STRAIGHT.
- 6 PLASTIC PROJECTIONS PERMITTED IN THIS ZONE.
- 7 COORDINATE DIMENSION APPLIES FROM CENTER OF THE ACTUAL FEATURE.
- 8. DIMENSIONS IN BRACKETS ARE IN INCHES.
- 9 EDGE OF POLARIZING LOCK WALL TO BE IN LINE WITH CENTERLINE OF ADJACENT POST WITHIN ±0.13 [.005].
- 10 NOTCH SHOWN MAY OR MAY NOT APPEAR.

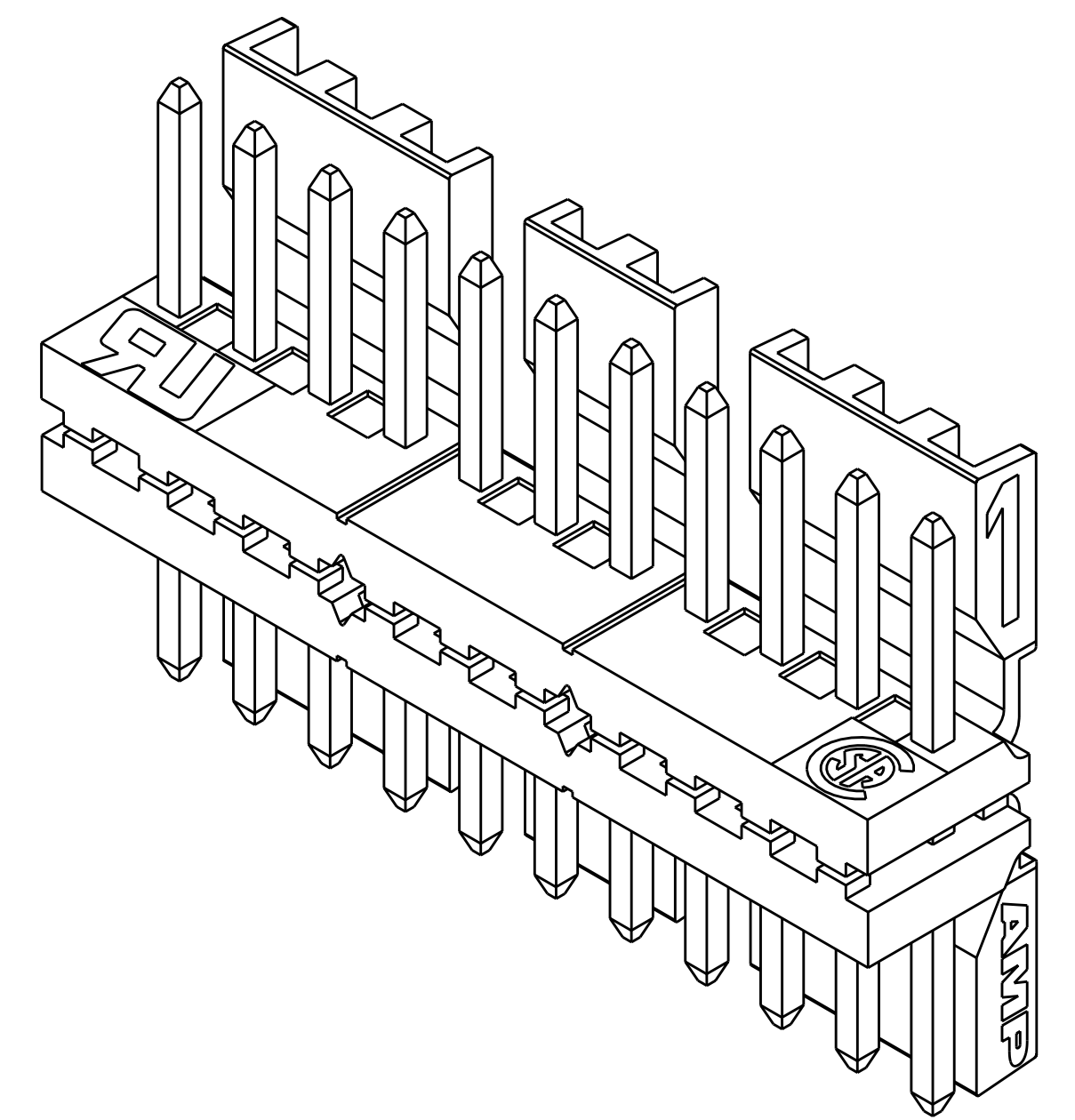


DETAIL A
 SCALE 4:1
 FEATURES ARE TYPICAL
 FOR P/N 1744001-6 THRU 1-1744001-1



1-1744001-1 SHOWN

| L DIM | NO OF POSN | PART NO |
|---------------|------------|-------------|
| 47.42 [.1867] | 12 | 1-1744001-2 |
| 43.46 [.1711] | 11 | 1-1744001-1 |
| 39.50 [.1555] | 10 | 1-1744001-0 |
| 35.53 [.1399] | 9 | 1744001-9 |
| 31.57 [.1243] | 8 | 1744001-8 |
| 27.61 [.1087] | 7 | 1744001-7 |
| 23.65 [.0931] | 6 | 1744001-6 |
| 19.69 [.0775] | 5 | 1744001-5 |
| 15.72 [.0619] | 4 | 1744001-4 |
| 11.76 [.0463] | 3 | 1744001-3 |
| 7.80 [.0307] | 2 | 1744001-2 |



| | | | |
|---|--|---|---|
| DIMENSIONS: mm [INCHES] TOLERANCES UNLESS OTHERWISE SPECIFIED: 9 PLC ± 8 PLC ± 5 PLC ±0.13 (1.005) 4 PLC ± ANGLES ±30° FINISH: | | DWN: WHITAKER CHK: D. BOSSI APVD: D. BOSSI DATE: 11AUG2006 NAME: MTA-156 IN-LINE SPLICE, POLARIZED LOCK, .045 SQUARE, TIN, SPECIAL SIZE: CAGE CODE: DRAWING NO: 00779 CUSTOMER DRAWING: | Tyco Electronics Harrisburg, PA 17105-3608 SCALE: 4:1 SHEET: 1 OF 1 REV: A1 |
|---|--|---|---|