



Chipsmall Limited consists of a professional team with an average of over 10 year of expertise in the distribution of electronic components. Based in Hongkong, we have already established firm and mutual-benefit business relationships with customers from,Europe,America and south Asia,supplying obsolete and hard-to-find components to meet their specific needs.

With the principle of “Quality Parts,Customers Priority,Honest Operation,and Considerate Service”,our business mainly focus on the distribution of electronic components. Line cards we deal with include Microchip,ALPS,ROHM,Xilinx,Pulse,ON,Everlight and Freescale. Main products comprise IC,Modules,Potentiometer,IC Socket,Relay,Connector.Our parts cover such applications as commercial,industrial, and automotives areas.

We are looking forward to setting up business relationship with you and hope to provide you with the best service and solution. Let us make a better world for our industry!



Contact us

Tel: +86-755-8981 8866 Fax: +86-755-8427 6832

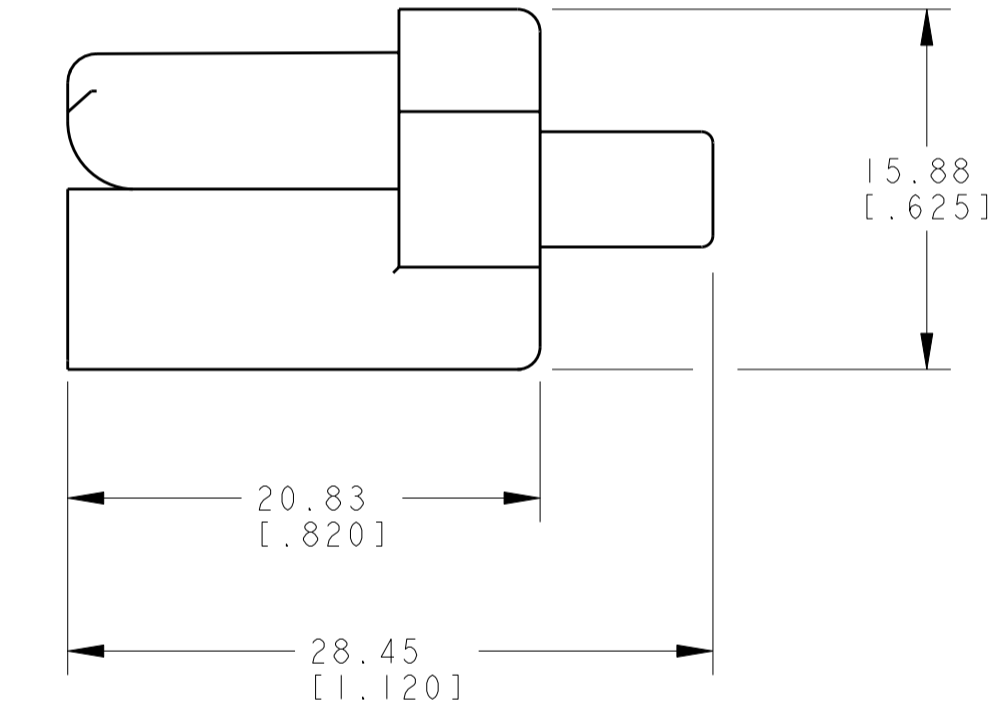
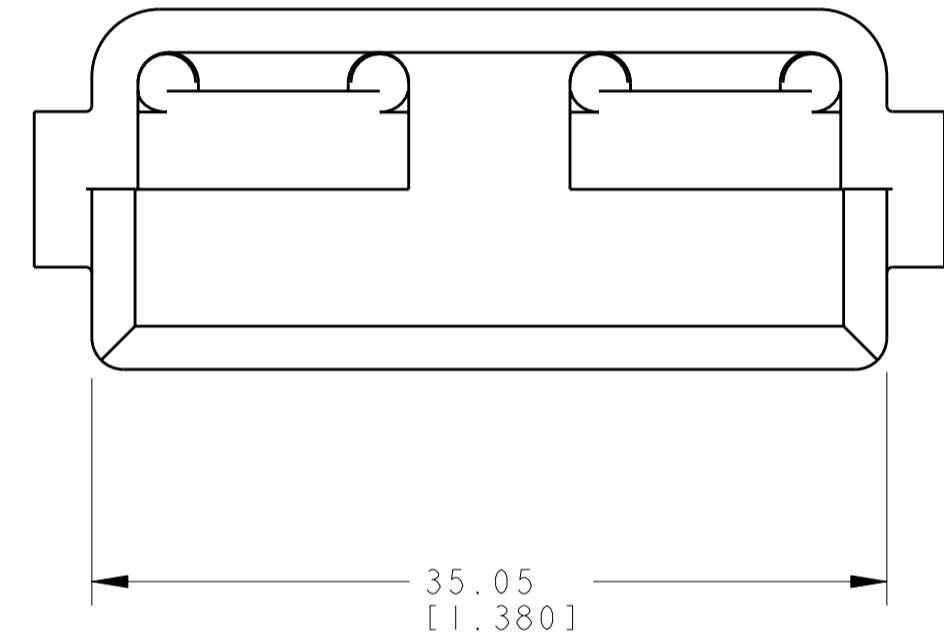
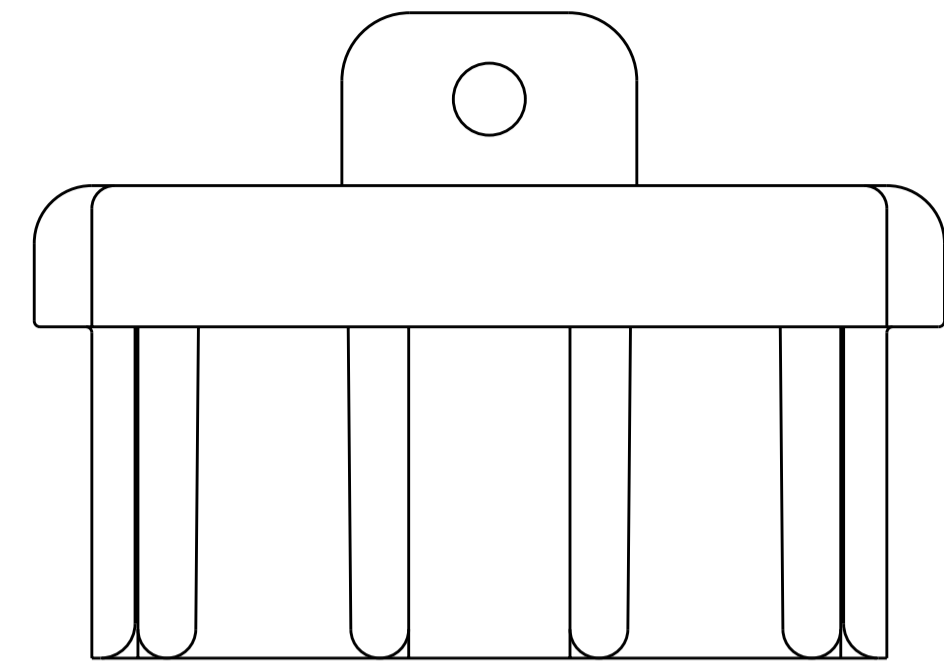
Email & Skype: info@chipsmall.com Web: www.chipsmall.com

Address: A1208, Overseas Decoration Building, #122 Zhenhua RD., Futian, Shenzhen, China

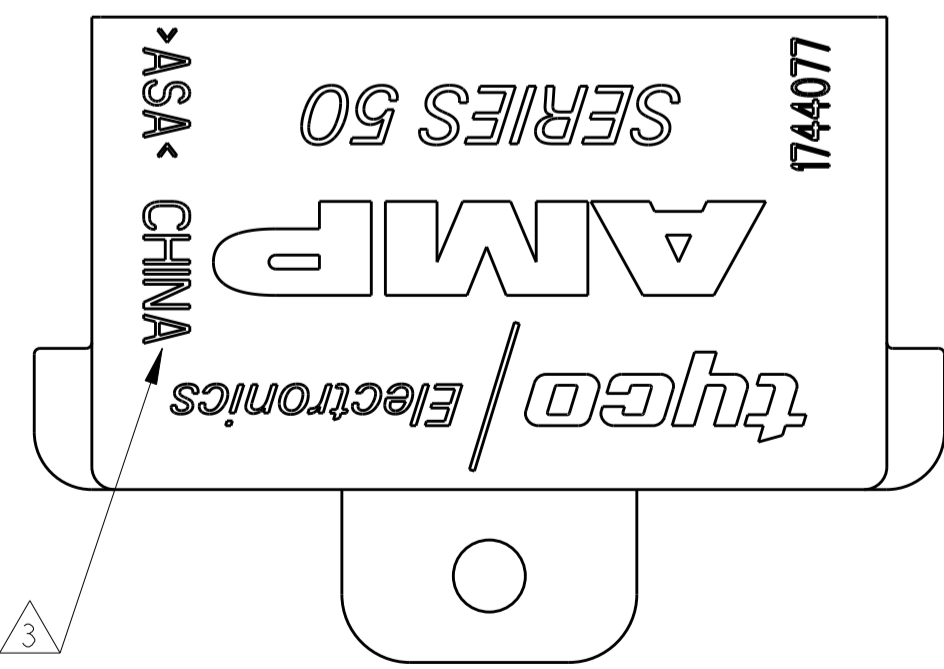
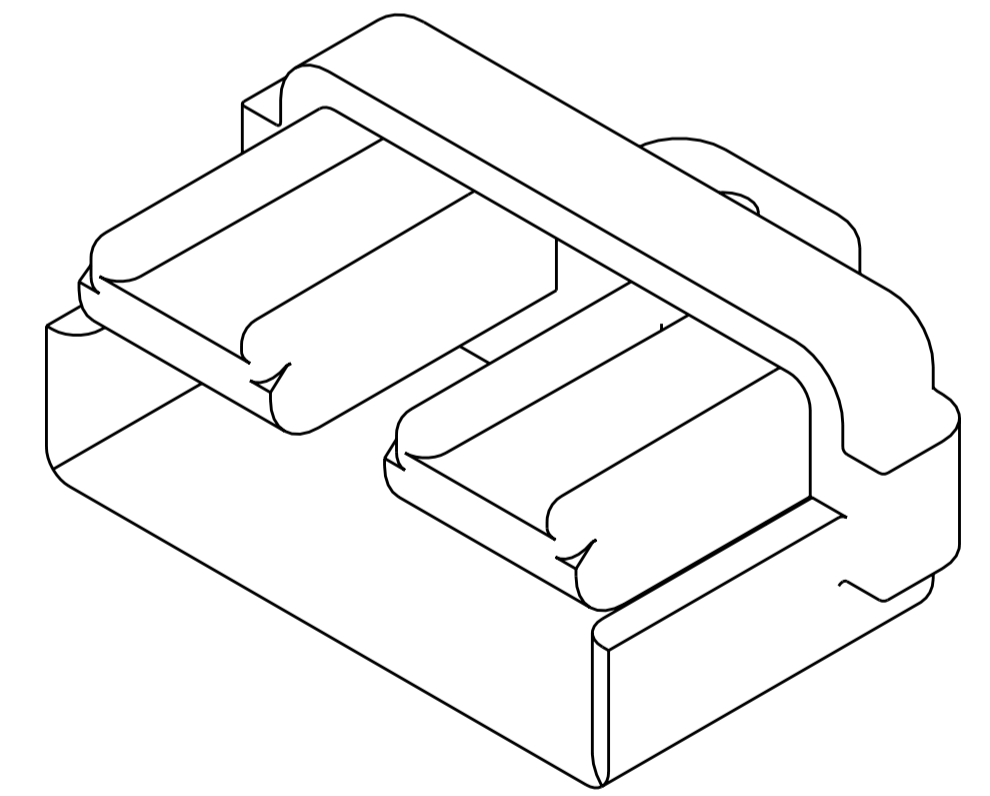


THIS DRAWING IS UNPUBLISHED. RELEASED FOR PUBLICATION 20
 © COPYRIGHT 20 BY TYCO ELECTRONICS CORPORATION. ALL RIGHTS RESERVED.

LOC	DIST	REVISIONS			
P	LTR	DESCRIPTION	DATE	DWN	APVD
	2	REVISED PER 063B-0829-04	20SEP04	KW	JE
	A	ECO-08-013135	05JUN2008	KW	SR



- 1 MATERIAL: PLASTIC, BLACK.
- 2. PART MATES WITH THE POWER PRODUCT 50 SERIES CONNECTORS.
- 3 COUNTRY OF ORIGIN (EXAMPLE: CHINA), SIZE OPTIONAL.



0.355 IN ³	1744077-1
VOLUME	PART NUMBER

METRIC

THIS DRAWING IS A CONTROLLED DOCUMENT FOR TYCO ELECTRONICS CORPORATION. IT IS SUBJECT TO CHANGE AND THE CONTROLLING ENGINEERING ORGANIZATION SHOULD BE CONTACTED FOR THE LATEST REVISION.		DWN K. WHITAKER 29 JUN 2004	Tyco Electronics Harrisburg, PA 17105-3608	
DIMENSIONS: mm [INCHES]		CHK J. ELLIS 29 JUN 2004	NAME DUST COVER HOUSING, AMP POWER SERIES 50	
TOLERANCES UNLESS OTHERWISE SPECIFIED: 0 PLC ± 1 PLC ± 2 PLC ±0.13 [.005] 3 PLC ± 4 PLC ± ANGLES ±0° 30'		APVD J. ELLIS 29 JUN 2004	RESTRICTED TO	
MATERIAL		PRODUCT SPEC	SIZE	CAGE CODE
1		APPLICATION SPEC	A200779	C-1744077
1		WEIGHT	DRAWING NO	
1		CUSTOMER DRAWING	SCALE 3:1	
1		SHEET 1 OF 1		REV A