



Chipsmall Limited consists of a professional team with an average of over 10 year of expertise in the distribution of electronic components. Based in Hongkong, we have already established firm and mutual-benefit business relationships with customers from,Europe,America and south Asia,supplying obsolete and hard-to-find components to meet their specific needs.

With the principle of "Quality Parts,Customers Priority,Honest Operation,and Considerate Service",our business mainly focus on the distribution of electronic components. Line cards we deal with include Microchip,ALPS,ROHM,Xilinx,Pulse,ON,Everlight and Freescale. Main products comprise IC,Modules,Potentiometer,IC Socket,Relay,Connector.Our parts cover such applications as commercial,industrial, and automotives areas.

We are looking forward to setting up business relationship with you and hope to provide you with the best service and solution. Let us make a better world for our industry!



## Contact us

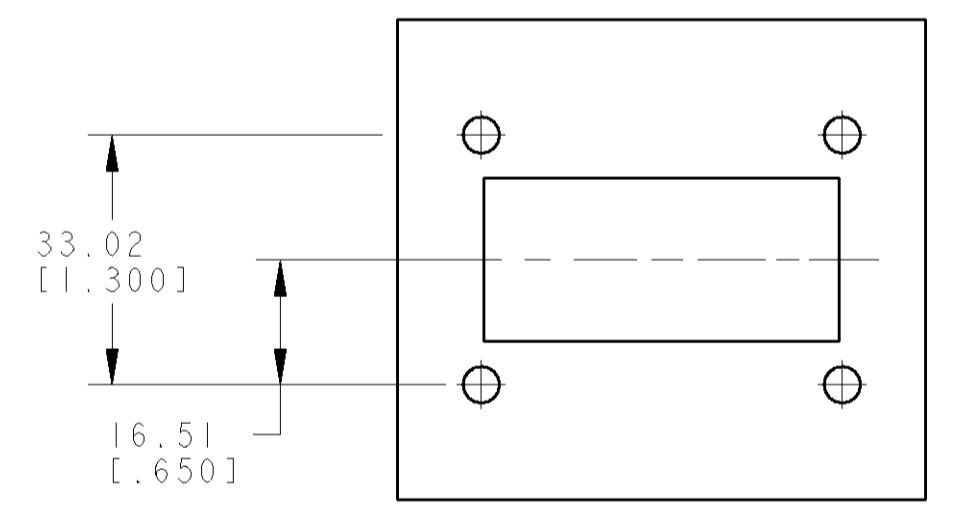
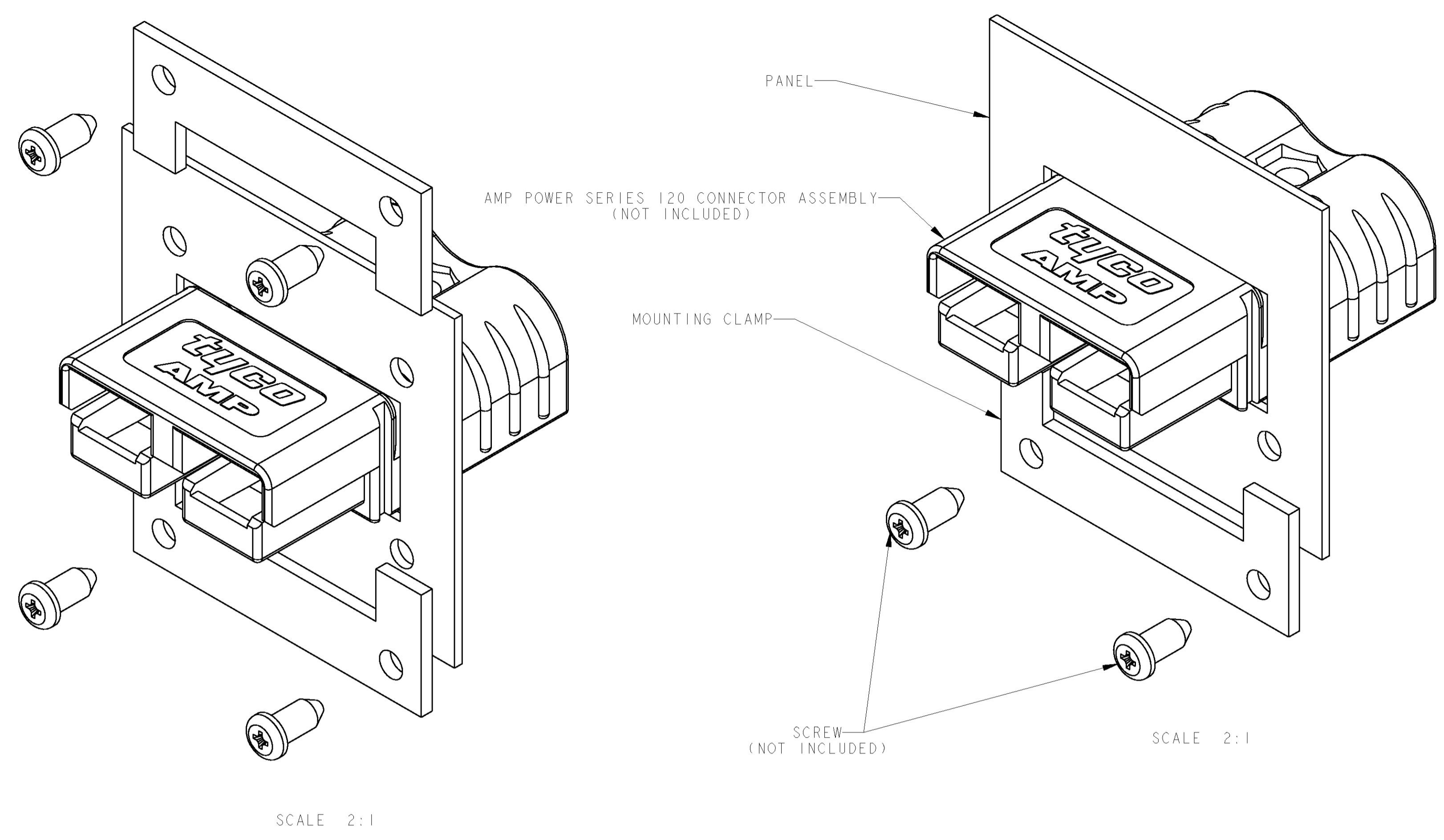
Tel: +86-755-8981 8866 Fax: +86-755-8427 6832

Email & Skype: info@chipsmall.com Web: www.chipsmall.com

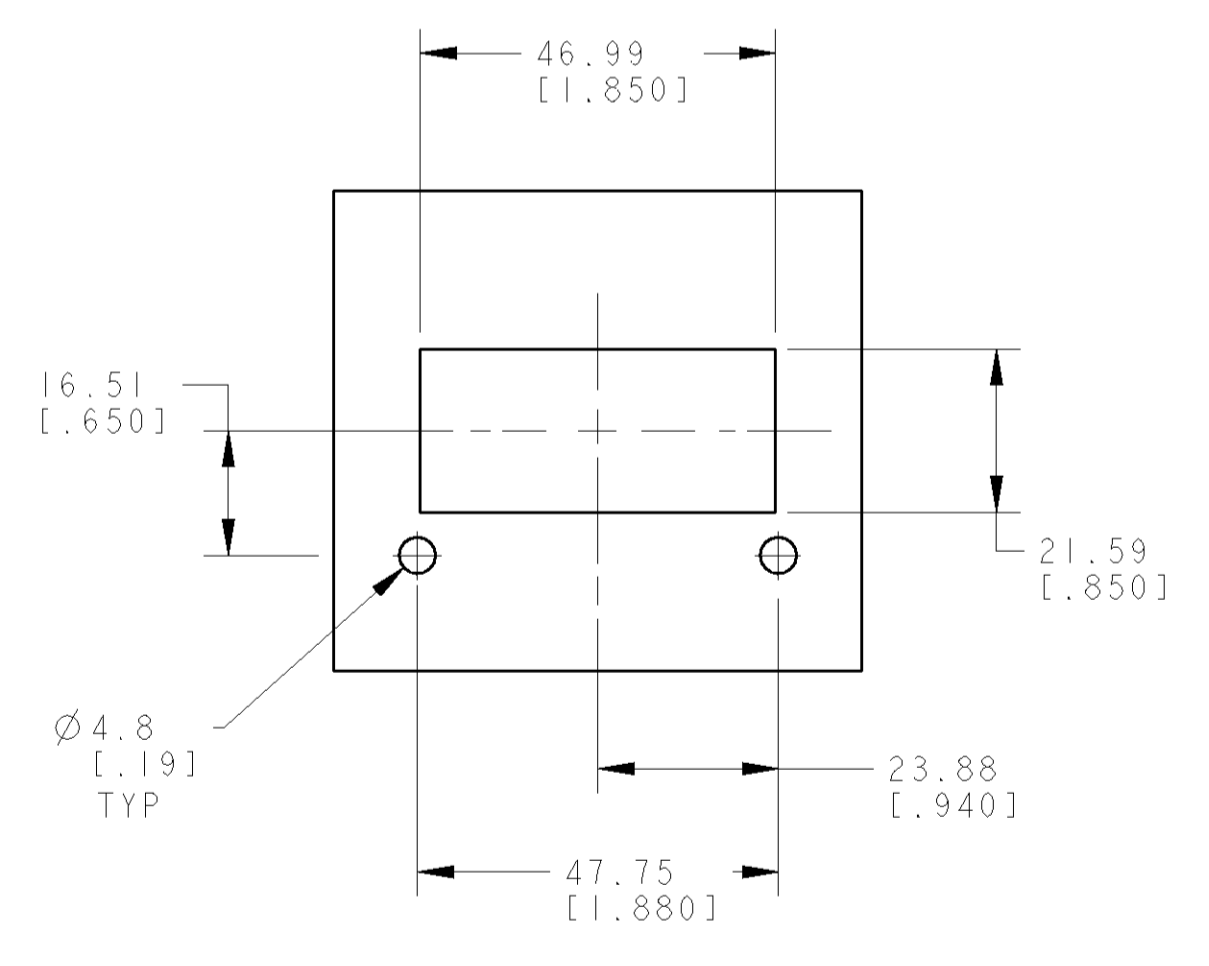
Address: A1208, Overseas Decoration Building, #122 Zhenhua RD., Futian, Shenzhen, China



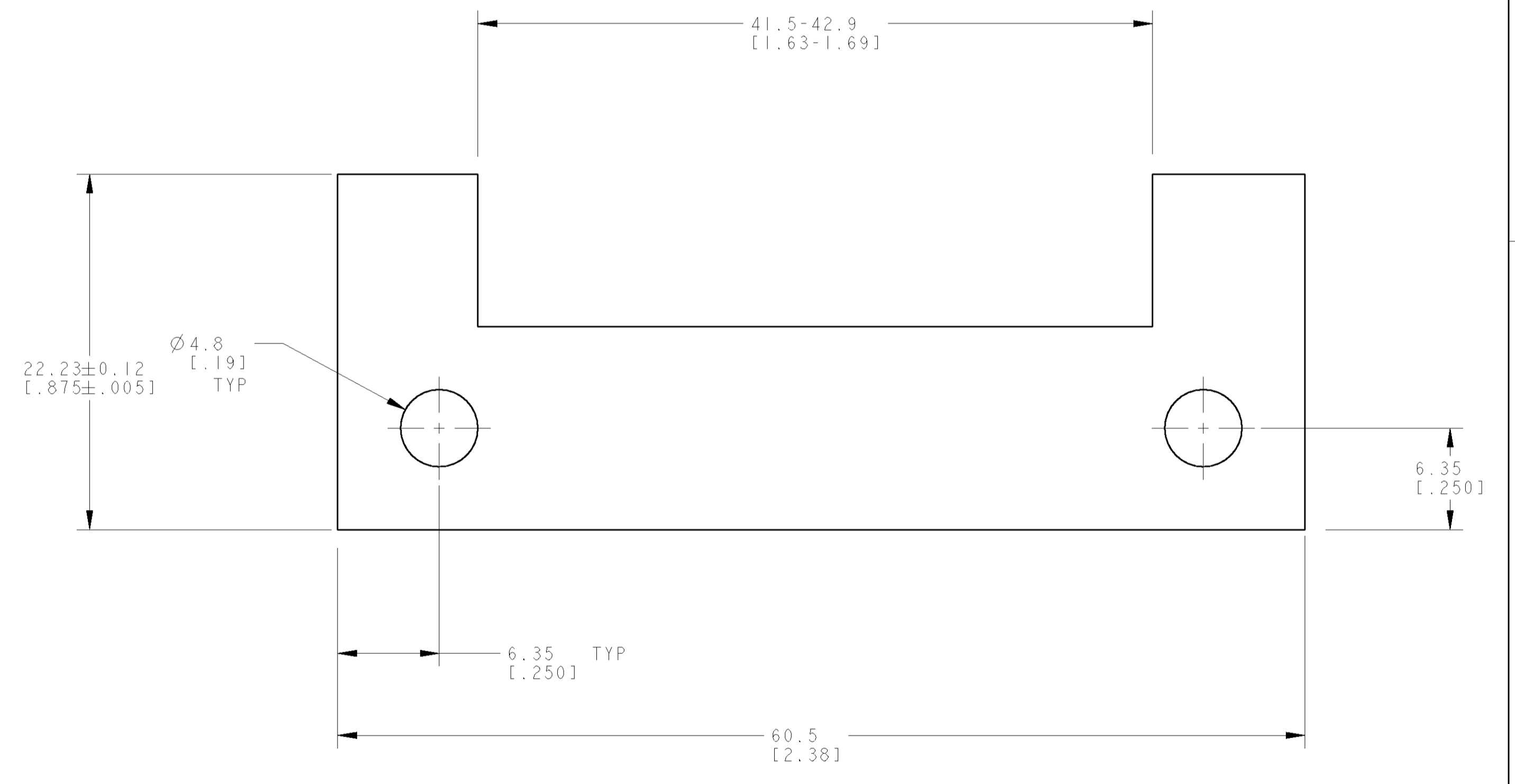
LOC		DIST		REVISIONS			
CM	00	P	LTR	DESCRIPTION	DATE	DWN	APVD
		0		REVISED PER 0638-0920-04	29NOV04	KW	JE



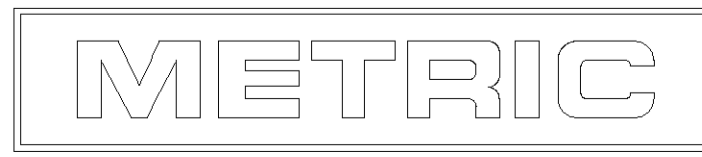
RECOMMENDED PANEL CUT OUT  
 (TWO BRACKETS)  
 SCALE 1:1



RECOMMENDED PANEL CUT OUT  
 (ONE BRACKET)  
 SCALE 1:1



1744090-1  
 PART NUMBER



DIMENSIONS: mm [INCHES]		TOLERANCES UNLESS OTHERWISE SPECIFIED:		DWN R. WHITAKER 29NOV2004		<b>tyco</b> Electronics Tyco Electronics Harrisburg, PA 17105-3608	
0 PLC	±	0 PLC	±	CHK J. ELLIS 29NOV2004	NAME	MOUNTING CLAMP, PANEL AMP POWER SERIES 120, DOUBLE POLE	
1 PLC	±	1 PLC	±0.10 [0.007]	APVD J. ELLIS 29NOV2004	PRODUCT SPEC	-	
2 PLC	±	2 PLC	±	APPLICATION SPEC	SIZE	CAGE CODE	DRAWING NO
3 PLC	±	3 PLC	±	ANGLES	114-13108	A100779	C=1744090
4 PLC	±	4 PLC	±	FINISH	RESTRICTED TO	-	
MATERIAL	13 GA (2.29 [.09])	FINISH	-	WEIGHT	CUSTOMER DRAWING	SCALE	4:1
ALUMINUM						SHEET	1 OF 1