



Chipsmall Limited consists of a professional team with an average of over 10 year of expertise in the distribution of electronic components. Based in Hongkong, we have already established firm and mutual-benefit business relationships with customers from,Europe,America and south Asia,supplying obsolete and hard-to-find components to meet their specific needs.

With the principle of “Quality Parts,Customers Priority,Honest Operation,and Considerate Service”,our business mainly focus on the distribution of electronic components. Line cards we deal with include Microchip,ALPS,ROHM,Xilinx,Pulse,ON,Everlight and Freescale. Main products comprise IC,Modules,Potentiometer,IC Socket,Relay,Connector.Our parts cover such applications as commercial,industrial, and automotives areas.

We are looking forward to setting up business relationship with you and hope to provide you with the best service and solution. Let us make a better world for our industry!



## Contact us

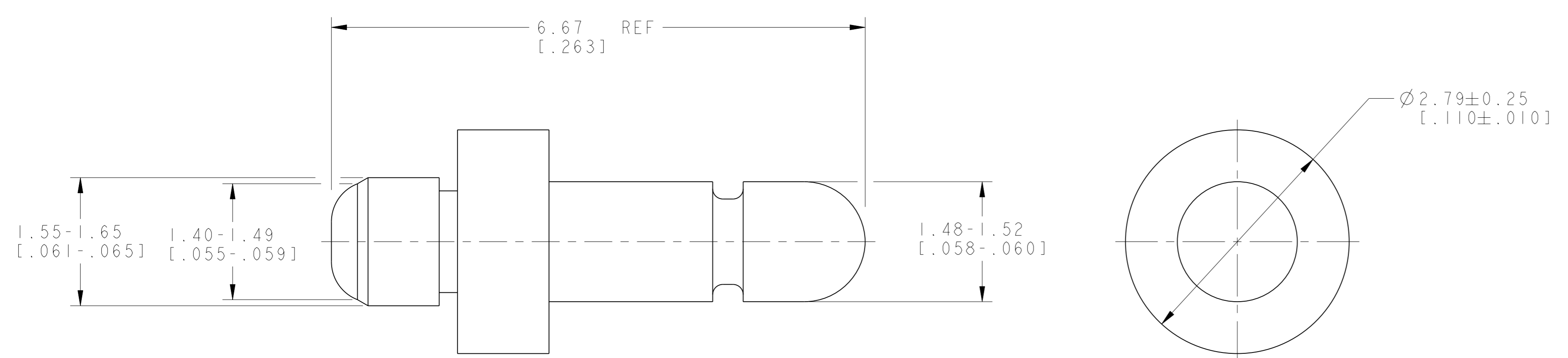
Tel: +86-755-8981 8866 Fax: +86-755-8427 6832

Email & Skype: info@chipsmall.com Web: www.chipsmall.com

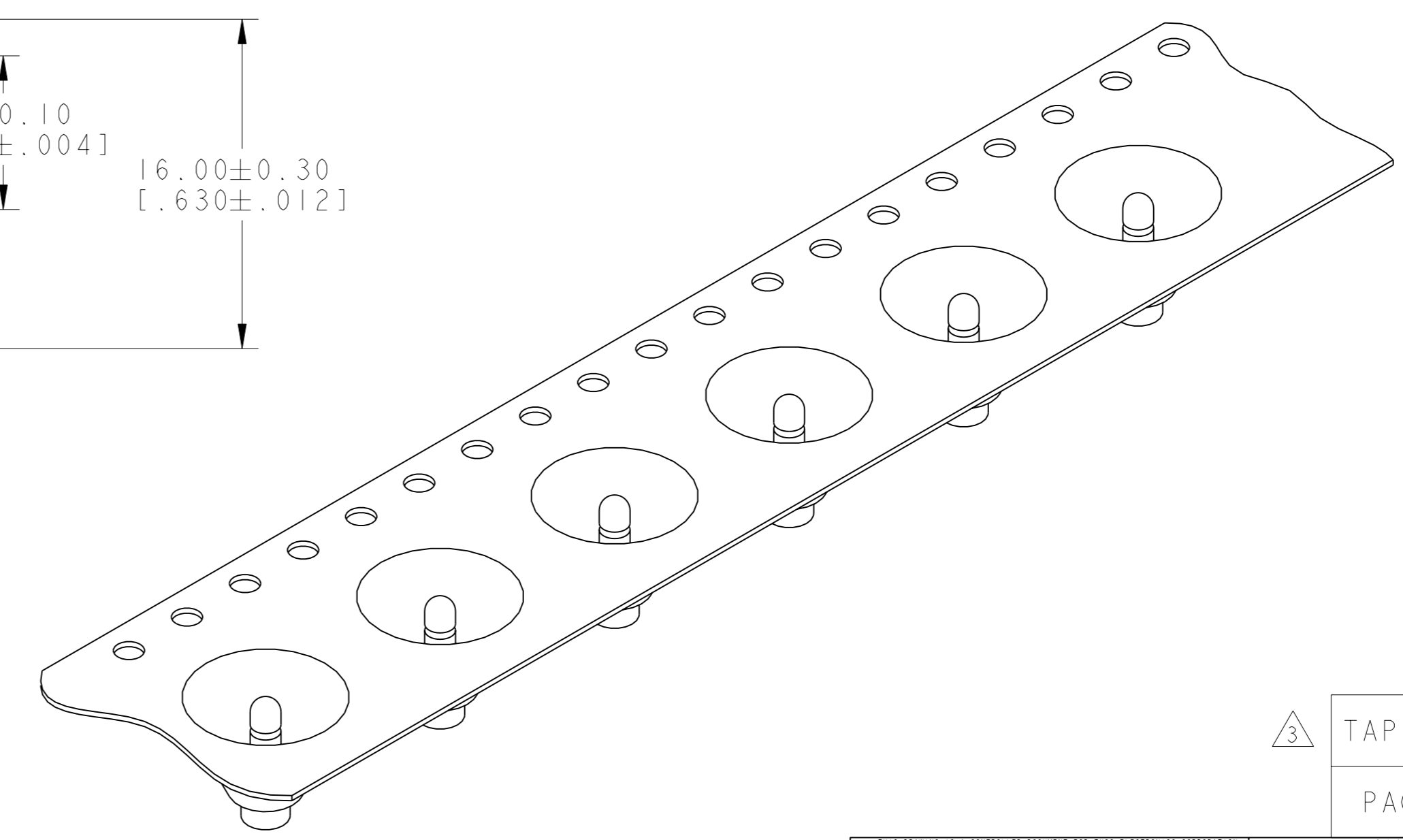
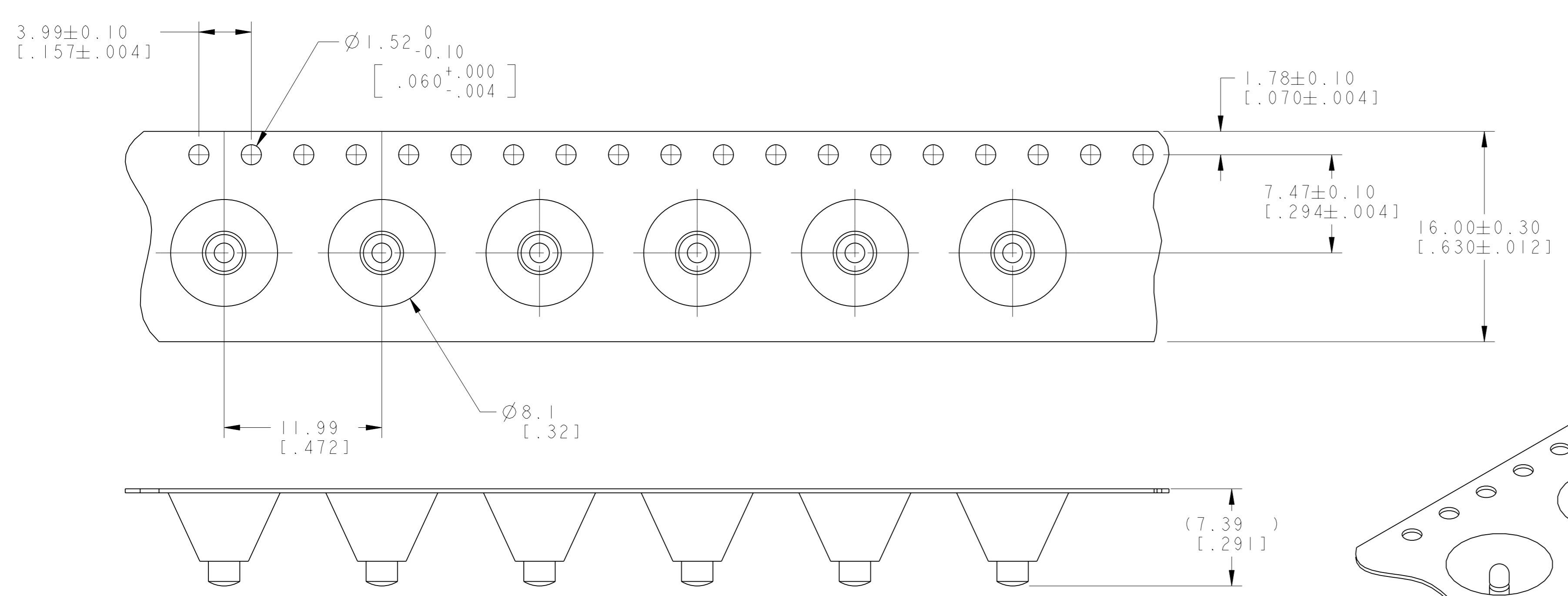
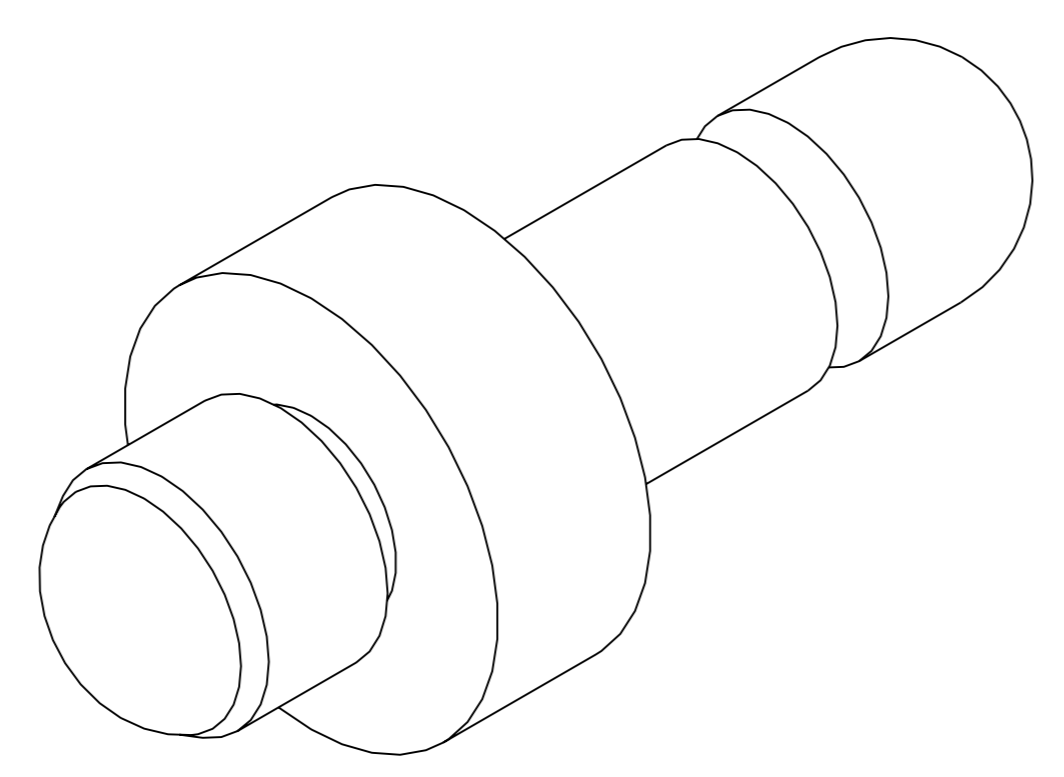
Address: A1208, Overseas Decoration Building, #122 Zhenhua RD., Futian, Shenzhen, China



LOC	DIST	REVISIONS			
F	LTR	DESCRIPTION	DATE	DWN	APVD
CM	00	A	RELEASED PER WR-05-44	01AUG05	KW JE



- △ PLATED WITH 0.00381 - 0.0635 [0.00150 - .000250] BRIGHT TIN ALL OVER.
- 2. PARTS TO COMPLY WITH TYCO ELECTRONICS SOLDERABILITY SPEC 109-11-2.
- △ COVER TAPE HEAT SEALED. REEL COUNT 1200 PIECES, 6 REELS PER BOX.



TAPE AND REEL DETAIL FOR 1744160-3  
 SCALE 4:1

△	TAPE & REEL	△	1744160-3
	PACKAGING	△	PART NO

DIMENSIONS: mm [INCHES]		TOLERANCES UNLESS OTHERWISE SPECIFIED: 0 PLC ± 1 PLC ± 2 PLC ±0.13 (1.005) 3 PLC ± 4 PLC ± ANGLES 40° 30°		DWN K. WHITAKER 01AUG2005 CHK J. ELLIS 01AUG2005 APVD J. ELLIS 01AUG2005 NAME PRODUCT SPEC APPLICATION SPEC 114-1008 WEIGHT CUSTOMER DRAWING		Tyco Electronics Harrisburg, PA 17105-3608 PIN, .058 DIAMETER, BRASS, SOLID, P.C. CONTACT SIZE CAGE CODE DRAWING NO A 00779 C=1744160 SCALE 25:1 SHEET 1 OF 1 REV A	
----------------------------	--	---	--	--	--	--	--

