



Chipsmall Limited consists of a professional team with an average of over 10 year of expertise in the distribution of electronic components. Based in Hongkong, we have already established firm and mutual-benefit business relationships with customers from,Europe,America and south Asia,supplying obsolete and hard-to-find components to meet their specific needs.

With the principle of “Quality Parts,Customers Priority,Honest Operation,and Considerate Service”,our business mainly focus on the distribution of electronic components. Line cards we deal with include Microchip,ALPS,ROHM,Xilinx,Pulse,ON,Everlight and Freescale. Main products comprise IC,Modules,Potentiometer,IC Socket,Relay,Connector.Our parts cover such applications as commercial,industrial, and automotives areas.

We are looking forward to setting up business relationship with you and hope to provide you with the best service and solution. Let us make a better world for our industry!



## Contact us

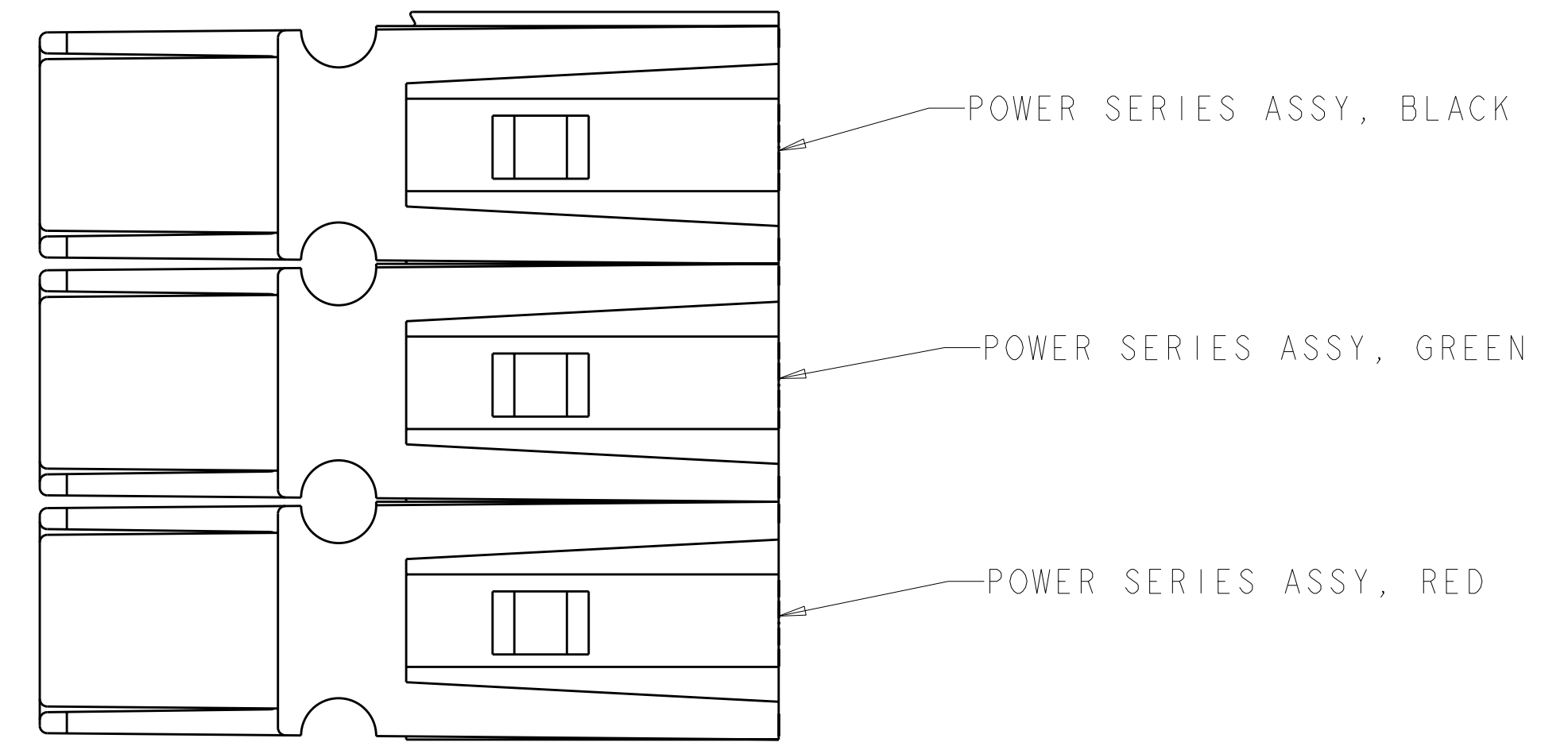
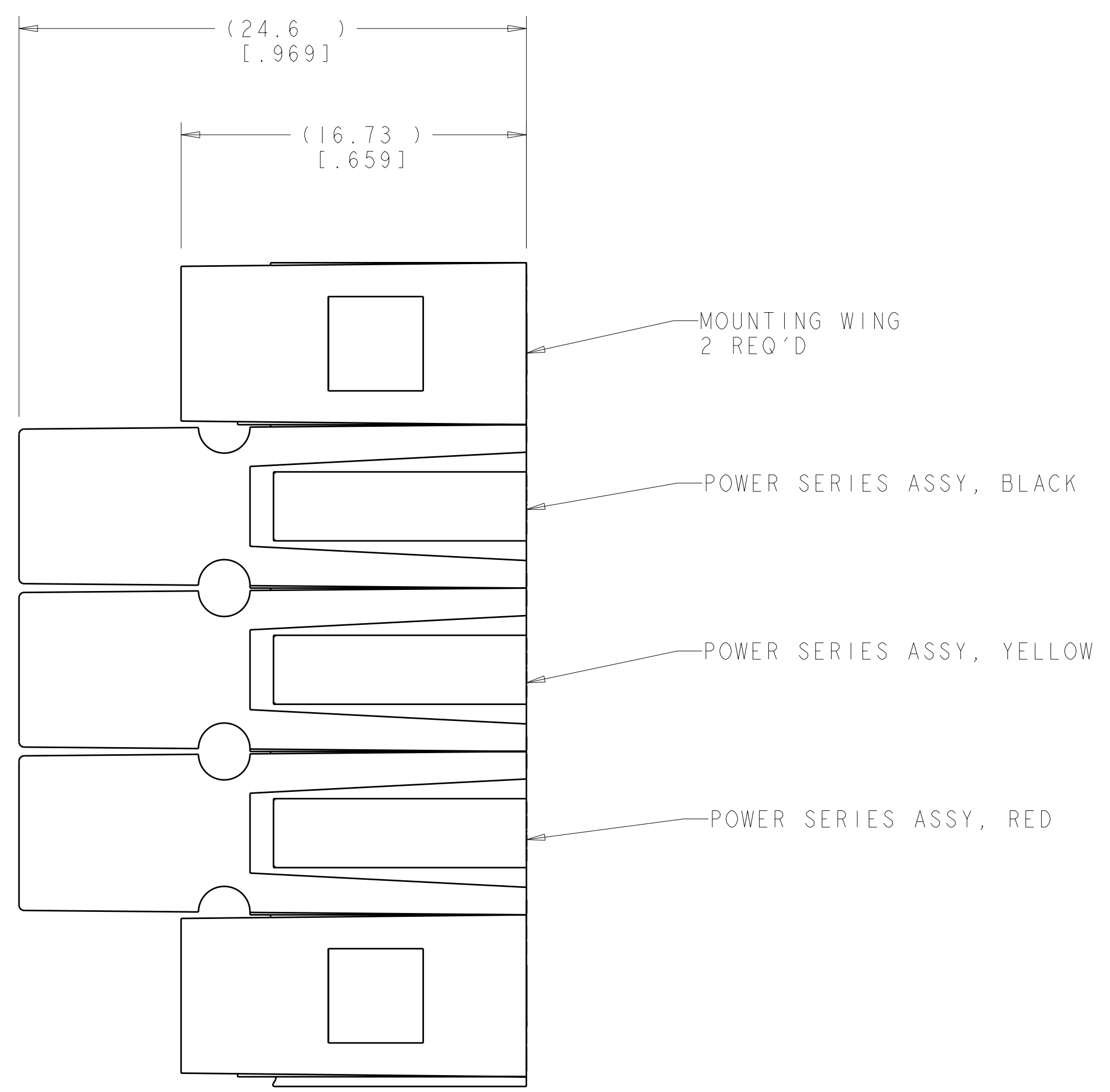
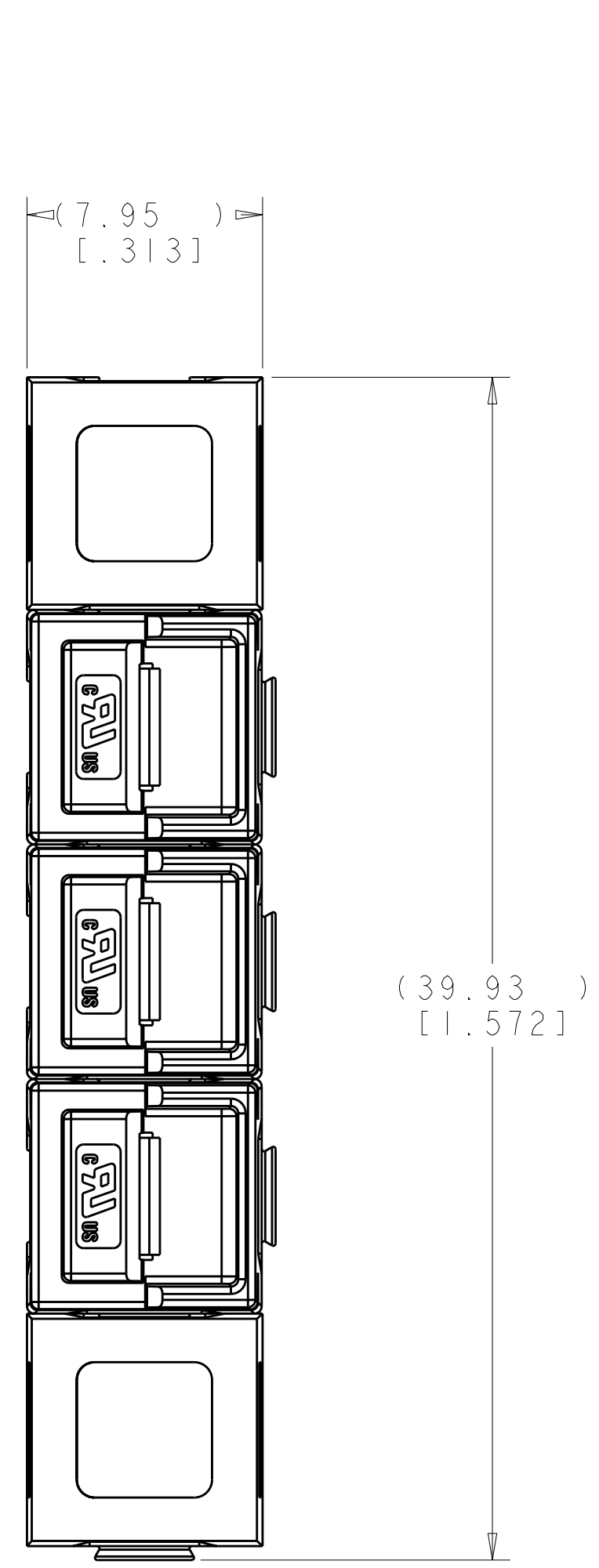
Tel: +86-755-8981 8866 Fax: +86-755-8427 6832

Email & Skype: info@chipsmall.com Web: www.chipsmall.com

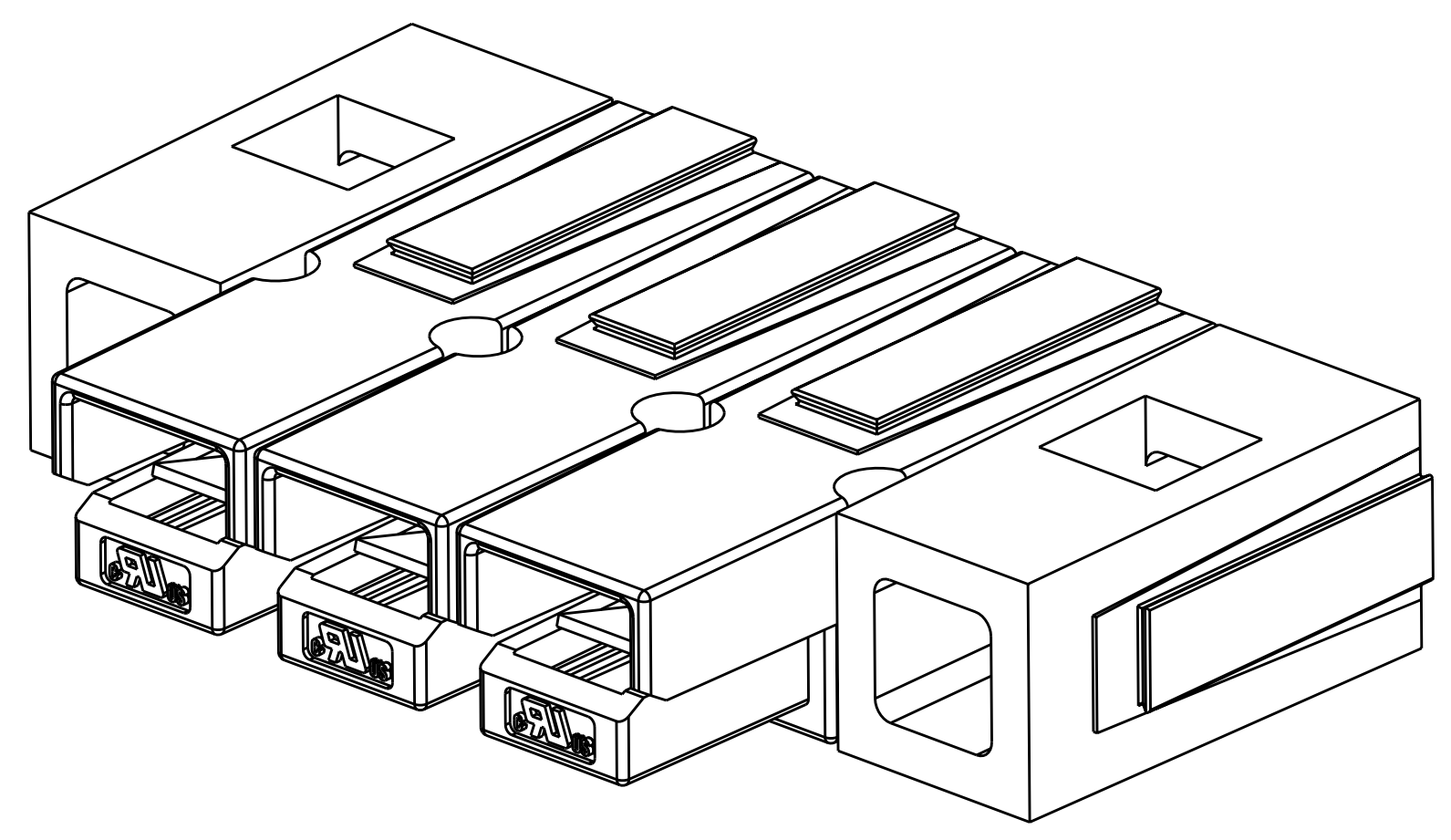
Address: A1208, Overseas Decoration Building, #122 Zhenhua RD., Futian, Shenzhen, China



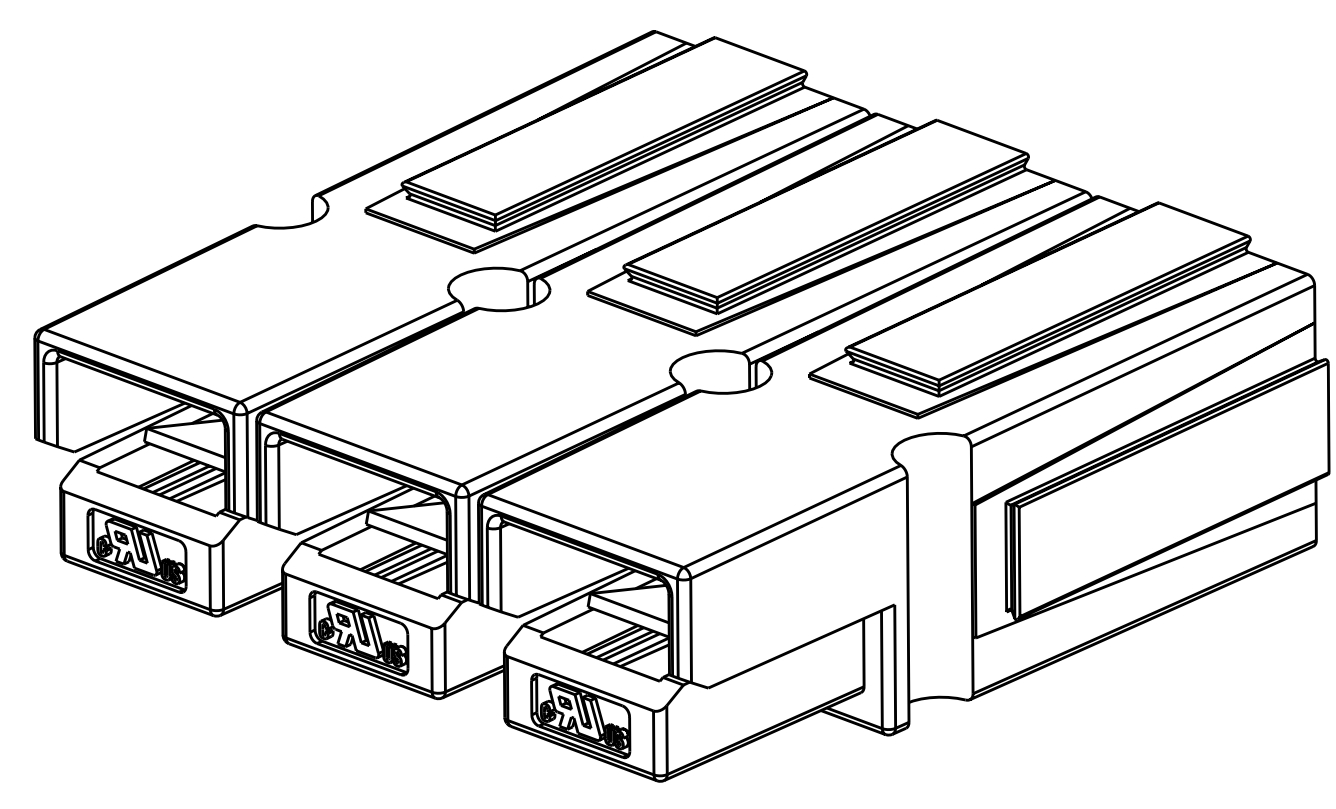
LOC	DIST	REVISIONS					
CM	00	P	LTN	DESCRIPTION	DATE	DWN	APVD
		A		REVISED PER ECO-05-016916	04JAN06	KW	JE
		A1		REVISED PER ECO-06-004222	22FEB06	KW	JE
		A2		REVISED PER ECO-09-004443	23FEB2009	SS	MS



-3 AS SHOWN



1744188-1  
(WITH MOUNTING WINGS)



1744188-2  
(WITHOUT MOUNTING WINGS)

2266.843	1744188-3
2266.843	1744188-2
3438.345	1744188-1
VOLUME (mm <sup>3</sup> )	PART NO

DIMENSIONS: mm 		TOLERANCES UNLESS OTHERWISE SPECIFIED: 0 PLC ± 1 PLC ±0.13 2 PLC ± 3 PLC ± 4 PLC ± ANGLES ±40°30'		DWN R. WHITAKER 04JAN2006 CHK J. ELLIS 04JAN2006 APVD J. ELLIS 04JAN2006		Tyco Electronics Harrisburg, PA 17105-3608	
MATERIAL: - FINISH: -		PRODUCT SPEC: - APPLICATION SPEC: - WEIGHT: SEE TABLE CUSTOMER DRAWING		NAME: ULTRASONICALLY WELDED ASSEMBLY, AMP POWER SERIES 15/30/45 SIZE: CAGE CODE DRAWING NO: A100779C=1744188 RESTRICTED TO: -		Tyco Electronics Harrisburg, PA 17105-3608	
SCALE: 5:1 SHEET 1 OF 1 REV A2				Tyco Electronics Harrisburg, PA 17105-3608			

