



Chipsmall Limited consists of a professional team with an average of over 10 year of expertise in the distribution of electronic components. Based in Hongkong, we have already established firm and mutual-benefit business relationships with customers from,Europe,America and south Asia,supplying obsolete and hard-to-find components to meet their specific needs.

With the principle of “Quality Parts,Customers Priority,Honest Operation,and Considerate Service”,our business mainly focus on the distribution of electronic components. Line cards we deal with include Microchip,ALPS,ROHM,Xilinx,Pulse,ON,Everlight and Freescale. Main products comprise IC,Modules,Potentiometer,IC Socket,Relay,Connector.Our parts cover such applications as commercial,industrial, and automotives areas.

We are looking forward to setting up business relationship with you and hope to provide you with the best service and solution. Let us make a better world for our industry!



Contact us

Tel: +86-755-8981 8866 Fax: +86-755-8427 6832

Email & Skype: info@chipsmall.com Web: www.chipsmall.com

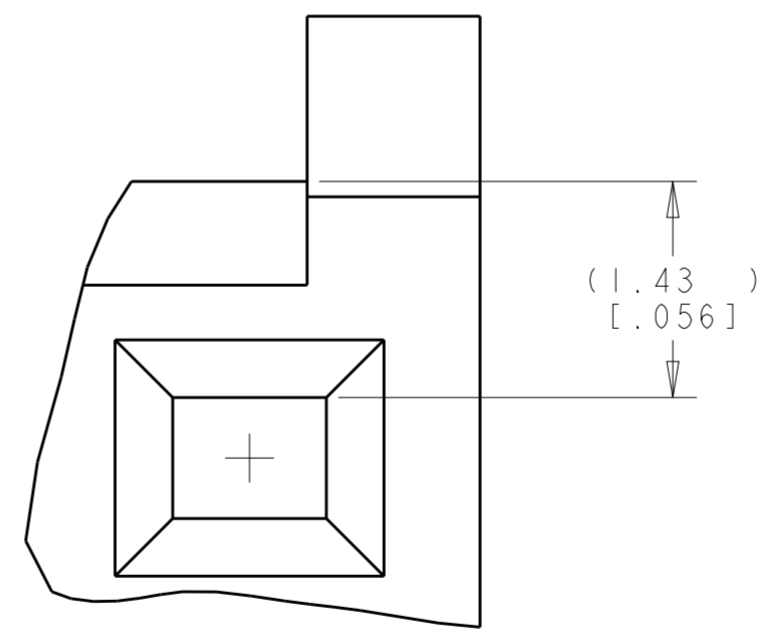
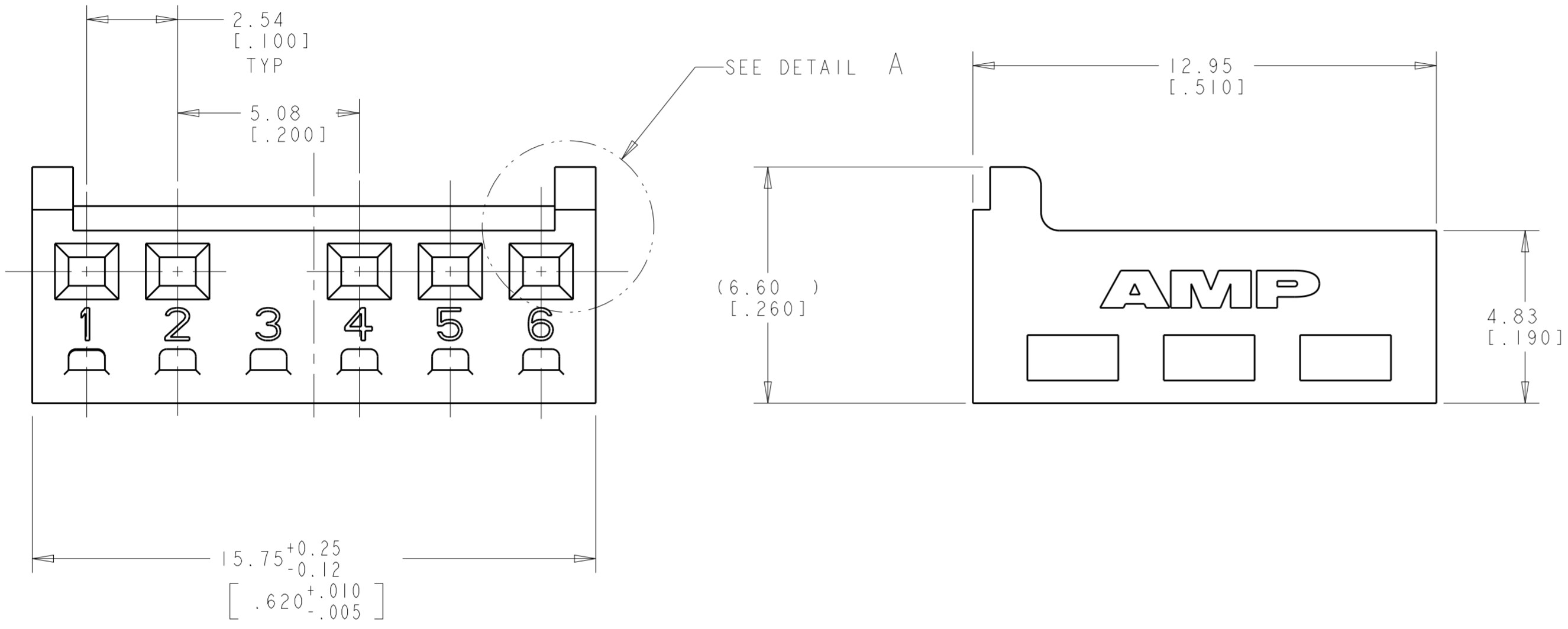
Address: A1208, Overseas Decoration Building, #122 Zhenhua RD., Futian, Shenzhen, China



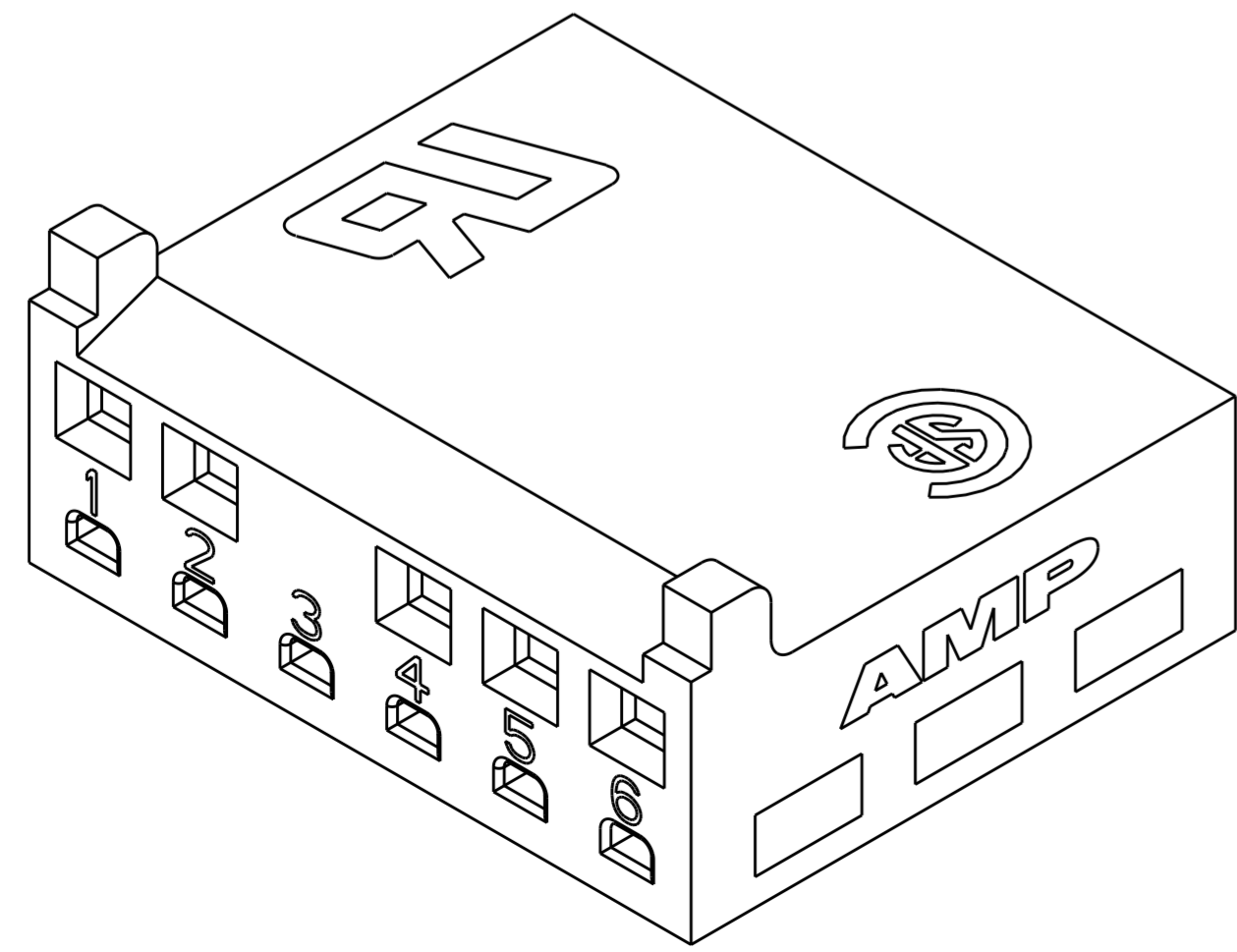
THIS DRAWING IS UNPUBLISHED. RELEASED FOR PUBLICATION 20
 © COPYRIGHT 20 BY - ALL RIGHTS RESERVED.

REVISIONS				
P	LTR	DESCRIPTION	DATE	APVD
C		REVISED PER ECR-13-015471	13NOV2013	KH TM

1. ACCEPTS CONTACT P/N 1375819.
 2. ACCEPTS MTA-100 KEYING PLUG P/N 641994-1.
 3. DIMENSIONS IN BRACKETS ARE IN INCHES.
 4. NOT FOR USE WITH CONTACT PART NUMBER 770601 OR 770666.
- △ 5 SUPERCEDED BY 1744329-1



DETAIL A
SCALE 20:1



△ 5	BLACK	0.027 IN ³	1744329-2
	NATURAL	0.027 IN ³	1744329-1
	COLOR	VOLUME	PART NUMBER

THIS DRAWING IS A CONTROLLED DOCUMENT.		DWN K. WHITAKER 12MAR2008	TE Connectivity		
DIMENSIONS: mm [INCHES]		CHK S. RIDGILL 2MAR2008			NAME HOUSING, CIRCUIT 3 BLOCKED, CST-100 II
TOLERANCES UNLESS OTHERWISE SPECIFIED:		APVD S. RIDGILL 2MAR2008			SIZE A200779
0 PLC ± 1 PLC ± 2 PLC ±0.13 [.005] 3 PLC ± 4 PLC ± ANGLES ± FINISH -		PRODUCT SPEC 108-1948 APPLICATION SPEC 114-13036 WEIGHT -			DRAWING NO C-1744329 RESTRICTED TO -
MATERIAL NYLON		Customer Drawing	SCALE 8:1	SHEET 1 OF 1	REV C