



Chipsmall Limited consists of a professional team with an average of over 10 year of expertise in the distribution of electronic components. Based in Hongkong, we have already established firm and mutual-benefit business relationships with customers from,Europe,America and south Asia,supplying obsolete and hard-to-find components to meet their specific needs.

With the principle of “Quality Parts,Customers Priority,Honest Operation,and Considerate Service”,our business mainly focus on the distribution of electronic components. Line cards we deal with include Microchip,ALPS,ROHM,Xilinx,Pulse,ON,Everlight and Freescale. Main products comprise IC,Modules,Potentiometer,IC Socket,Relay,Connector.Our parts cover such applications as commercial,industrial, and automotives areas.

We are looking forward to setting up business relationship with you and hope to provide you with the best service and solution. Let us make a better world for our industry!



Contact us

Tel: +86-755-8981 8866 Fax: +86-755-8427 6832

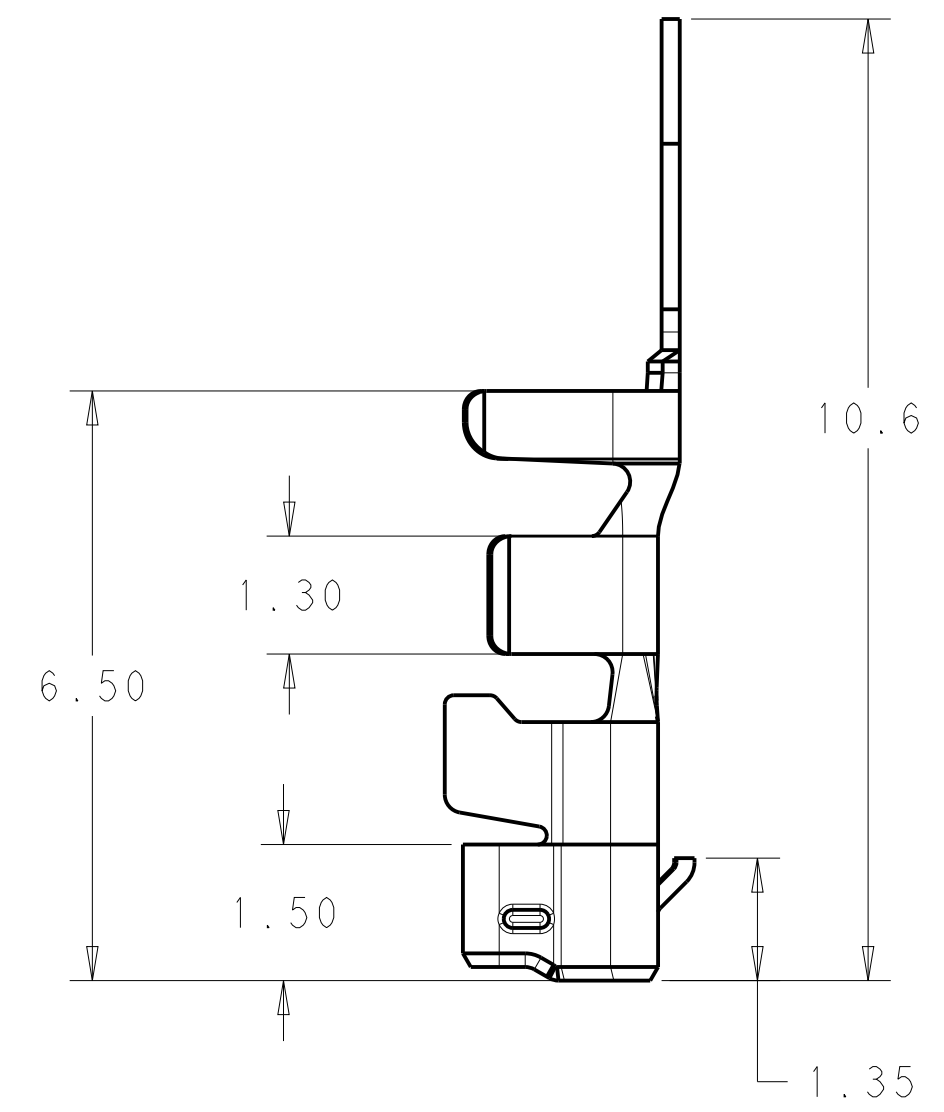
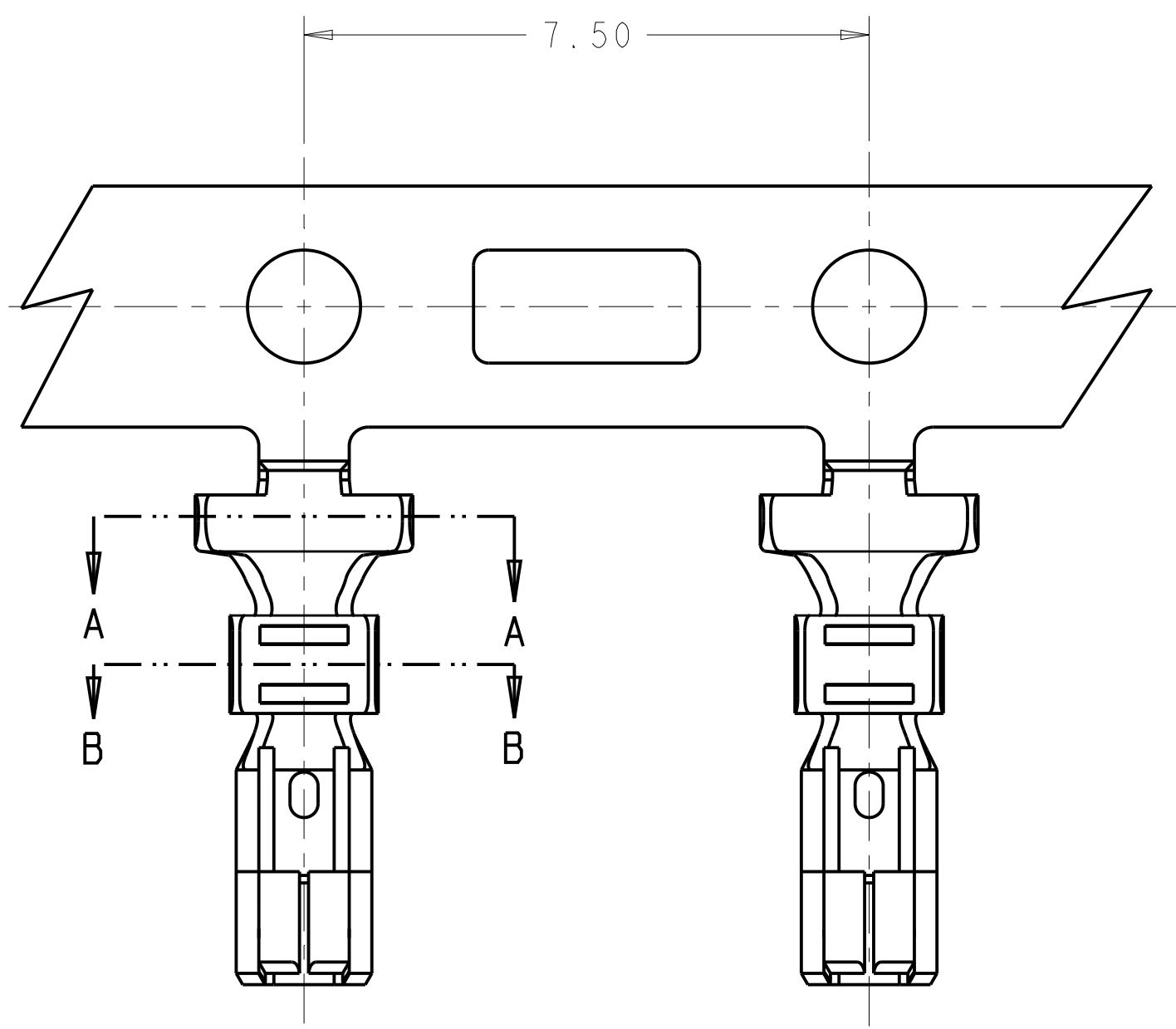
Email & Skype: info@chipsmall.com Web: www.chipsmall.com

Address: A1208, Overseas Decoration Building, #122 Zhenhua RD., Futian, Shenzhen, China

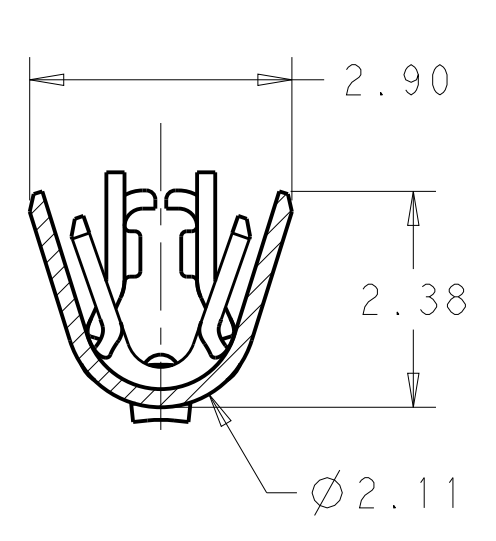
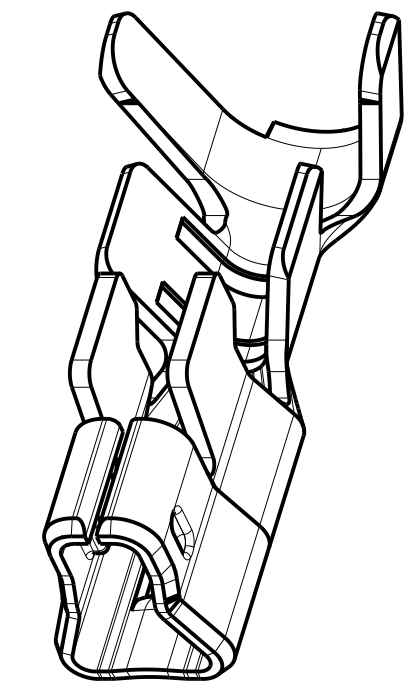


THIS DRAWING IS UNPUBLISHED. RELEASED FOR PUBLICATION 2011
 © COPYRIGHT 2011 ALL RIGHTS RESERVED.

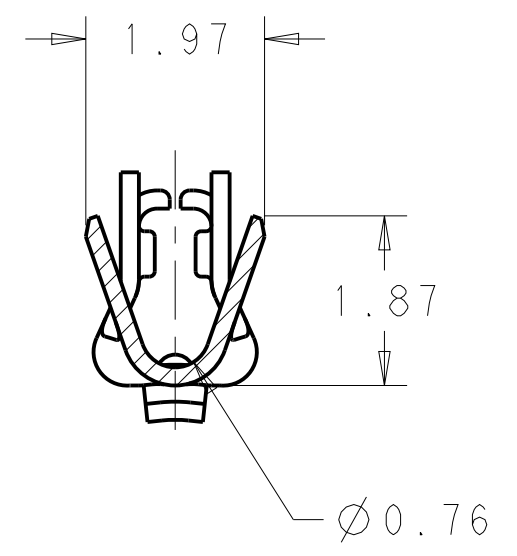
REVISIONS				
P	LTR	DESCRIPTION	DATE	APVD
B		REVISED PER ECR-14-000588	29JAN2014	NK TM



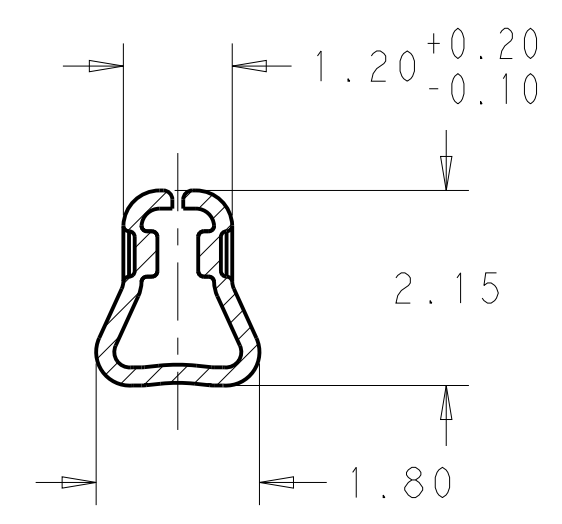
- 1 MATERIAL: PHOSPHOR BRONZE
- 2 FINISH: PRE-TIN
- 3. DESIGNED FOR USE IN HOUSINGS 1969442-() OR 2110992-().
- 4. CONTACTS COATED WITH ANTI-FRETTING LUBRICANT.
- 5. CONTACT IS RoHS COMPLIANT.
- 6. WIRE RANGE: 0.20-0.56mm2 [24-20 AWG] STRANDED.
- 7. INSULATION RANGE: 1.3-1.9 [.051-.075]
- 8. THIS PRODUCT HAS NOT COMPLETED VALIDATION TESTING



SECTION A-A



SECTION B-B



SECTION C-C

1744423-1
PART NUMBER

THIS DRAWING IS A CONTROLLED DOCUMENT.		DWN KIRAN HOLAL 27DEC2011	TE Connectivity	
DIMENSIONS: mm		CHK SAMUEL MACE 27DEC2011		
TOLERANCES UNLESS OTHERWISE SPECIFIED:		APVD SAMUEL MACE 27DEC2011	NAME CONTACT, ECONOMY POWER 2.5 RECEPTACLE	
0 PLC ± 1 PLC ±0.5 2 PLC ±0.3 3 PLC ± 4 PLC ± ANGLES ±1° FINISH		PRODUCT SPEC 108-2418	SIZE A200779	DRAWING NO C-1744423
MATERIAL - 1		APPLICATION SPEC 114-13315	RESTRICTED TO -	SCALE 14:1
		WEIGHT -	SHEET 1 OF 1	REV B
		Customer Drawing		