



Chipsmall Limited consists of a professional team with an average of over 10 year of expertise in the distribution of electronic components. Based in Hongkong, we have already established firm and mutual-benefit business relationships with customers from,Europe,America and south Asia,supplying obsolete and hard-to-find components to meet their specific needs.

With the principle of "Quality Parts,Customers Priority,Honest Operation,and Considerate Service",our business mainly focus on the distribution of electronic components. Line cards we deal with include Microchip,ALPS,ROHM,Xilinx,Pulse,ON,Everlight and Freescale. Main products comprise IC,Modules,Potentiometer,IC Socket,Relay,Connector.Our parts cover such applications as commercial,industrial, and automotives areas.

We are looking forward to setting up business relationship with you and hope to provide you with the best service and solution. Let us make a better world for our industry!



Contact us

Tel: +86-755-8981 8866 Fax: +86-755-8427 6832

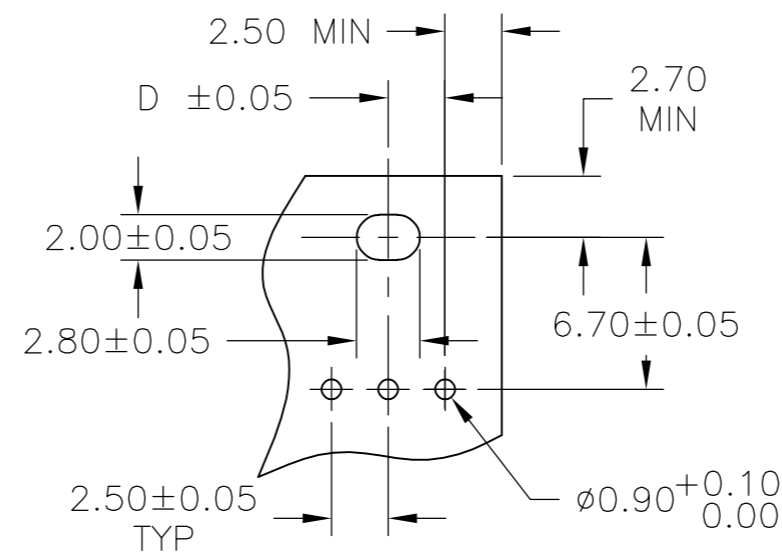
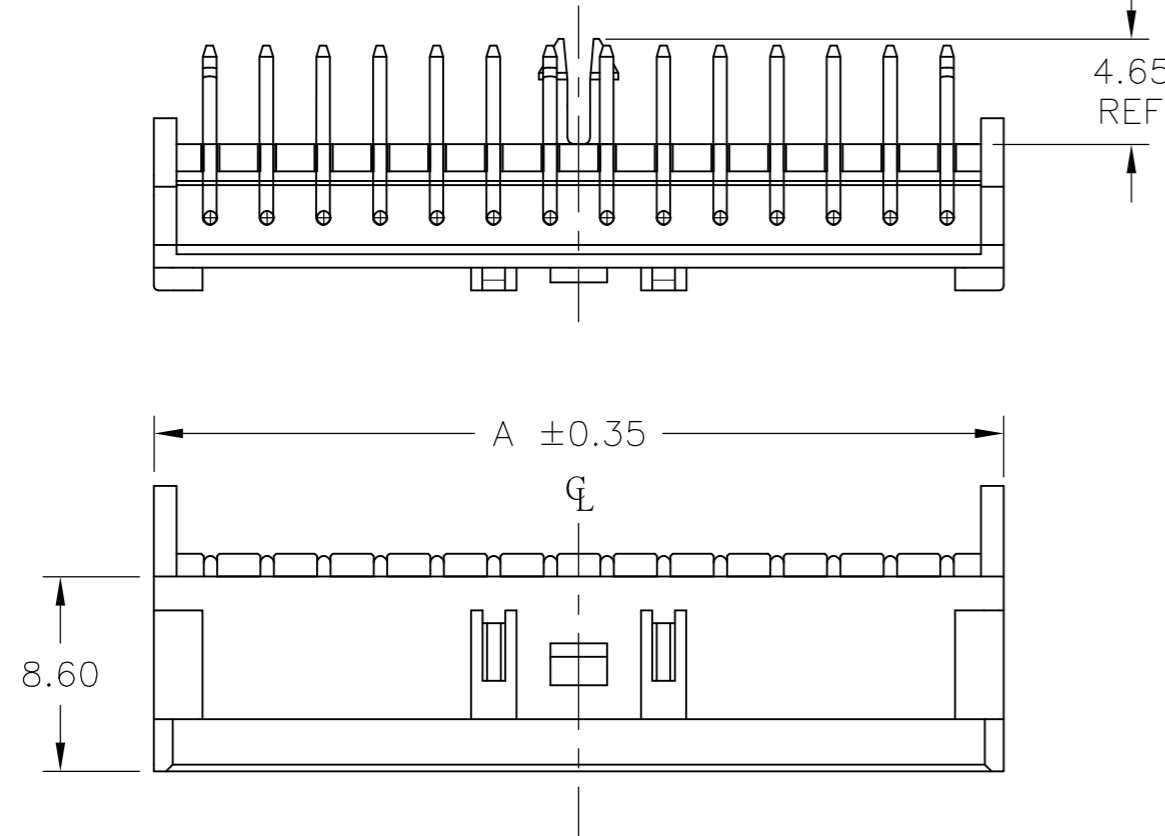
Email & Skype: info@chipsmall.com Web: www.chipsmall.com

Address: A1208, Overseas Decoration Building, #122 Zhenhua RD., Futian, Shenzhen, China



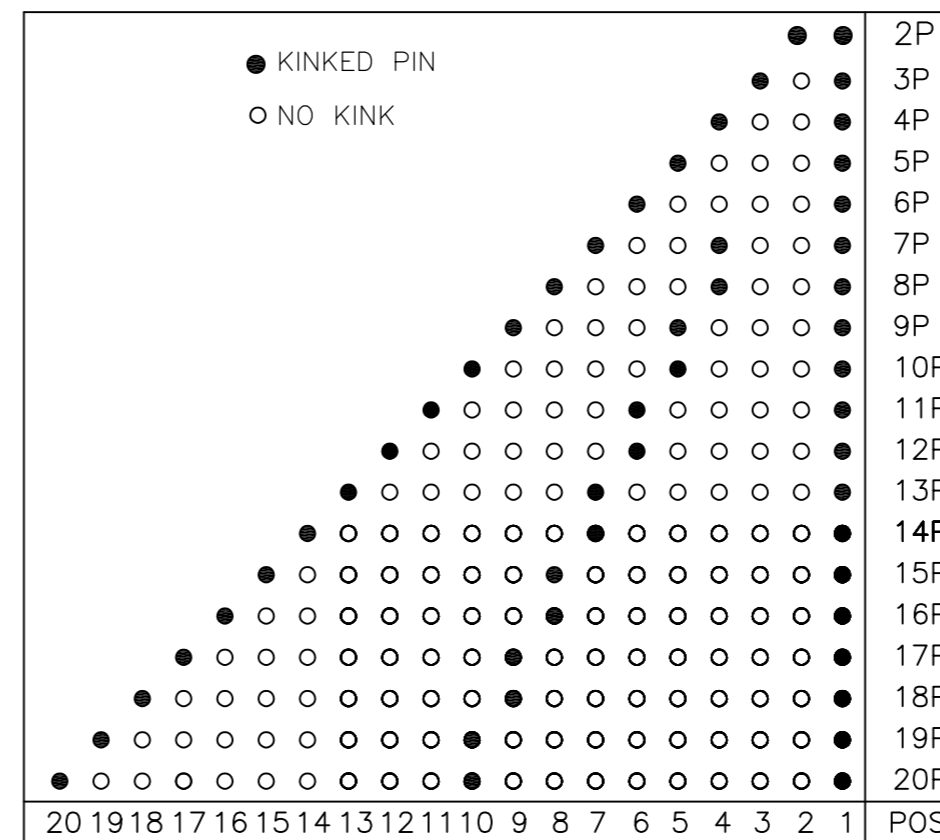
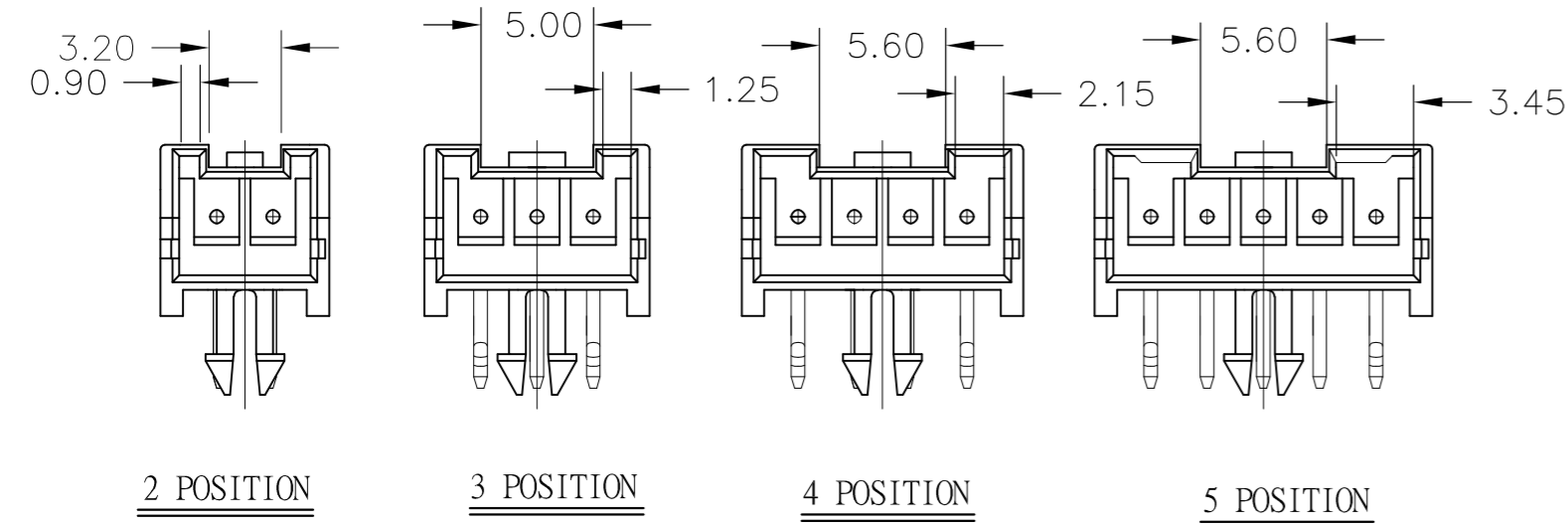
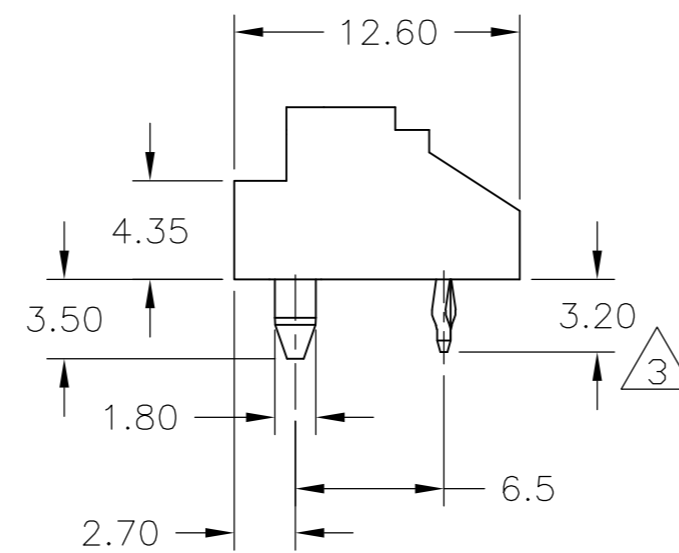
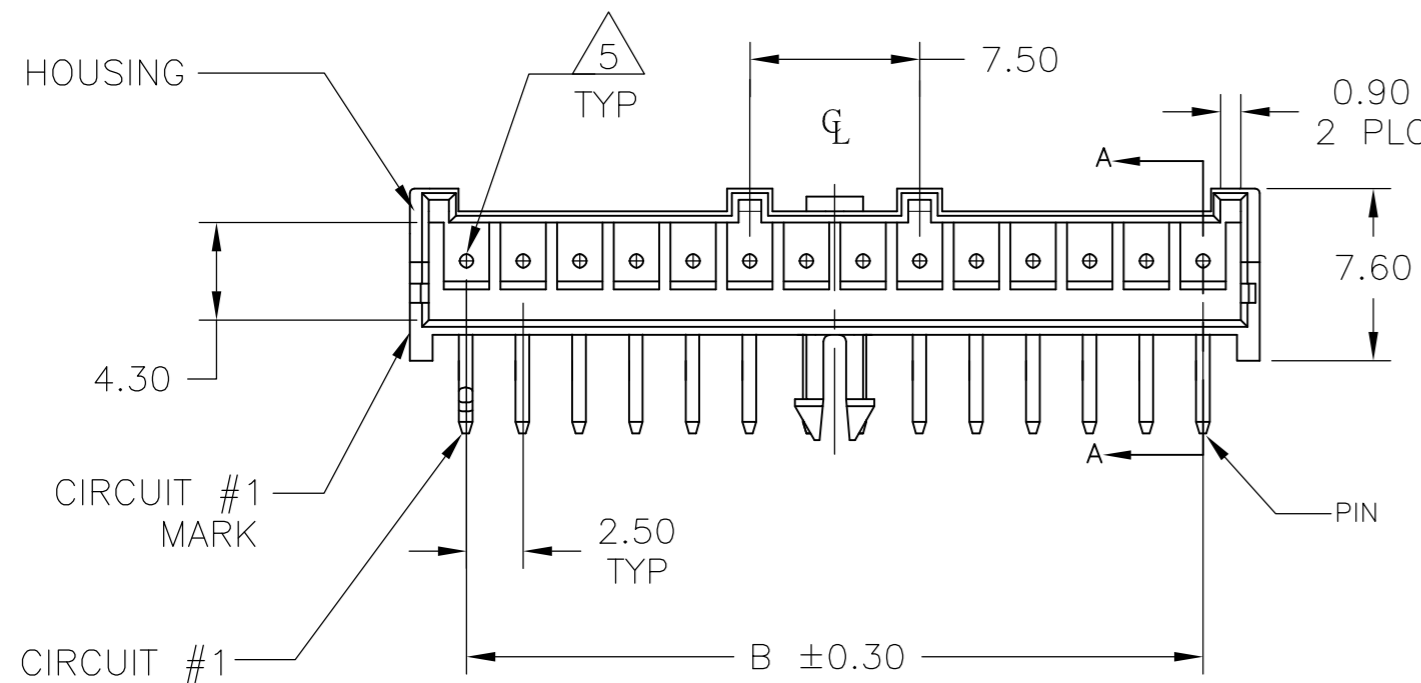
THIS DRAWING IS UNPUBLISHED. RELEASED FOR PUBLICATION
 © COPYRIGHT - By - ALL RIGHTS RESERVED.

REVISIONS					
P	LTR	DESCRIPTION	DATE	DWN	APVD
F1		REVISED PER ECR-16-010647	08OCT2016	O.C	D.Z



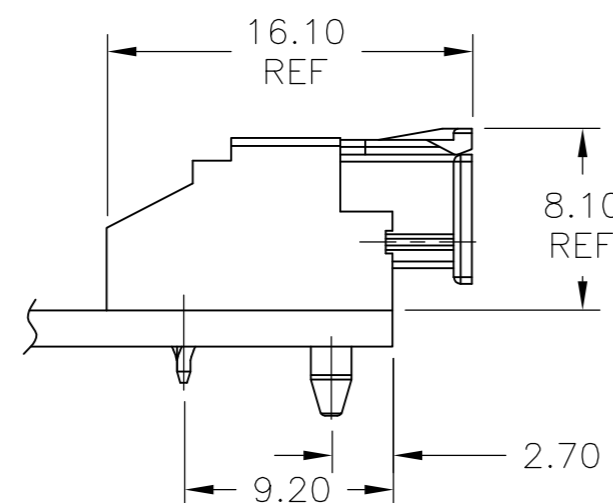
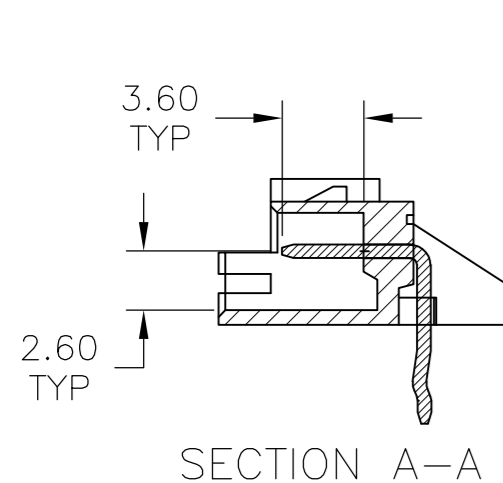
RECOMMENDED PCB LAYOUT

- MATERIAL, HOUSING: NYLON UL94V0, NATURAL. PIN: COPPER ALLOY
- FINISH: PIN: BRIGHT TIN OVER NICKEL UNDERPLATED OVER ALL
- PIN SOLDER TAIL KIND DIRECTION (BOARD LOCK), SEE TABLE BELOW.
- COMPLY WITH GLOW WIRE REQUIREMENTS FOR PARTS OF NON-METALLIC MATERIAL SUPPORTING A CURRENT-CARRYING CONNECTION DETAILED IN IEC 60335-1, SECTION 30(GWT).
- PIN RETENTION: 12 NEWTONS [2.7 LBF] MIN.



POSITION OF KINK

31.25	47.50	52.50	20	2-1744446-0
28.75	45.00	50.00	19	1-1744446-9
26.25	42.50	47.50	18	1-1744446-8
23.75	40.00	45.00	17	1-1744446-7
21.25	37.50	42.50	16	1-1744446-6
18.75	35.00	40.00	15	1-1744446-5
16.25	32.50	37.50	14	1-1744446-4
15.00	30.00	35.00	13	1-1744446-3
13.75	27.50	32.50	12	1-1744446-2
12.50	25.00	30.00	11	1-1744446-1
11.25	22.50	27.50	10	1-1744446-0
10.00	20.00	25.00	9	1744446-9
8.75	17.50	22.50	8	1744446-8
7.50	15.00	20.00	7	1744446-7
6.25	12.50	17.50	6	1744446-6
5.00	10.00	15.00	5	1744446-5
3.75	7.50	12.50	4	1744446-4
2.50	5.00	10.00	3	1744446-3
1.25	2.50	7.50	2	1744446-2
DIM C	DIM B	DIM A	POS	PART NO.



THIS DRAWING IS A CONTROLLED DOCUMENT.

DIMENSIONS: mm	TOLERANCES UNLESS OTHERWISE SPECIFIED:	DWN: JR RUTH 17JUL12	TE Connectivity	
		CHK: SAM MACE 17JUL12	NAME: HEADER HOUSING ASSEMBLY, EP 2.5 RIGHT ANGLE GLOW WIRE	
		APVD: SAM MACE 17JUL12	SIZE: A2	CAGE CODE: 00779
		PRODUCT SPEC: 108-2418	DRAWING NO: C=1744446	RESTRICTED TO: -
		APPLICATION SPEC: 114-13315	SCALE: N/A	SHEET: 1 OF 1
MATERIAL: -	FINISH: -	WEIGHT: 0	REV: F1	
CUSTOMER DRAWING				