



Chipsmall Limited consists of a professional team with an average of over 10 year of expertise in the distribution of electronic components. Based in Hongkong, we have already established firm and mutual-benefit business relationships with customers from,Europe,America and south Asia,supplying obsolete and hard-to-find components to meet their specific needs.

With the principle of “Quality Parts,Customers Priority,Honest Operation,and Considerate Service”,our business mainly focus on the distribution of electronic components. Line cards we deal with include Microchip,ALPS,ROHM,Xilinx,Pulse,ON,Everlight and Freescale. Main products comprise IC,Modules,Potentiometer,IC Socket,Relay,Connector.Our parts cover such applications as commercial,industrial, and automotives areas.

We are looking forward to setting up business relationship with you and hope to provide you with the best service and solution. Let us make a better world for our industry!



Contact us

Tel: +86-755-8981 8866 Fax: +86-755-8427 6832

Email & Skype: info@chipsmall.com Web: www.chipsmall.com

Address: A1208, Overseas Decoration Building, #122 Zhenhua RD., Futian, Shenzhen, China



4

3

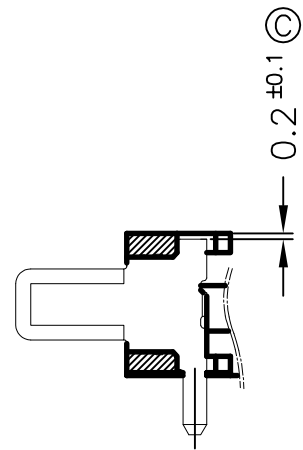
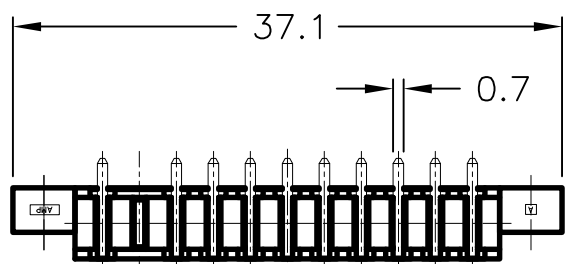
2

1

THIS DRAWING IS UNPUBLISHED. RELEASED FOR PUBLICATION

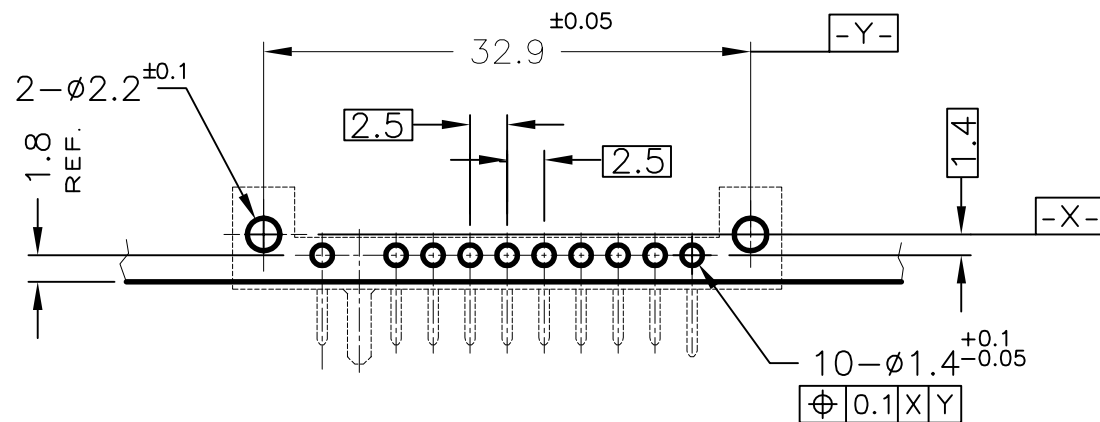
© COPYRIGHT BY TYCO ELECTRONICS CORPORATION. ALL RIGHTS RESERVED.

LOC	DIST	REVISIONS						
		P	LTR	DESCRIPTION	DATE	DWN	APVD	
ES		O		RELEASED	FJB0-1037-03	02DEC03	T.K	K.I
		B		REVISED	FJB0-0196-04	17MAR04	R.T	K.I
		E		REVISED PER ECR-10-011717		30MAY2010	S.W	S.Y

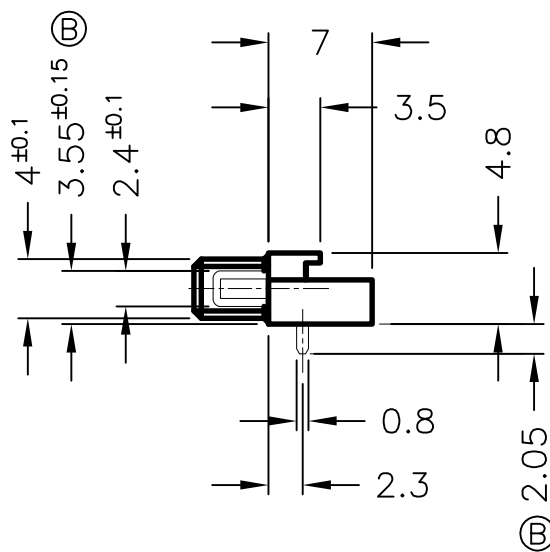
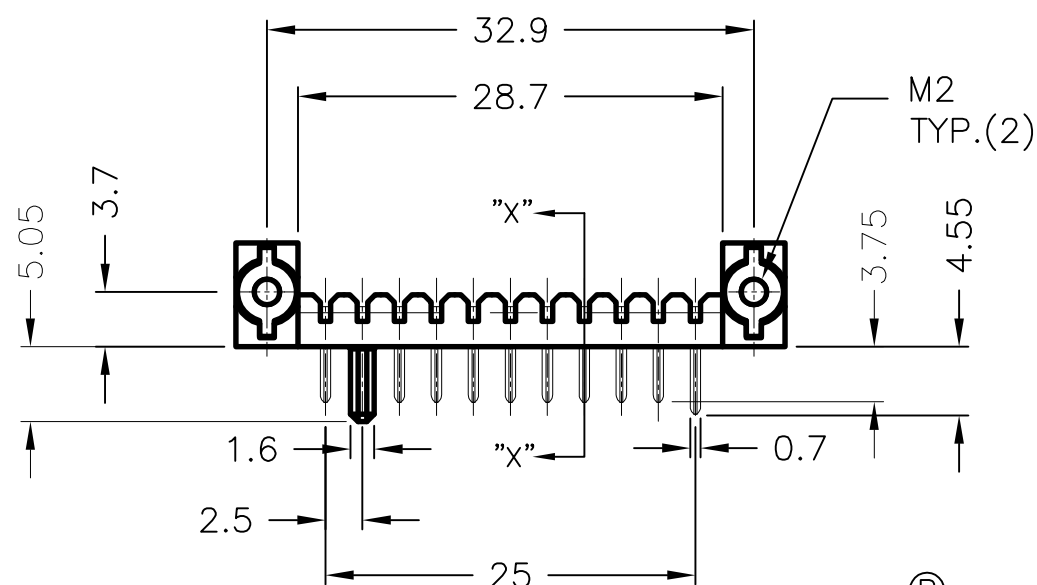


SECTION X-X SCALE 4:1

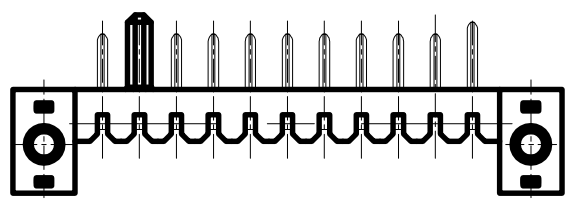
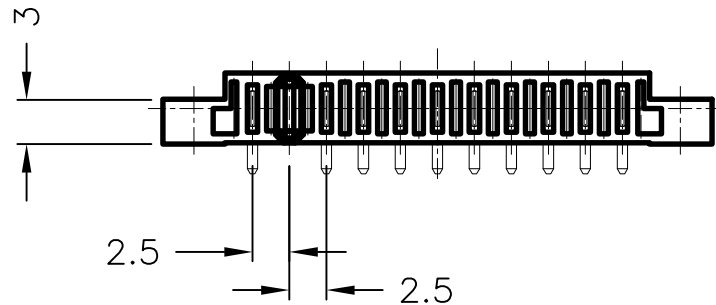
1746092-1 : AS SHOWN



REFERENCE P.C. BOARD LAYOUT P.C. BOARD THK 0.8~1.2 (VIEW FROM CONNECTOR MOUNTING SIDE)



- ① MATERIAL HOUSING : LCP, UL94V-0
COLOR ; BLACK
CONTACT : COPPER ALLOY
NUT PLATE : STAINLESS STEEL
- ② FINISH CONTACT : Ni 2μm MIN. ALL OVER UNDER PL
Au PL. 0.3μm MIN. AT CONTACT AREA
Au FLUSH PL. 0.05~0.15μm AT LEAD AREA



THIS DRAWING IS A CONTROLLED DOCUMENT.		DWN T.KATANO 02DEC03	Tyco Electronics Shanghai, P.R.China, 200233	
DIMENSIONS: MM		CHK T.KIMURA 02DEC03	NAME PLUG ASSY REVERSE TYPE 2.5mm PITCH BATTERY CONNECTOR (10POS.)	
TOLERANCES UNLESS OTHERWISE SPECIFIED: ∅-PLC ± 0.15 1-PLC ± 2-PLC ± 3-PLC ± 4-PLC ± ANGLES ± 3'		APVD K.IKEGAMI 02DEC03	PRODUCT SPEC 108-5775	
MATERIAL		APPLICATION SPEC		RESTRICTED TO
FINISH		WEIGHT	SIZE A3	CAGE CODE 00779
		DRAWING NO C=1746092		REV E
		CUSTOMER DRAWING		SCALE 2:1 SHEET 1 OF 1