



Chipsmall Limited consists of a professional team with an average of over 10 year of expertise in the distribution of electronic components. Based in Hongkong, we have already established firm and mutual-benefit business relationships with customers from,Europe,America and south Asia,supplying obsolete and hard-to-find components to meet their specific needs.

With the principle of “Quality Parts,Customers Priority,Honest Operation,and Considerate Service”,our business mainly focus on the distribution of electronic components. Line cards we deal with include Microchip,ALPS,ROHM,Xilinx,Pulse,ON,Everlight and Freescale. Main products comprise IC,Modules,Potentiometer,IC Socket,Relay,Connector.Our parts cover such applications as commercial,industrial, and automotives areas.

We are looking forward to setting up business relationship with you and hope to provide you with the best service and solution. Let us make a better world for our industry!



Contact us

Tel: +86-755-8981 8866 Fax: +86-755-8427 6832

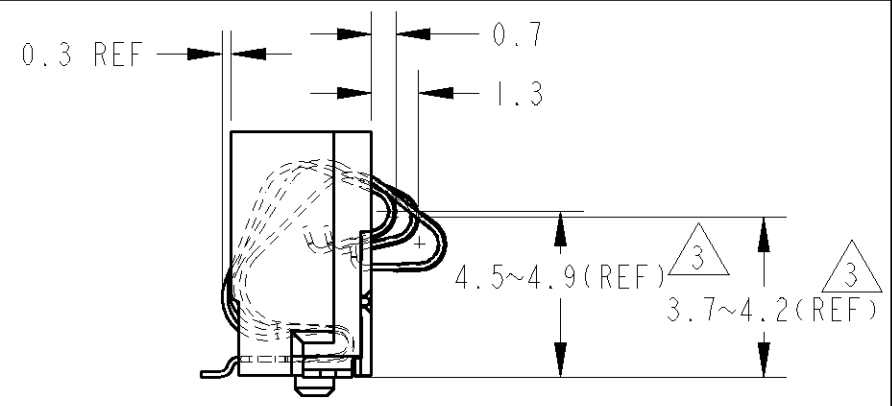
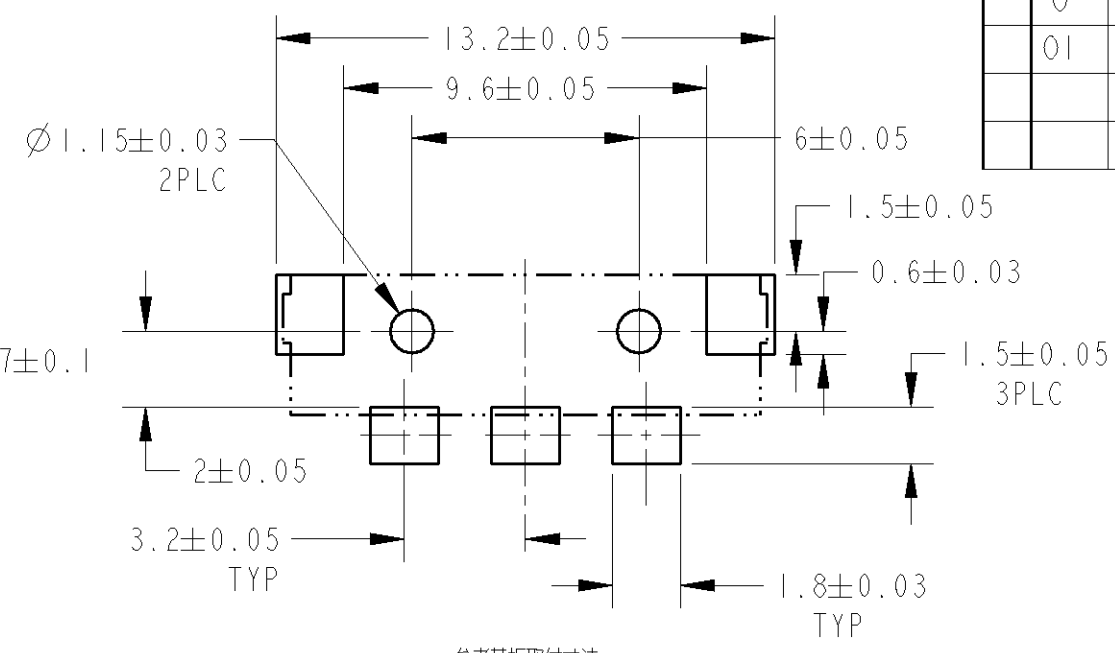
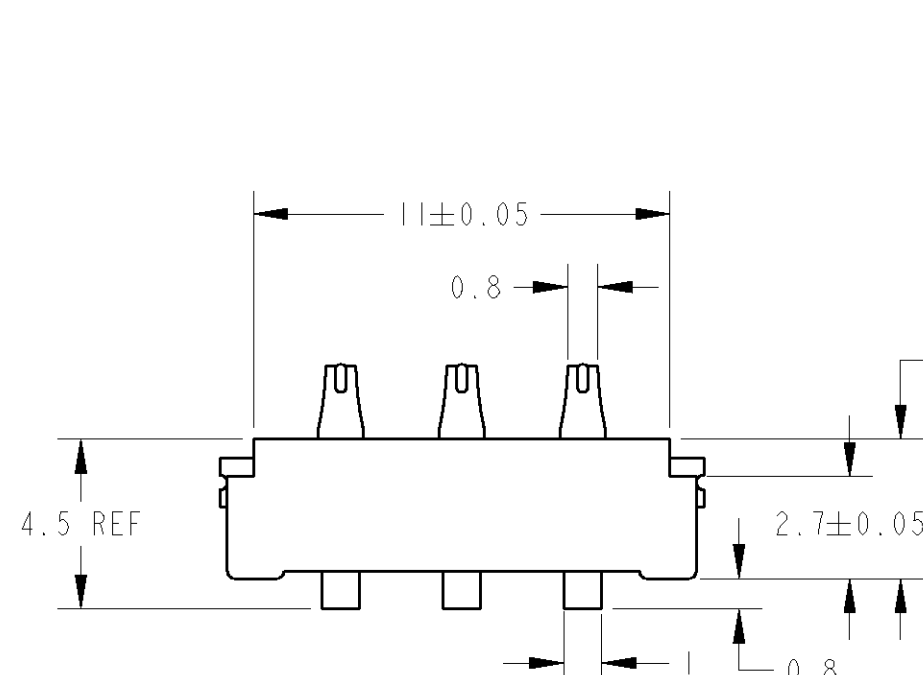
Email & Skype: info@chipsmall.com Web: www.chipsmall.com

Address: A1208, Overseas Decoration Building, #122 Zhenhua RD., Futian, Shenzhen, China

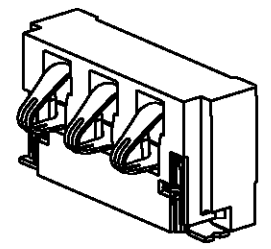
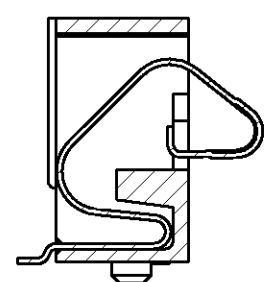
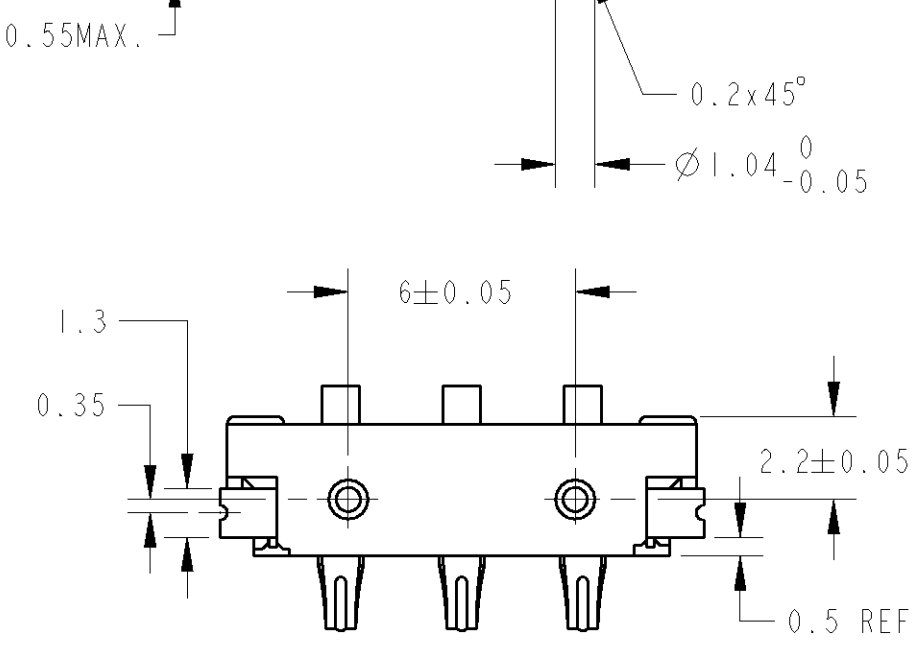
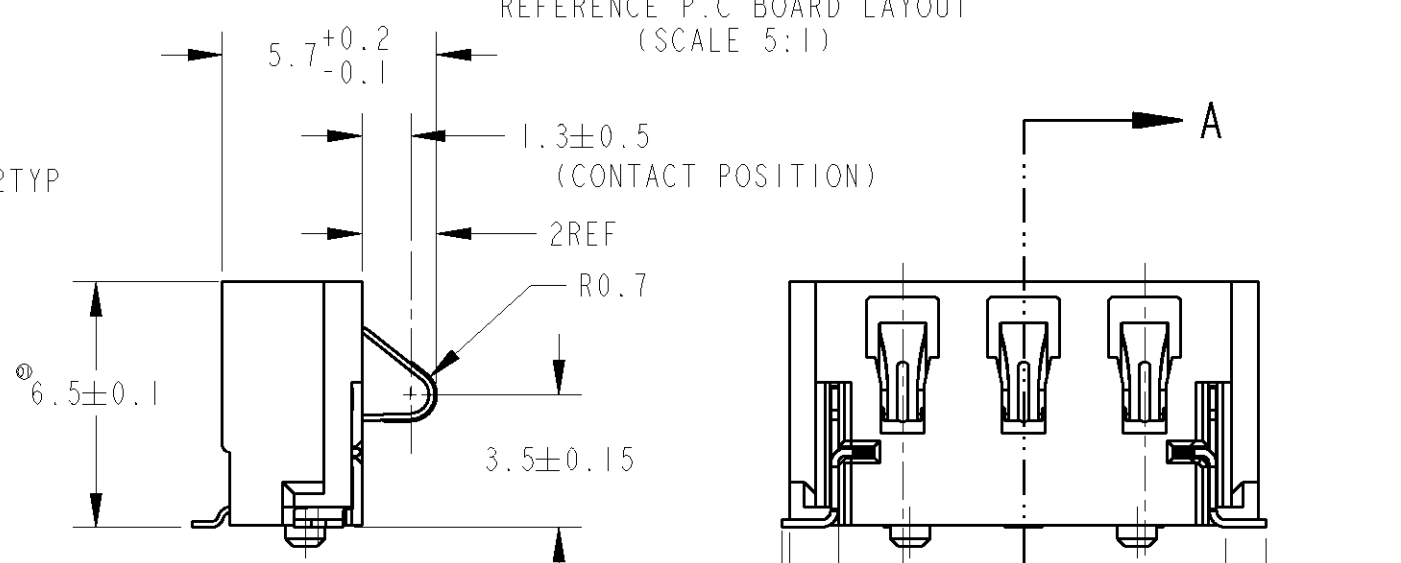
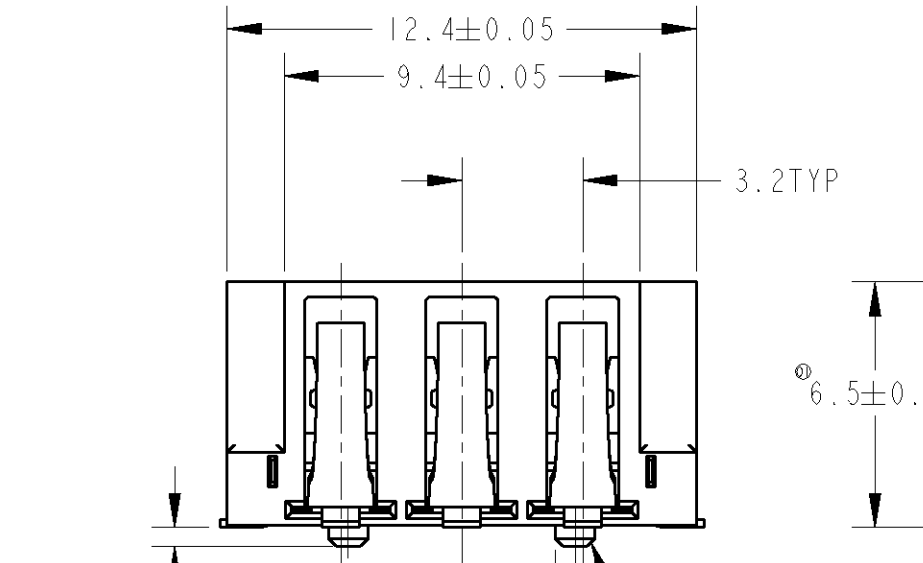


THIS DRAWING IS UNPUBLISHED. RELEASED FOR PUBLICATION
 © COPYRIGHT 20 BY TYCO ELECTRONICS CORPORATION. ALL RIGHTS RESERVED.

LOC	DIST	REVISIONS					
J	-	P	LTR	DESCRIPTION	DATE	DWN	APVD
		0		RELEASED	FJB0-0294-04	23MAR04	T.K K.I
		01		REVISED	FJB0-1317-04	24NOV04	T.K K.I



参考基板取付寸法
 REFERENCE P.C BOARD LAYOUT
 (SCALE 5:1)



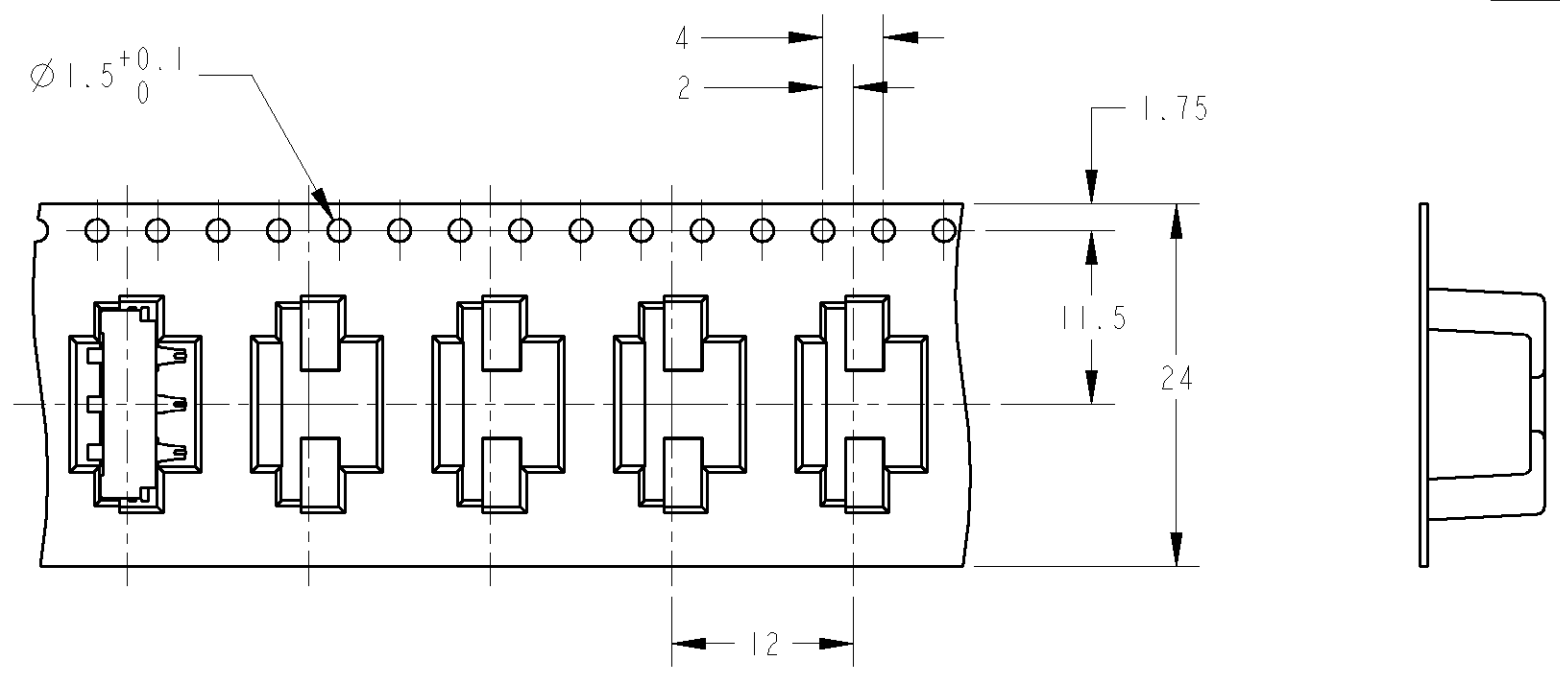
- ストローク時参考寸法
- 1 材料
 コンタクト: 銅合金
 ハウジング: 6Tナイロン, UL94V-0, 黒
 ソルダペース: 銅合金
 - 2 仕上げ
 コンタクト: ニッケル下地めっき1.27µm以上
 接点部: 金めっき1µm以上
 半田付け部: 金フラッシュめっき0.05~0.13µm
 ソルダペース: ニッケル下地めっき1µm以上
 錫めっき1µm以上
 - 3 ストローク時接点位置(ワイピング量)は相手側パッドとの摩擦係数に依存する。
- 1 MATERIAL
 CONTACT: COPPER ALLOY
 HOUSING: 6T PA, UL94V-0, BLACK
 SOLDER PEG: COPPER ALLOY
- 2 FINISH
 CONTACT: NICKEL ALL OVER UNDER PLATING,
 THK. 1.27µm MIN.
 GOLD PLATING AT CONTACT AREA,
 THK. 1µm MIN.
 GOLD FLASH PLATING AT LEAD AREA,
 THK. 0.05~0.13µm.
 SOLDER PEG: NICKEL ALL OVER UNDER PLATING,
 THK. 1µm MIN.
 TIN PLATING, THK. 1µm MIN.
- 3 DEPEND ON FRICTION COEFFICIENT
 AGAINST PAD OF BATTERY PACK.

1746142-1: AS SHOWN

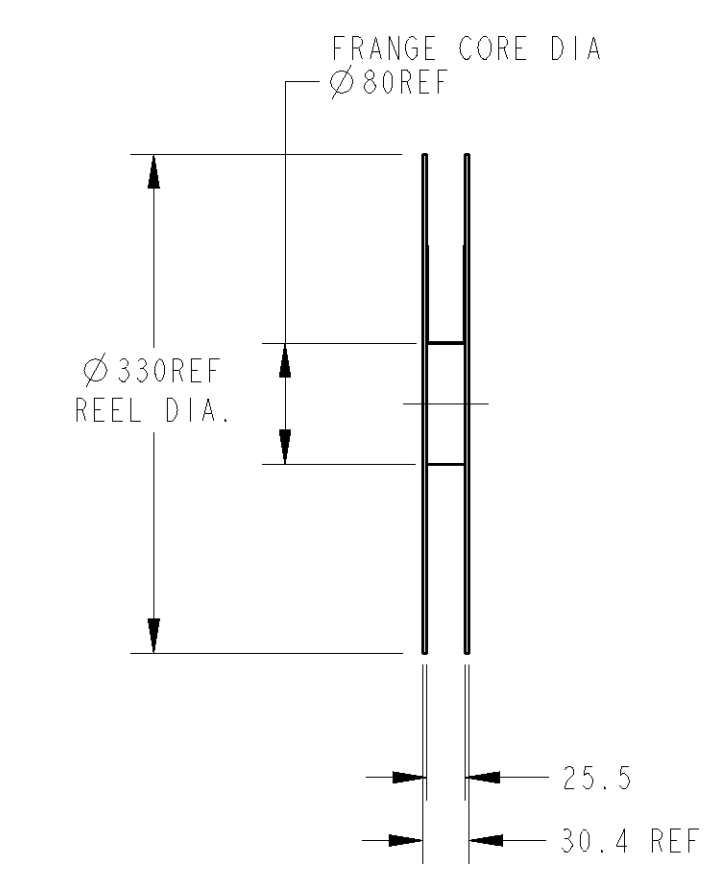
THIS DRAWING IS A CONTROLLED DOCUMENT FOR TYCO ELECTRONICS CORPORATION IT IS SUBJECT TO CHANGE AND THE CONTROLLING ENGINEERING ORGANIZATION SHOULD BE CONTACTED FOR THE LATEST REVISION.		DWN T.KATANO 23MAR04 CHK T.KIMURA 23MAR04 APVD K.IKEGAMI 23MAR04	tyco Electronics Tyco Electronics AMP K.K. Kawasaki, Japan
DIMENSIONS: 単位: 英 mm	TOLERANCES UNLESS OTHERWISE SPECIFIED: 一般公差 ±0.3 0-PLC ± 1-PLC ±0.1 2-PLC ±0.01 3-PLC ±0.001 4-PLC ±0.0001 ANGLES ±3°	PRODUCT SPEC 製品規格 108-5956 APPLICATION SPEC 取付適用規格 -	NAME 名称 LEAF BATTERY CONNECTOR 3POS.
MATERIAL 材料 1	FINISH 仕上 2	WEIGHT 0.4g CUSTOMER DRAWING	SIZE A3 CAGE CODE 00779 DRAWING NO. 1746142 RESTRICTED TO -
		SCALE 5:1 SHEET 1 OF 2 REV 01	

THIS DRAWING IS UNPUBLISHED. RELEASED FOR PUBLICATION 20
 © COPYRIGHT 20 BY TYCO ELECTRONICS CORPORATION. ALL RIGHTS RESERVED.

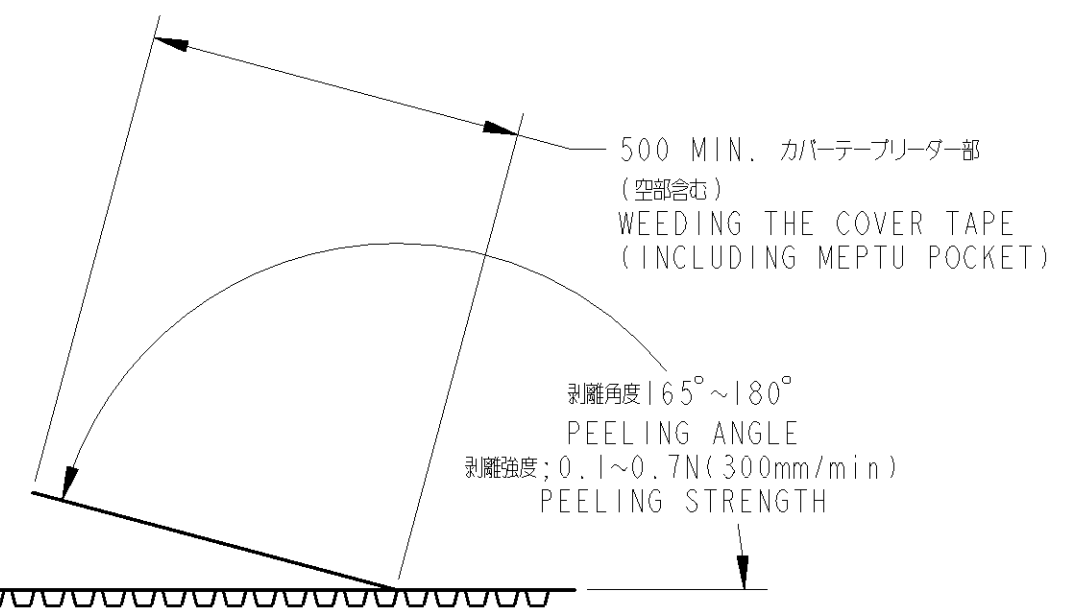
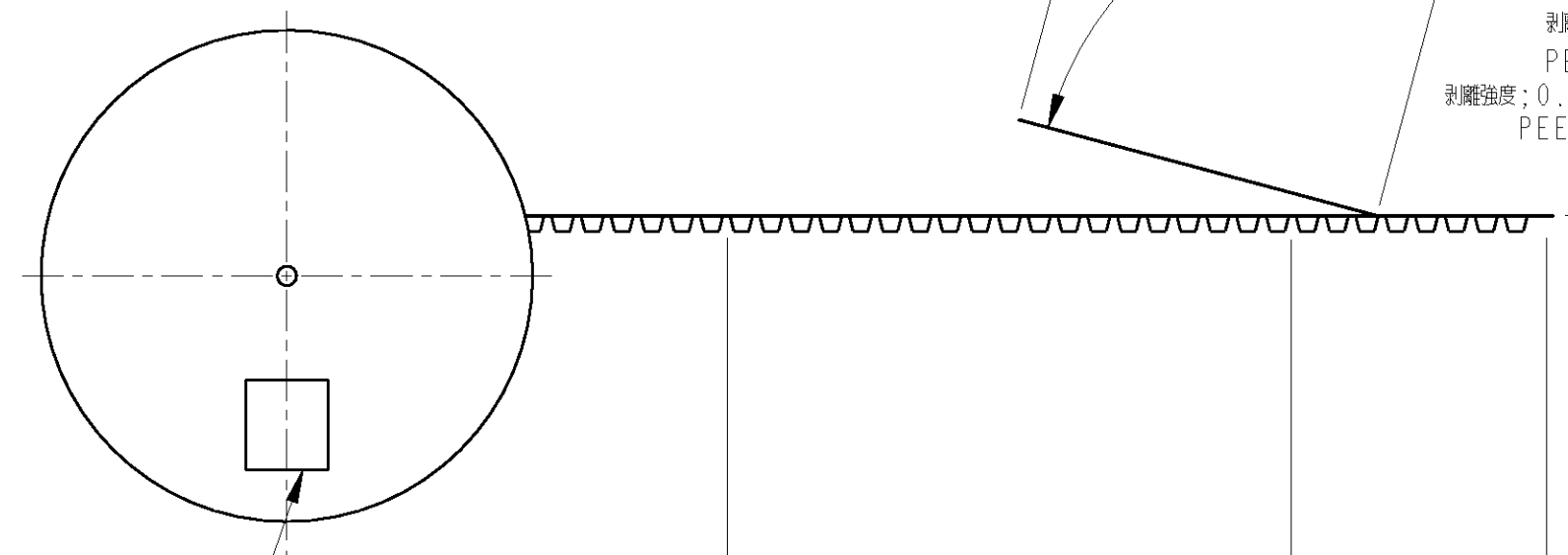
LOC	DIST	REVISIONS					
		P	LTR	DESCRIPTION	DATE	DWN	APVD
J	-	-	-	SEE SHEET 1	-	-	-



- 1; AS SHOWN
 - 1; 本図



SCALE 2:1



Tyco P/N: 1746142-1
 Qty: 500pcs
 D/C:
 Made in China

ラベル記載内容 / LABEL DESCRIPTION

空部 10穴以上 WITHOUT CHARGE 10HOLES MIN.
 製品装填部 WITH PRODUCT CHARGE 500個/1リール 500EA/1REEL
 空部 15穴以上 WITHOUT CHARGE 15HOLES MIN.

THIS DRAWING IS A CONTROLLED DOCUMENT FOR TYCO ELECTRONICS CORPORATION
 IT IS SUBJECT TO CHANGE AND THE CONTROLLING ENGINEERING ORGANIZATION
 SHOULD BE CONTACTED FOR THE LATEST REVISION.

DIMENSIONS: 単位: 英 mm	TOLERANCES UNLESS OTHERWISE SPECIFIED: 一般公差 ± 0.3 0-PLC \pm 1-PLC ± 0.1 2-PLC ± 0.01 3-PLC ± 0.001 4-PLC ± 0.0001 ANGLES $\pm 3^{\circ}$	DWN T. KATANO 23MAR04 CHK T. KIMURA 23MAR04 APVD K. IKEGAMI 23MAR04	tyco Electronics	Tyco Electronics AMP K.K. Kawasaki, Japan
MATERIAL 材料	FINISH 仕上	PRODUCT SPEC 製品規格 APPLICATION SPEC 取付適用規格	NAME 名称 LEAF BATTERY CONNECTOR 3POS.	
		WEIGHT	SIZE A3	CAGE CODE 00779
		DRAWING NO 番号 C=1746142		RESTRICTED TO
		CUSTOMER DRAWING		SCALE 尺度 NON
		SHEET 2 OF 2		REV 01