



Chipsmall Limited consists of a professional team with an average of over 10 year of expertise in the distribution of electronic components. Based in Hongkong, we have already established firm and mutual-benefit business relationships with customers from,Europe,America and south Asia,supplying obsolete and hard-to-find components to meet their specific needs.

With the principle of "Quality Parts,Customers Priority,Honest Operation,and Considerate Service",our business mainly focus on the distribution of electronic components. Line cards we deal with include Microchip,ALPS,ROHM,Xilinx,Pulse,ON,Everlight and Freescale. Main products comprise IC,Modules,Potentiometer,IC Socket,Relay,Connector.Our parts cover such applications as commercial,industrial, and automotives areas.

We are looking forward to setting up business relationship with you and hope to provide you with the best service and solution. Let us make a better world for our industry!



Contact us

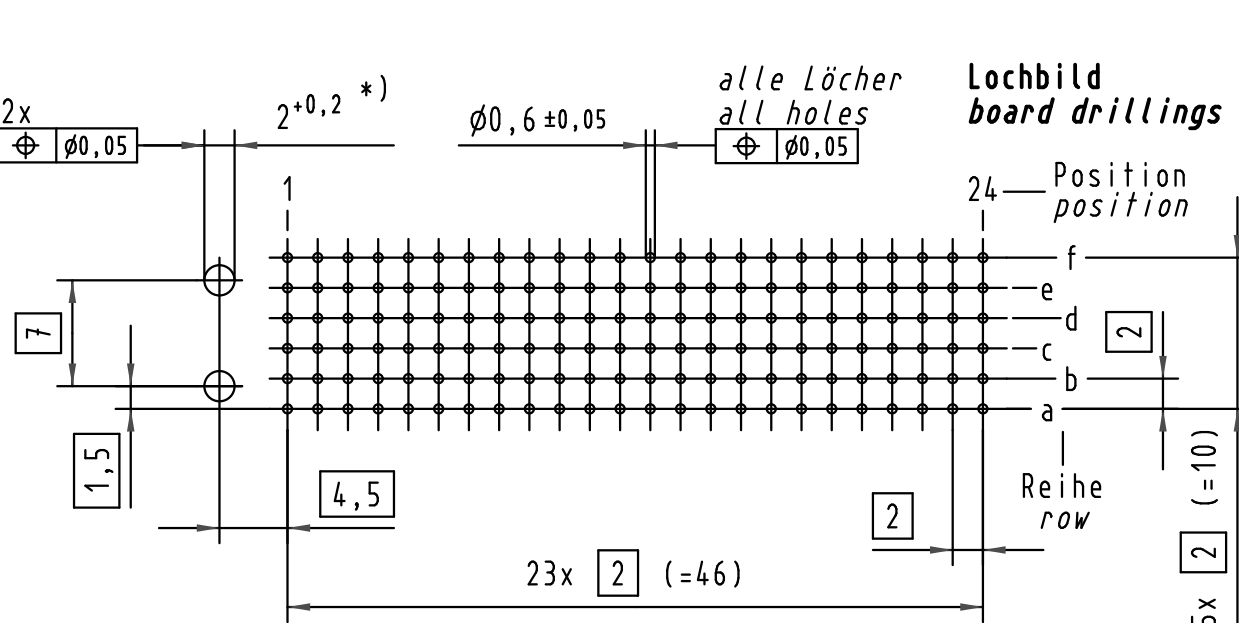
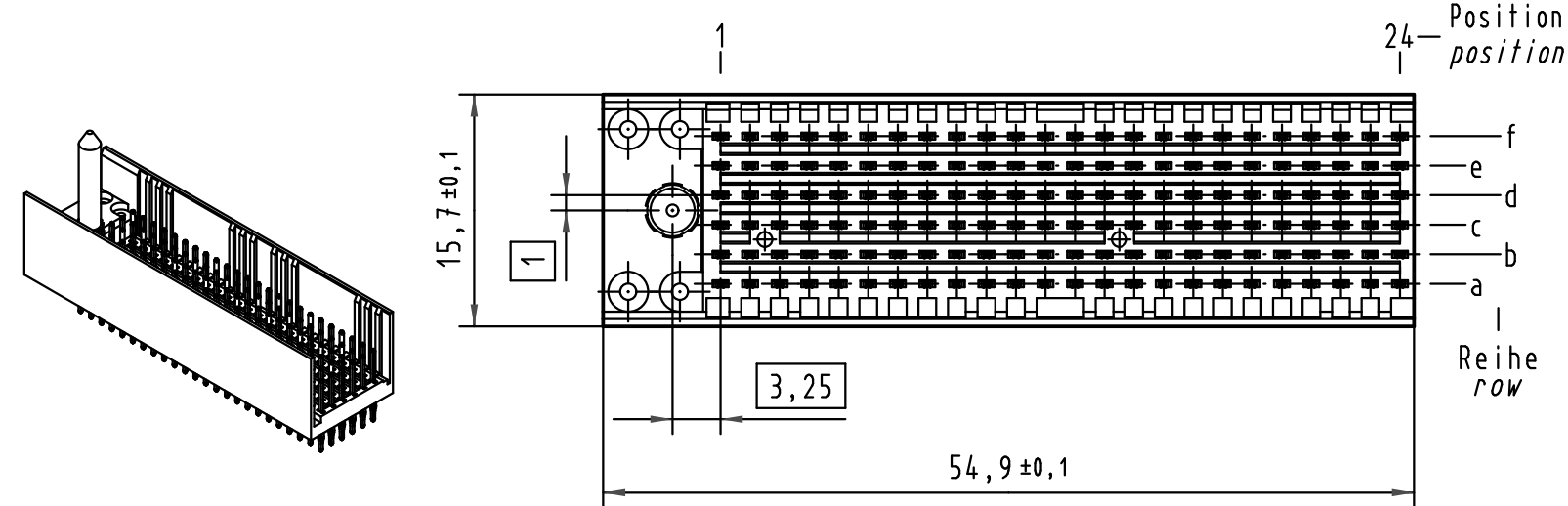
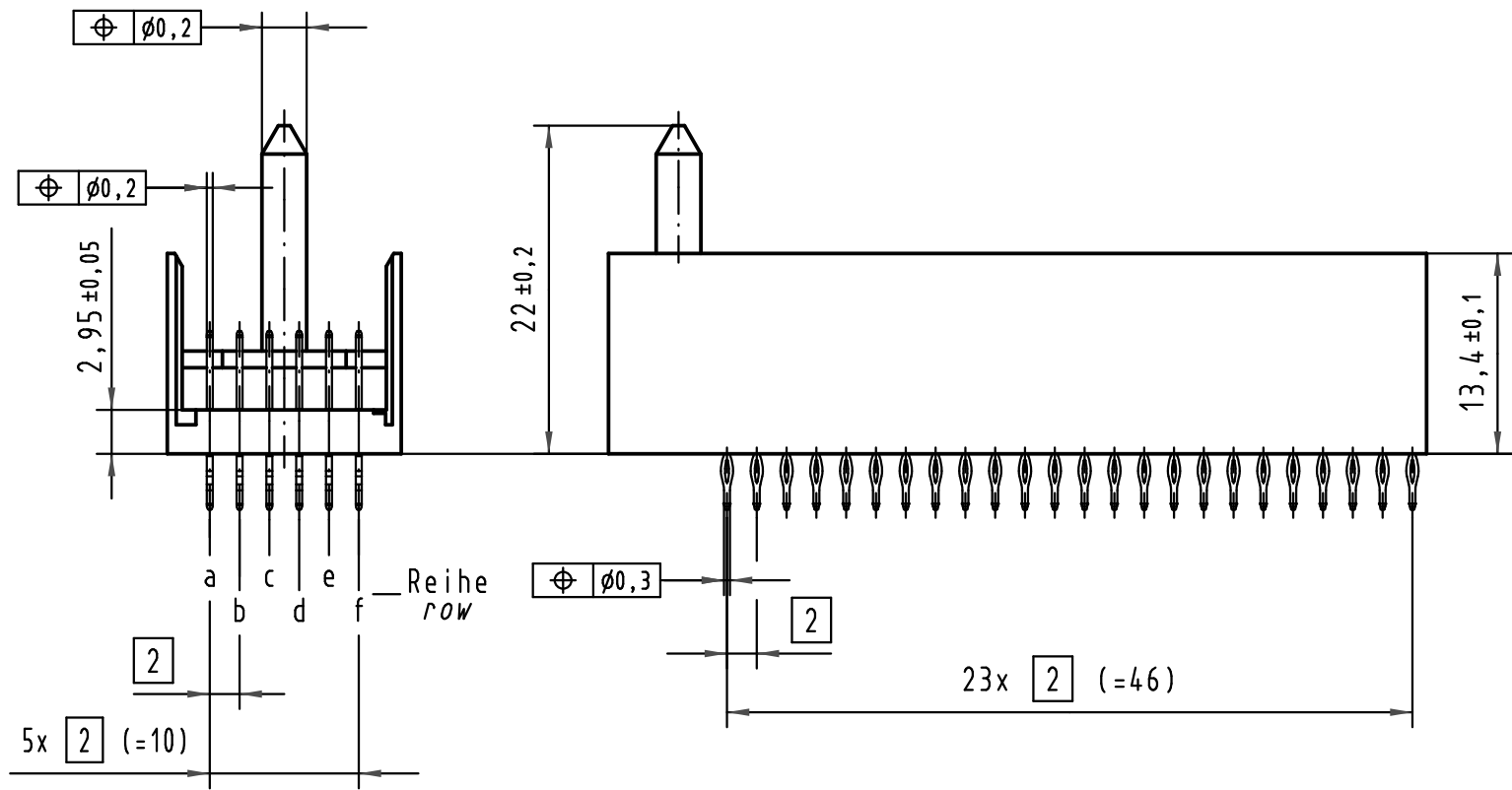
Tel: +86-755-8981 8866 Fax: +86-755-8427 6832

Email & Skype: info@chipsmall.com Web: www.chipsmall.com

Address: A1208, Overseas Decoration Building, #122 Zhenhua RD., Futian, Shenzhen, China



Alle Rechte vorbehalten/ All rights reserved

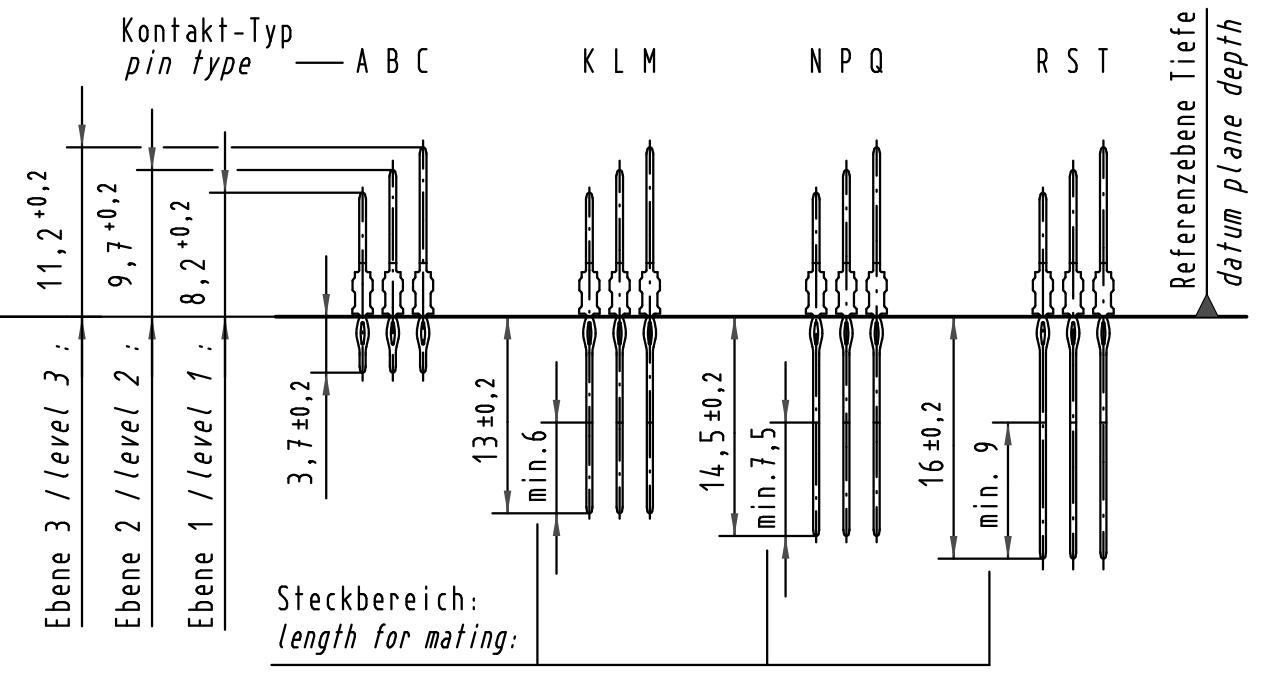


*) Löcher nicht metallisiert
non-metallized drillings

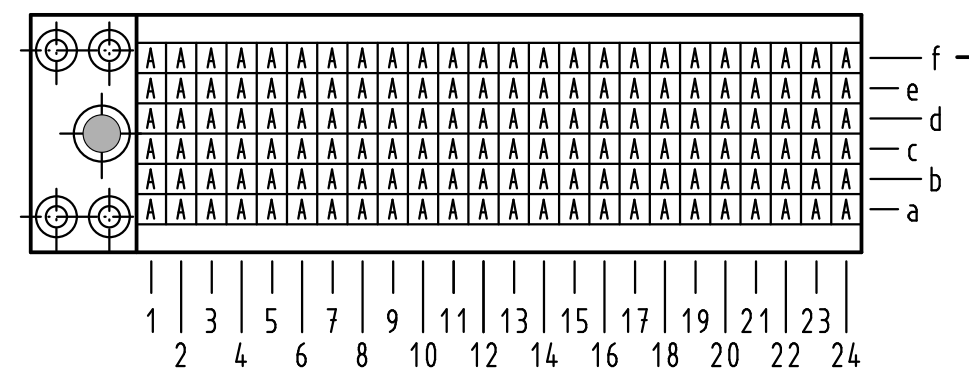
Bohrlochdurchmesser: $\phi 0,7 \pm 0,02$
Lochdurchmesser (mit Oberfläche): $\phi 0,6 \pm 0,05$
drill hole dia.: $\phi 0,7 \pm 0,02$
finished hole dia. (after plating): $0,6 \pm 0,05$

Kontakt-Maße
contact dimensions

(Längen der Steck- und Anschlußseite gelten für eingepreßte Steckverbinder)
(mating and termination length of contacts apply to pressed in connectors)



Kontaktbelegung
contact loading



17 46 144 4207	-	min. 0,127µm Au over min. 0,635µm (25µin) PdNi over min. 1,27µm (50µin) Ni
17 46 144 2207	2	Au flash over PdNi over Ni
17 46 144 1207	1	Au flash over PdNi over Ni
Bestell-Nr. part-no.	Anforderungsstufe nach IEC performance level acc. to IEC	Kontaktoberfläche contact plating

		All Dimensions in mm Original Size DIN A 3		Techn. Character.		Nicht tolerierte Maßel/Free size tolerances	
Mod.	Dat.	Name	Dat.	Name	Maßstab/Scale	har-bus HM Messerleiste mit Flansch 6-reihig, 144pol., Anschlußlänge 3,7mm, ohne Kodierung har-bus HM male connector with guide 6-row, 144pol., termination length 3,7mm, without coding	
34337	15.05.07	Hage.	23.03.04	Buß.	2:1	TB 17 46 144 x207	
31807			23.03.04	Ko		Sub.	
HARTING Electronics GmbH & Co. KG D-32339 ESPELKAMP					Blatt/page		