



Chipsmall Limited consists of a professional team with an average of over 10 year of expertise in the distribution of electronic components. Based in Hongkong, we have already established firm and mutual-benefit business relationships with customers from,Europe,America and south Asia,supplying obsolete and hard-to-find components to meet their specific needs.

With the principle of "Quality Parts,Customers Priority,Honest Operation,and Considerate Service",our business mainly focus on the distribution of electronic components. Line cards we deal with include Microchip,ALPS,ROHM,Xilinx,Pulse,ON,Everlight and Freescale. Main products comprise IC,Modules,Potentiometer,IC Socket,Relay,Connector.Our parts cover such applications as commercial,industrial, and automotives areas.

We are looking forward to setting up business relationship with you and hope to provide you with the best service and solution. Let us make a better world for our industry!



## Contact us

Tel: +86-755-8981 8866 Fax: +86-755-8427 6832

Email & Skype: info@chipsmall.com Web: www.chipsmall.com

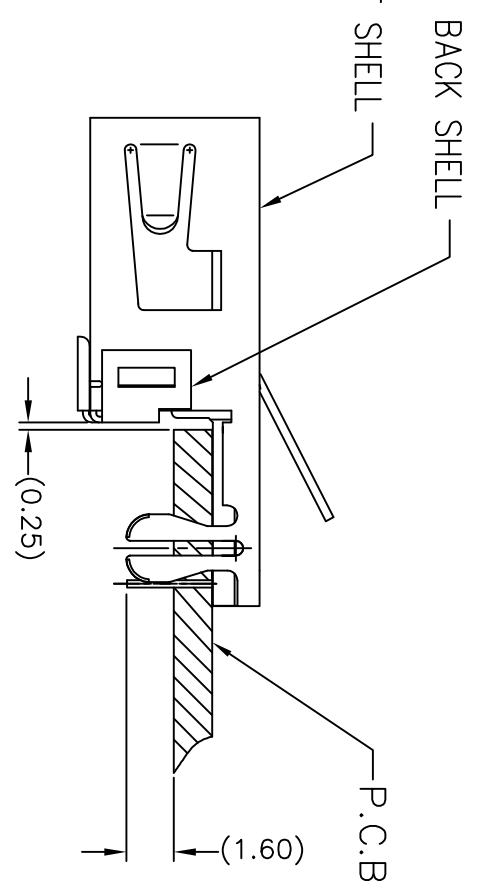
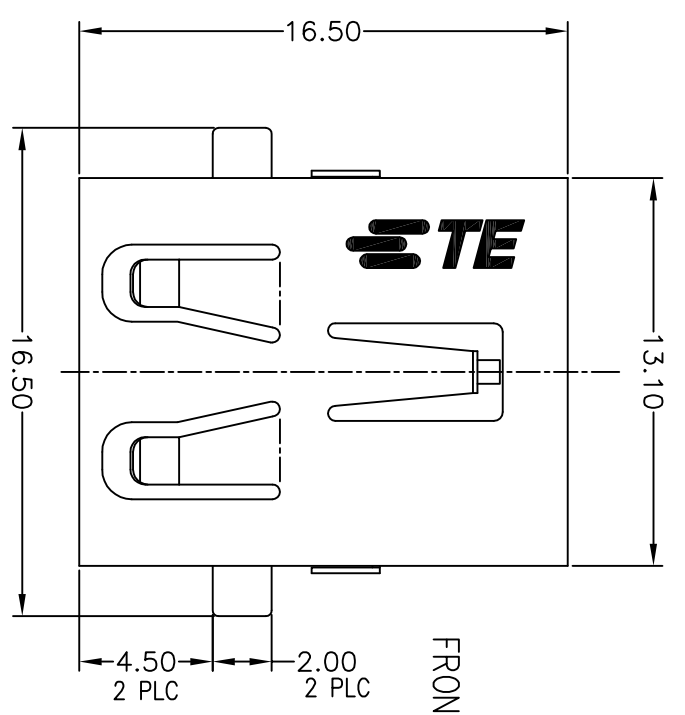
Address: A1208, Overseas Decoration Building, #122 Zhenhua RD., Futian, Shenzhen, China



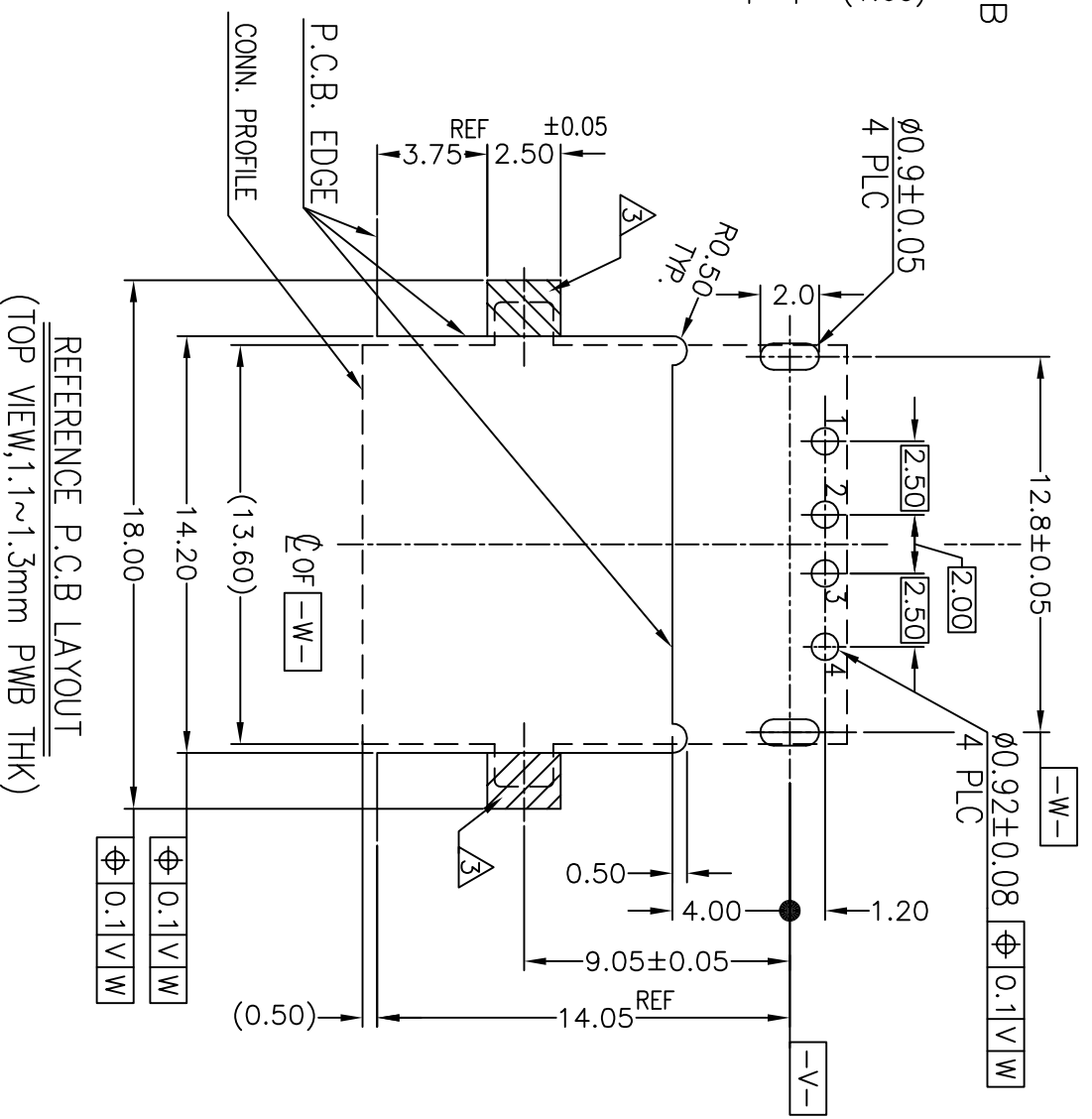
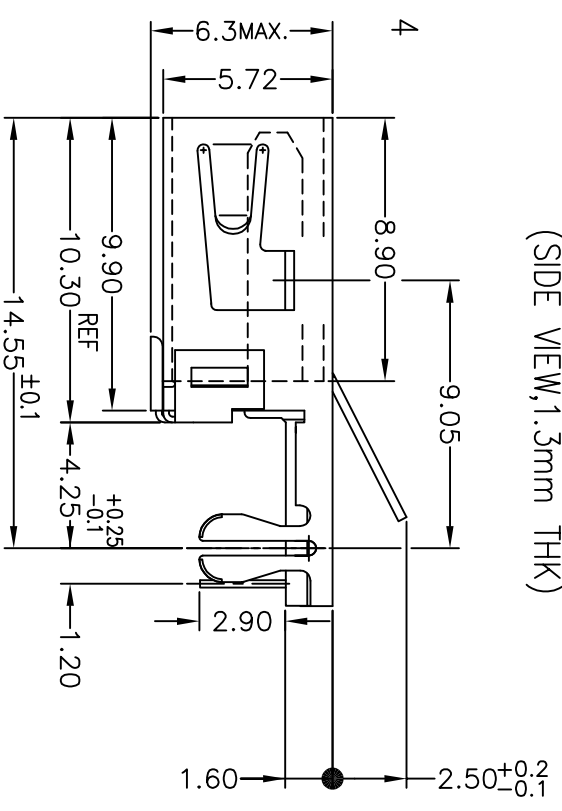
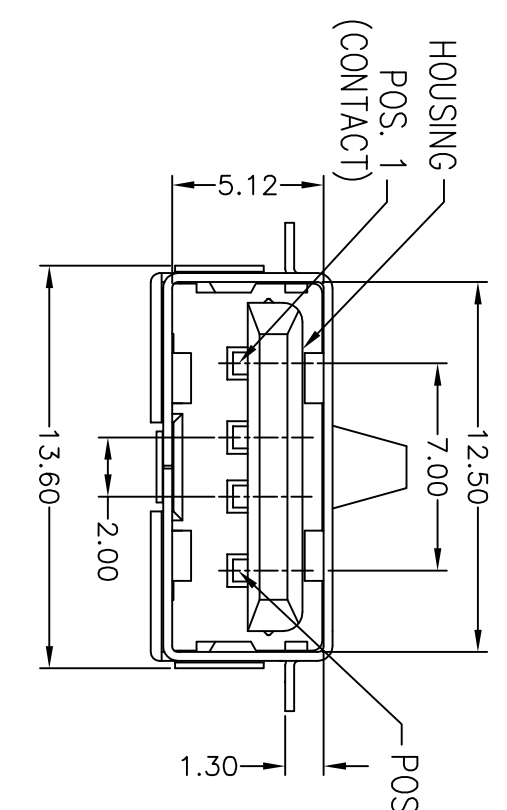
THIS DRAWING IS UNPUBLISHED.  
 © COPYRIGHT 2003 BY TYCO ELECTRONICS CORPORATION. ALL RIGHTS RESERVED.

RELEASED FOR PUBLICATION

Loc	DIST	REVISIONS	DATE	DWN	APVD
FB					



REFERENCE P.C.B LAYOUT  
 (SIDE VIEW, 1.3mm THK)



REFERENCE P.C.B LAYOUT  
 (TOP VIEW, 1.1~1.3mm PWB THK)

- 1 MATERIAL  
 HOUSING: THERMO-PLASTICS, UL94V-0  
 CONTACT: COPPER ALLOY  
 FRONT SHELL: COPPER ALLOY  
 BACK SHELL: COPPER ALLOY
- 2 FINISH  
 CONTACT: NICKEL UNDER PLATE ALL OVER.  
 CONTACT AREA: GOLD PLATING  
 TINE AREA: Tin PLATING  
 FRONT SHELL: Tin PLATING, Ni UNDER PLATING  
 BACK SHELL: Ni PLATING
- 3 NO COMPONENT AREA.

THIS DRAWING IS A CONTROLLED DOCUMENT.

DWN S. CHIEN 15MAR04  
 CHK T. FUJITSUGI 15MAR04

DIMENSIONS:	TOLERANCES UNLESS OTHERWISE SPECIFIED:
mm	
0 PLC	±
1 PLC	±
2 PLC	± 0.3
3 PLC	±
4 PLC	±
ANGLES	± 3°

APVD H. KODAMA 15MAR04  
 PRODUCT SPEC 108-5983  
 APPLICATION SPEC  
 WEIGHT  
 CUSTOMER DRAWING

CERAMICS WHITE	1746311-2
BLACK	1746311-1
COLOR	PARTS No.

AMP 1470-19 REV 31MAR2000

STE TE Connectivity

USB CONNECTOR RECEPTACLE  
 DIP AND OFFSET TYPE

SIZE A3 CAGE CODE 00779 DRAWING NO. 1746311

SCALE 4:1 SHEET 1 OF 2 REV G1

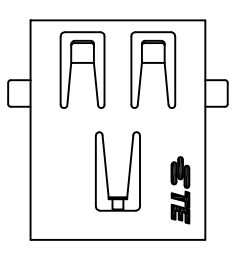
THIS DRAWING IS UNPUBLISHED.  
© COPYRIGHT 2003 BY TCO ELECTRONICS CORPORATION. ALL RIGHTS RESERVED.

RELEASED FOR PUBLICATION

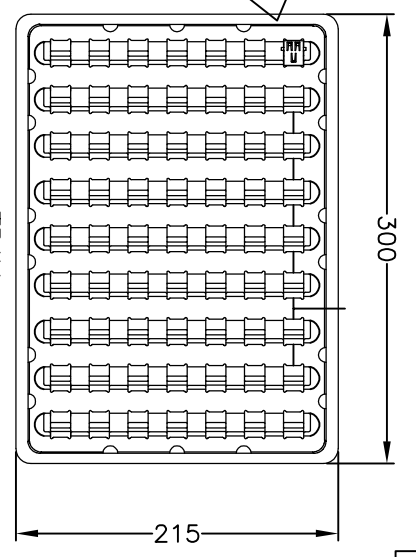
Loc FB DIST

REVISIONS

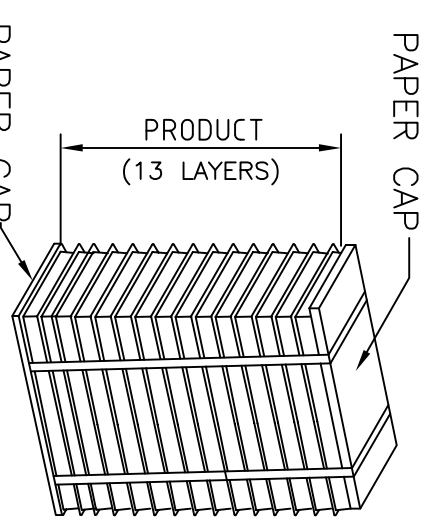
P	LTR	DESCRIPTION	DATE	DWN	APVD
		SEE SHEET 1			



USB CONNECTOR

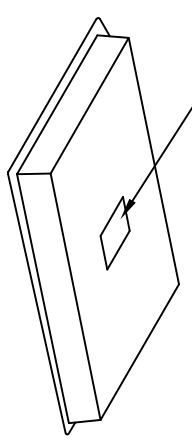


TRAY

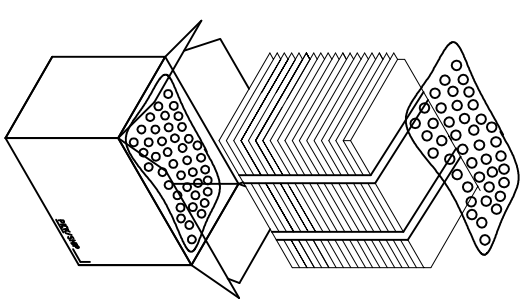


PAPER CAP

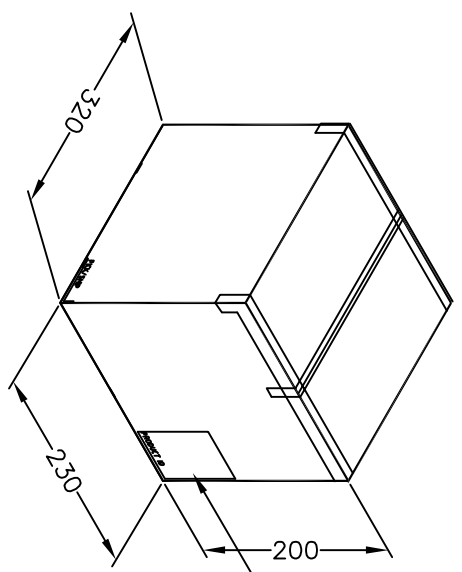
INNER LABEL



TRAY WITH TOP COVER



OUTER LABEL



USB CONNECTOR PACKING METHOD

THIS DRAWING IS A CONTROLLED DOCUMENT.

DIMENSIONS: mm

TOLERANCES UNLESS OTHERWISE SPECIFIED:	FINISH
0 PLC	4. PLC ANGLES
1 PLC	
2 PLC	
3 PLC	
4. PLC	

DIMENSIONS:	FINISH
±	±
± 0.3	±
±	±
±	±
±	±

NOTES :

1. MATERIAL:  
TRAY : PS , T=0.8~1.0  
SHIPPING CARTON : CORRUGATED FIBERBOARD
2. DIMENSION  
TRAY : L=300, W=215, H=10  
SHIPPING CARTON : L=320, W=230, H=200
3. QUANTITY:  
63 PCS/TRAY  
819 PCS/SHIPPING CARTON
4. WEIGHT:  
NET WEIGHT:1.24KG  
GROSS WEIGHT:2.53KG



TE Connectivity

USB CONNECTOR RECEPTACLE  
DIP AND OFFSET TYPE

DMN	CHK	APVD	NAME
			USB CONNECTOR RECEPTACLE DIP AND OFFSET TYPE

PRODUCT SPEC	APPLICATION SPEC	WEIGHT	SIZE	CAGE CODE	DRAWING NO	SCALE	SHEET	REV
			A3	00779	G=1746311		2 OF 2	G1