



Chipsmall Limited consists of a professional team with an average of over 10 year of expertise in the distribution of electronic components. Based in Hongkong, we have already established firm and mutual-benefit business relationships with customers from,Europe,America and south Asia,supplying obsolete and hard-to-find components to meet their specific needs.

With the principle of “Quality Parts,Customers Priority,Honest Operation,and Considerate Service”,our business mainly focus on the distribution of electronic components. Line cards we deal with include Microchip,ALPS,ROHM,Xilinx,Pulse,ON,Everlight and Freescale. Main products comprise IC,Modules,Potentiometer,IC Socket,Relay,Connector.Our parts cover such applications as commercial,industrial, and automotives areas.

We are looking forward to setting up business relationship with you and hope to provide you with the best service and solution. Let us make a better world for our industry!



Contact us

Tel: +86-755-8981 8866 Fax: +86-755-8427 6832

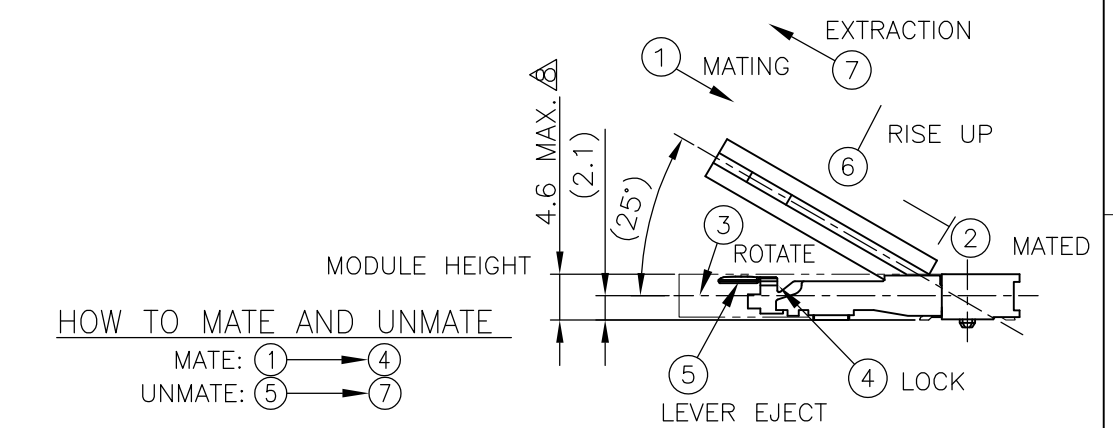
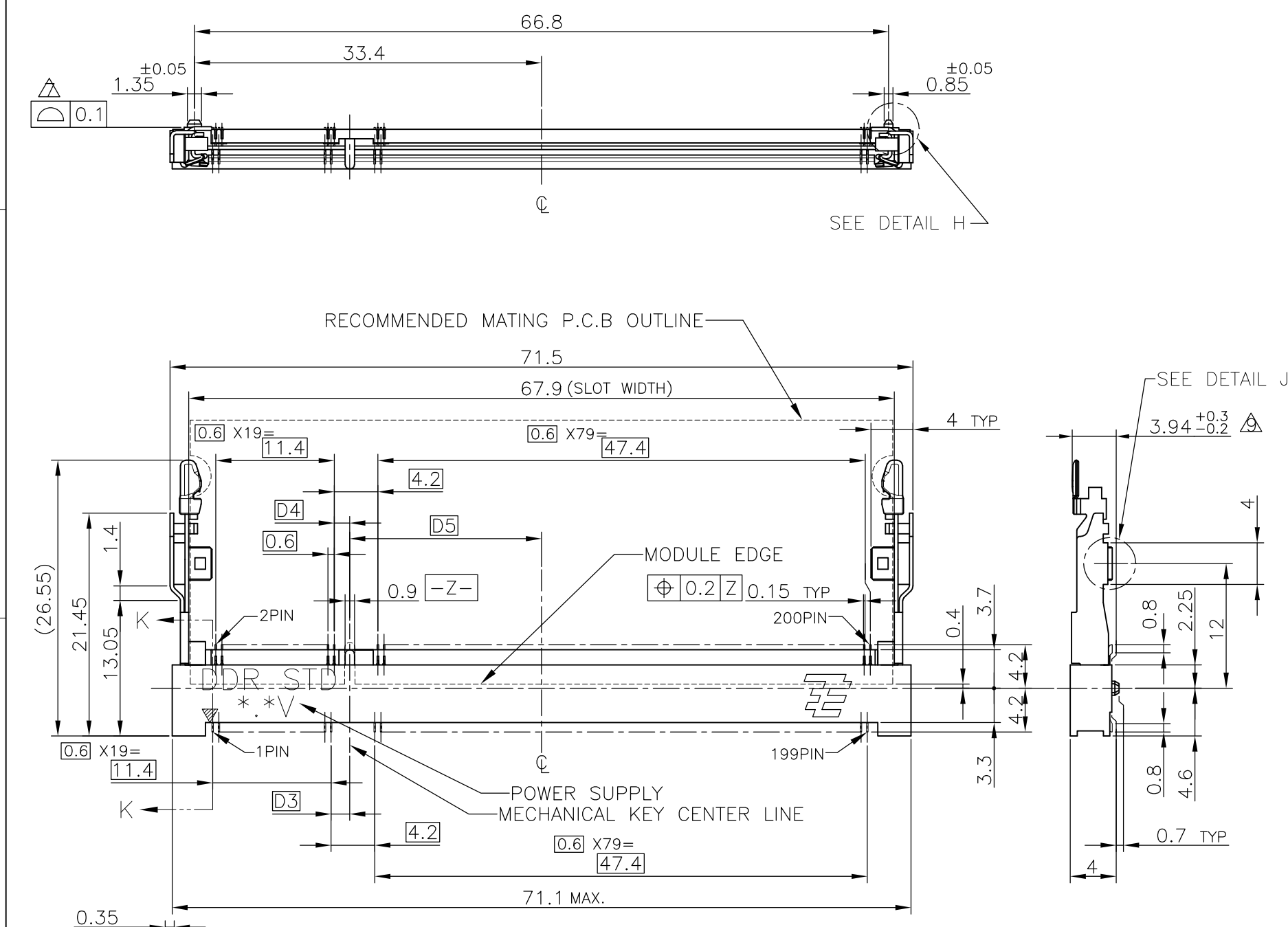
Email & Skype: info@chipsmall.com Web: www.chipsmall.com

Address: A1208, Overseas Decoration Building, #122 Zhenhua RD., Futian, Shenzhen, China

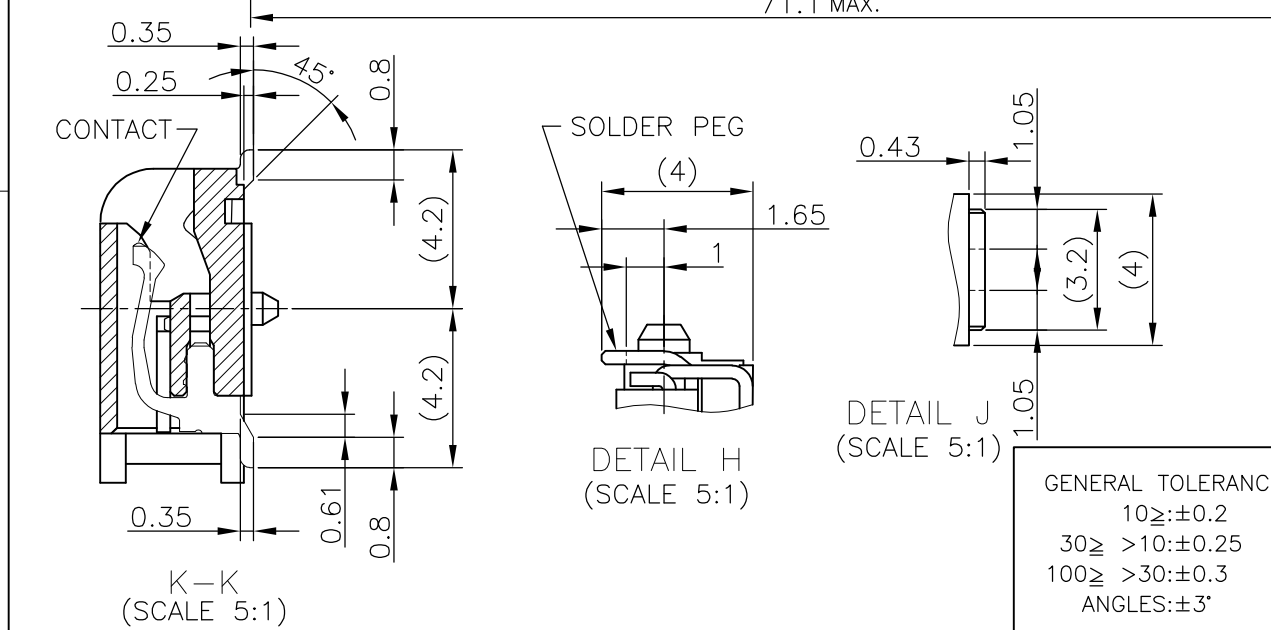


THIS DRAWING IS UNPUBLISHED. RELEASED FOR PUBLICATION OCT ,2001.
 © COPYRIGHT 2001 BY TYCO ELECTRONICS CORPORATION. ALL RIGHTS RESERVED.

LOC	DIST	REVISIONS					
		P	LTR	DESCRIPTION	DATE	DWN	APVD
J			D1	ECR-10-014776	20JUL10	B.W	S.Y



- (APPLIED TO SHEET 1-2)
- MATERIAL ; HOUSING: HIGH TEMPERATURE THERMO PLASTIC UL94V-0
CONTACT: COPPER ARROY
LOCK LEVER: STAINLESS STEEL
 - FINISH ; CONTACT AREA: GOLD FLASH ON 0.0013MIN ALL OVER NICKEL.
SOLDERING AREA: GOLD FLASH PLATING.
LOCK LEVER: TIN PLATING.
- ⊕ MECHANICAL KEY POSITION OF CONNECTOR SEE TABLE.
 - ⊕ TOLERANCES NON-CUMULATIVE.
 - ⊕ NOT TO SCALE.
 - ⊕ INSIDE MUST BE RESIST COAT EXCEPT SOLDER PATTERN.
 - ⊕ COPLANARITY : 0.1 MAX.
 - ⊕ THE FLOATING VALUE BY SOLDERING IS NOT INCLUDED.
 - ⊕ NOT MATING CONDITION.
- 10 IF THE MODULE DOESN'T INSERT AND LOCK IN THE LATCH SMOOTHLY, OPEN WIDE BOTH LATCHES BY MANUAL. AND THE MODULE MUST BE INSERTED AND LOCKED IN THE LATCH.



AVAILABLE	— —	1.8V (DDR2)	17.55	2.4	2.7	200	1746540-4
NOT AVAILABLE	— —	2.5V (DDR1)	18.45	1.5	1.8	200	—
TOOLING STATUS	REMARK	POWER SUPPLY	D5	D4	D3	POS	PART NO.
THIS DRAWING IS A CONTROLLED DOCUMENT.		DWN B.WONG 20JUL10	Tyco Electronics AMP K.K. Kawasaki, Japan				
DIMENSIONS: MM		CHK C.WANG 20JUL10	NAME DDR1 & DDR2 SODIMM SOCKET 0.6mm PITCH 200POS LOW PROFILE STANDARD TYPE (LATCH DIRECT SOLDERING TYPE)				
TOLERANCES UNLESS OTHERWISE SPECIFIED:		APVD S.YAO 20JUL10	PRODUCT SPEC 108-5701				
0 PLC ± 1 PLC ± 2 PLC ± 3 PLC ± 4 PLC ± ANGLES ±		APPLICATION SPEC		SIZE A3		DRAWING NO C-1746540	
MATERIAL		WEIGHT 3.2 g		CAGE CODE 00779		RESTRICTED TO —	
CUSTOMER DRAWING			SCALE 2:1		SHEET 1 OF 4		REV D1

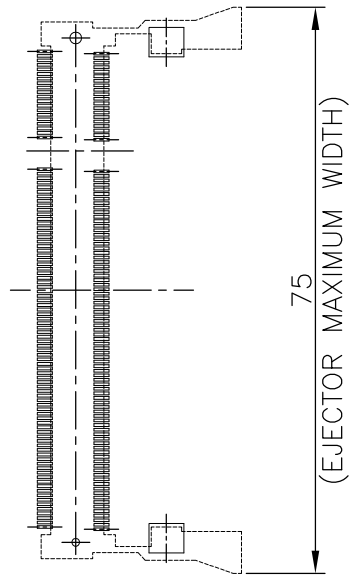
THIS DRAWING IS UNPUBLISHED.

RELEASED FOR PUBLICATION OCT. 2001.

© COPYRIGHT 2001 BY TYCO ELECTRONICS CORPORATION. ALL RIGHTS RESERVED.

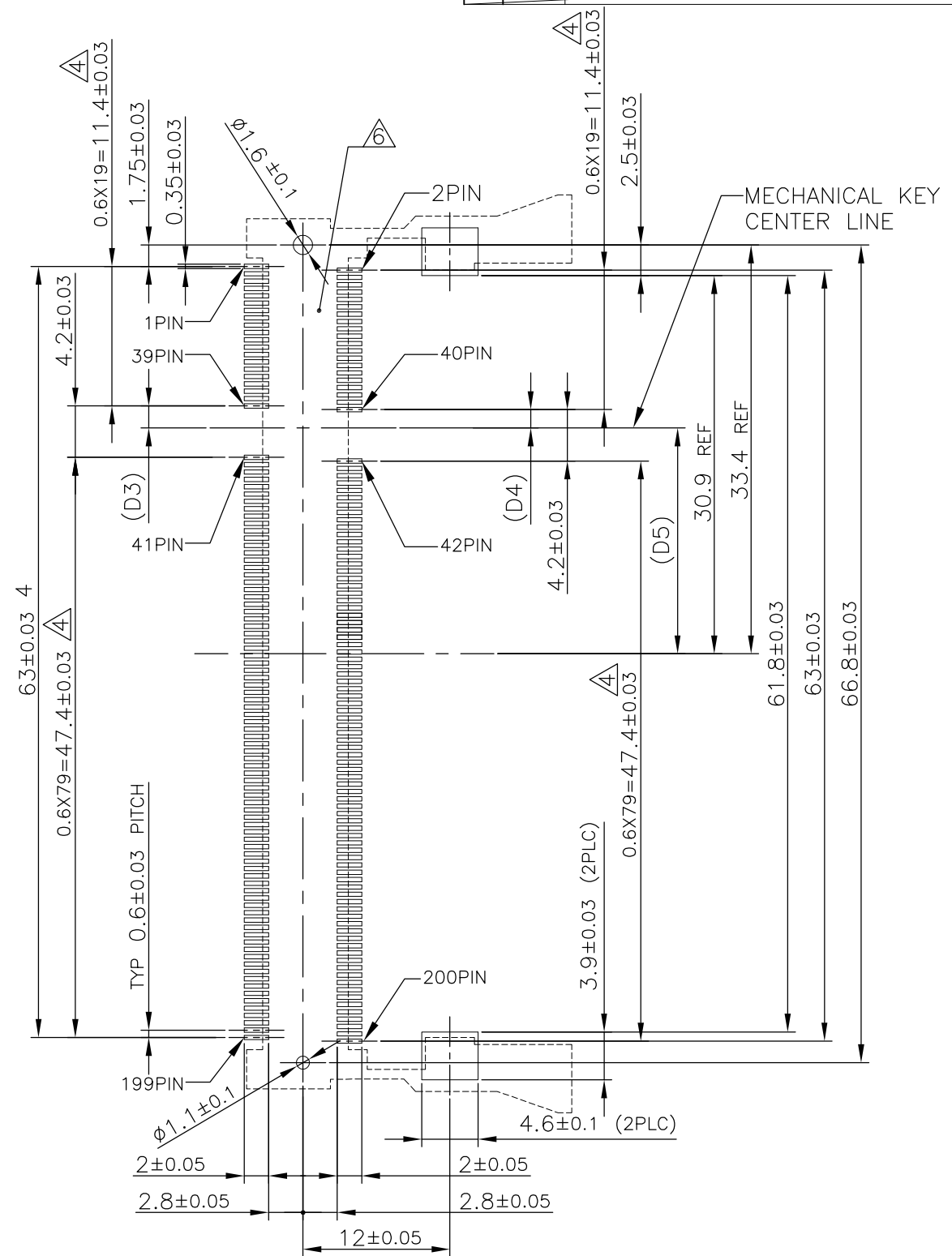
LOC	DIST	REVISIONS					
J		P	LTR	DESCRIPTION	DATE	DWN	APVD
		-	-	SEE SHEET 1	-	-	-

REFERENCE P.C. BOARD PATTERN LAYOUT (CONNECTOR MOUNTING SIDE)



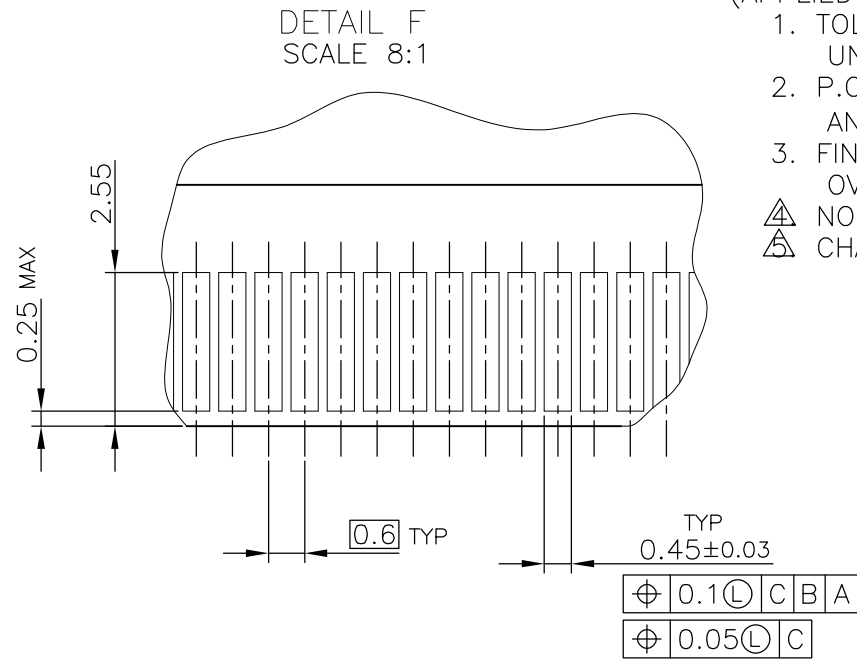
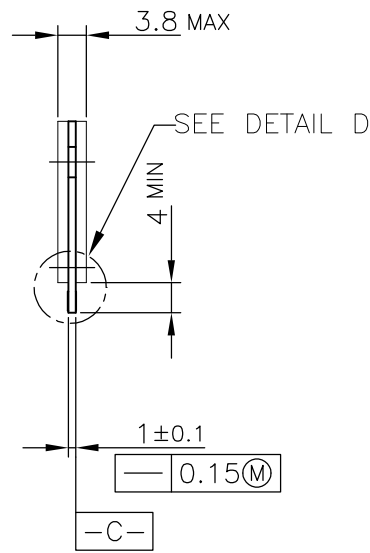
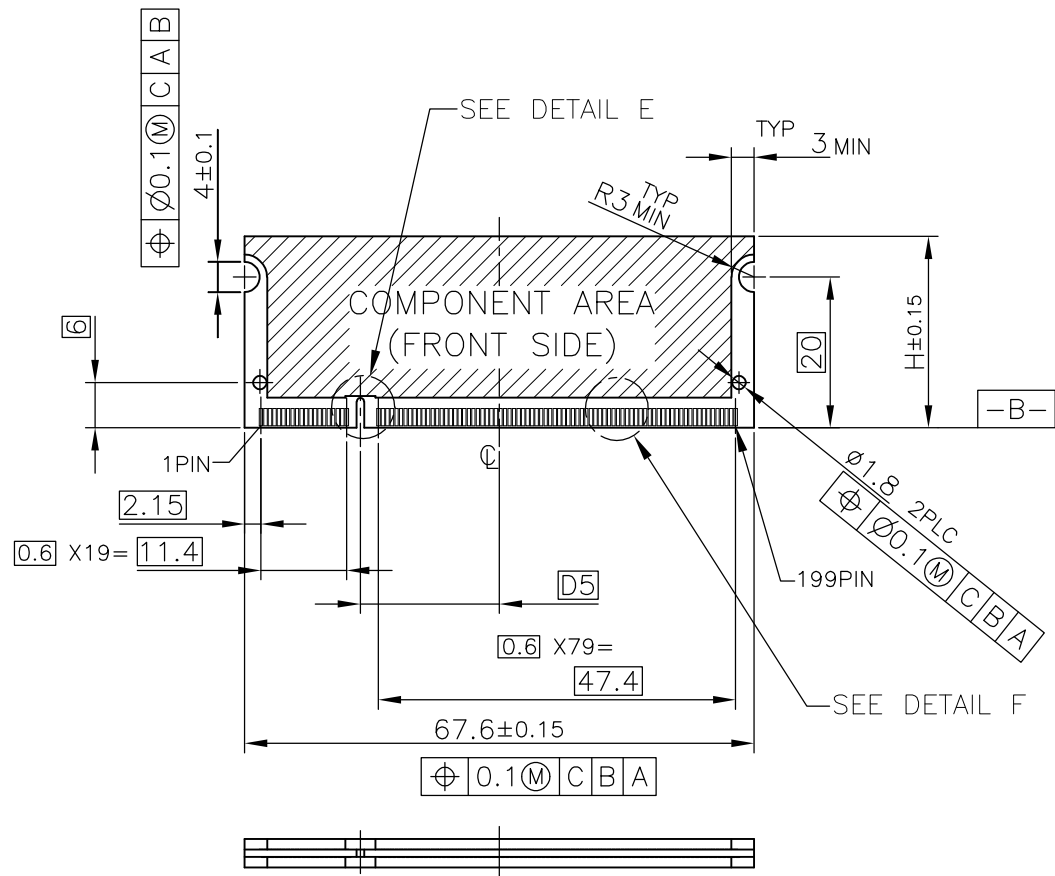
REAL SIZE (SCALE 1:1)

1.8V	17.55	2.4	2.7
2.5V	18.45	1.5	1.8
POWER SUPPLY	D5	D4	D3

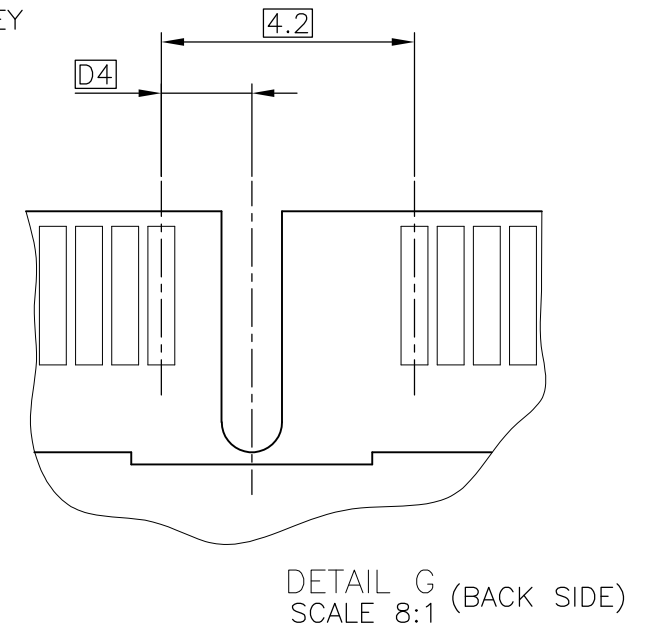
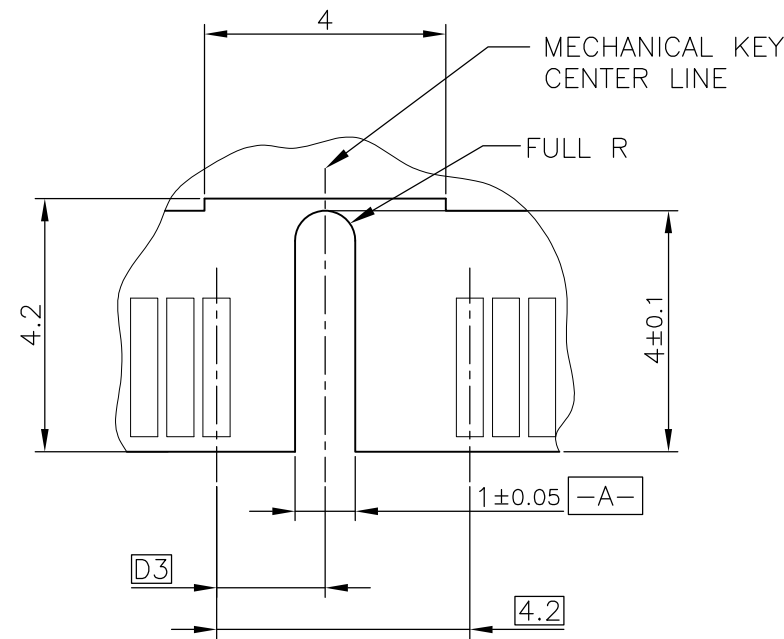
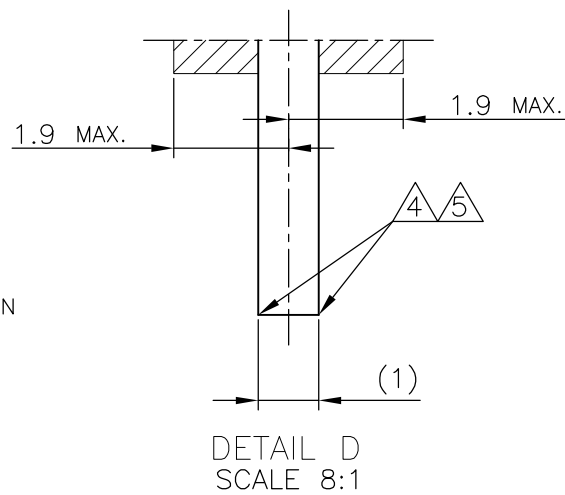
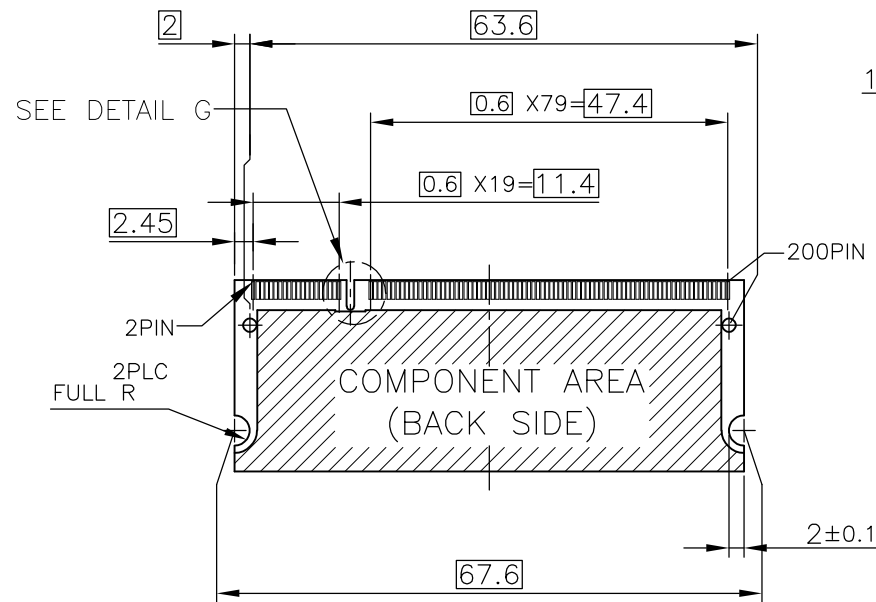


THIS DRAWING IS A CONTROLLED DOCUMENT.		DWN	Tyco Electronics AMP K.K. Kawasaki, Japan	
DIMENSIONS: MM		CHK	NAME	
TOLERANCES UNLESS OTHERWISE SPECIFIED:		APVD	DDR1 & DDR2 SODIMM SOCKET 0.6mm PITCH 200POS LOW PROFILE STANDARD TYPE (LATCH DIRECT SOLDERING TYPE)	
0 PLC ±		PRODUCT SPEC	SIZE	CAGE CODE
1 PLC ±		APPLICATION SPEC	A3	00779
2 PLC ±		WEIGHT	DRAWING NO. C-1746540	
3 PLC ±		RESTRICTED TO		
4 PLC ±		CUSTOMER DRAWING		
ANGLES ±		SCALE 2:1		
FINISH		SHEET 2 OF 4		
		REV D1		

LOC	DIST	REVISIONS			
P	LTR	DESCRIPTION	DATE	DWN	APVD
J		SEE SHEET 1	-	-	-



- (APPLIED TO SHEET 3)
1. TOLERANCES ON ALL DIMENSIONS ±0.15 UNLESS OTHERWISE SPECIFIED.
 2. P.C.BOARD THICKNESS APPLIES ACROSS TABS AND INCLUDES PLATING AND/OR METALIZATION.
 3. FINISH OF PAD : GOLD PLATING 0.00076 MIN. OVER Ni PLATING 0.002MIN.
- △ NO BURR
- △ CHAMFER 0.25 MAX x 45° IF EXIST.



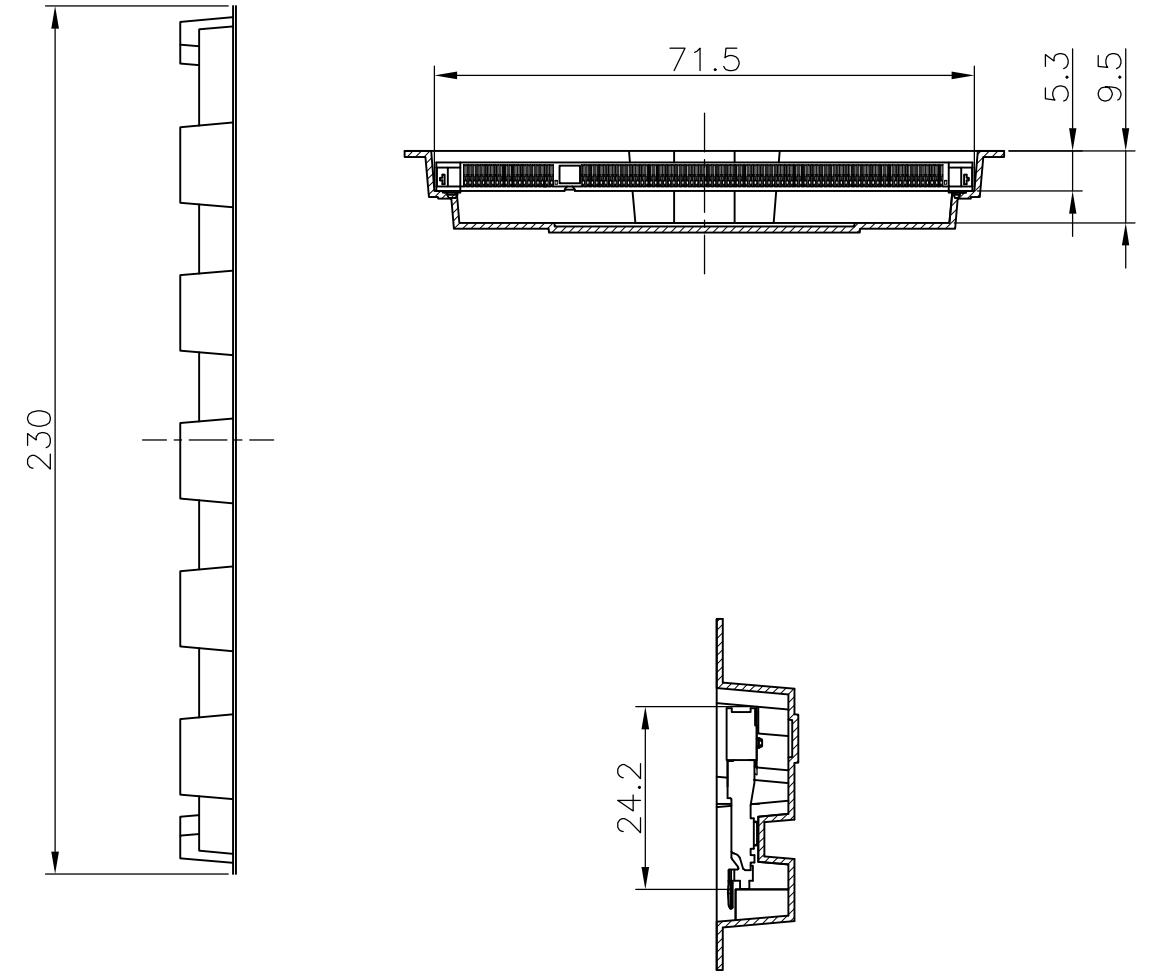
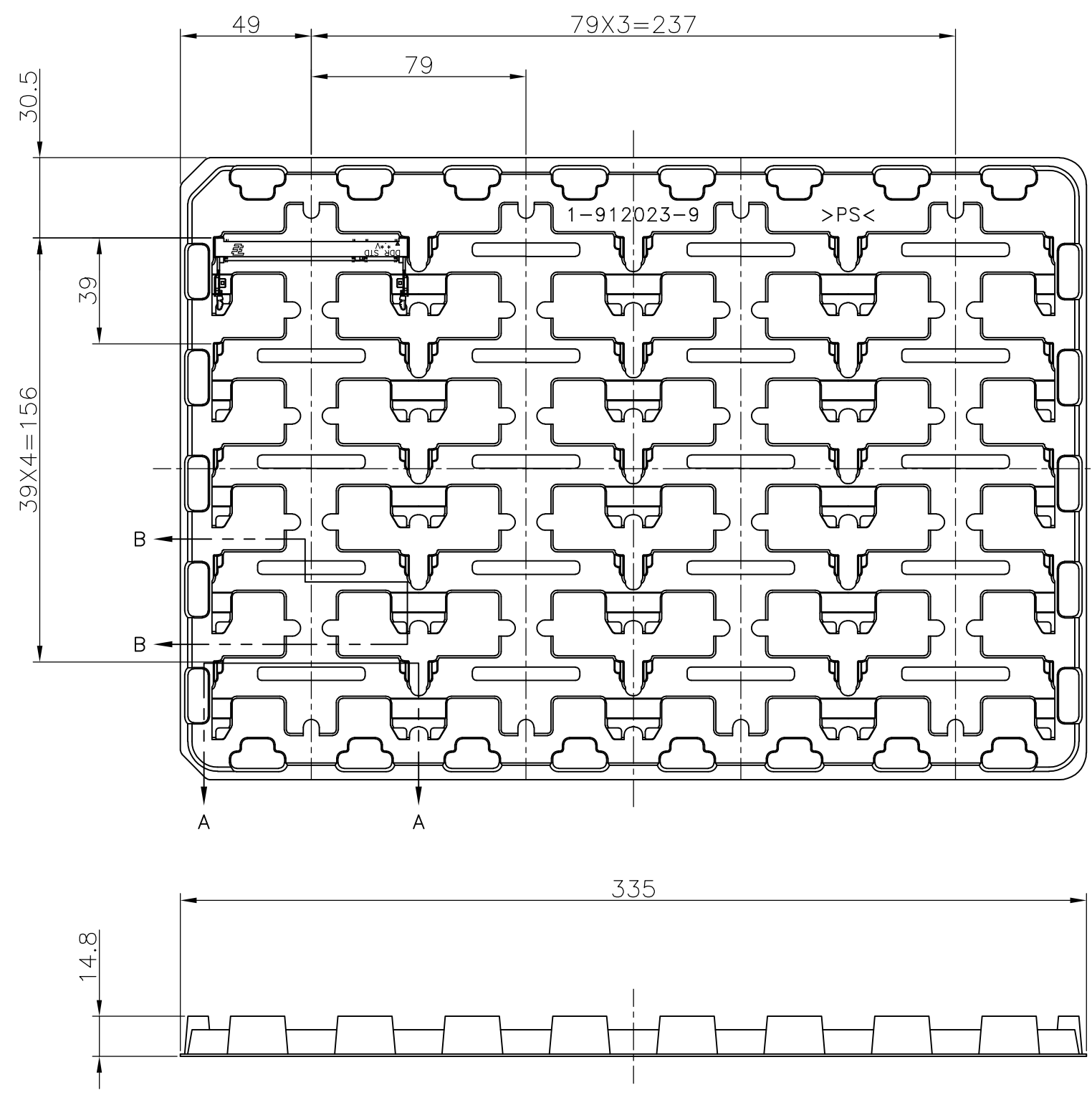
RECOMMENDED MATING P.C.B CONFIGURATION

THIS DRAWING IS A CONTROLLED DOCUMENT.		DWN	Tyco Electronics Tyco Electronics AMP K.K. Kawasaki, Japan			
DIMENSIONS: MM		CHK				
TOLERANCES UNLESS OTHERWISE SPECIFIED:		APVD				
0 PLC ± 1 PLC ± 2 PLC ± 3 PLC ± 4 PLC ± ANGLES ± MATERIAL FINISH		PRODUCT SPEC				
		WEIGHT	NAME DDR1 & DDR2 SODIMM SOCKET 0.6mm PITCH 200POS LOW PROFILE STANDARD TYPE (LATCH DIRECT SOLDERING TYPE)			
		CUSTOMER DRAWING	SIZE	CAGE CODE	DRAWING NO	RESTRICTED TO
			A3	00779	C-1746540	-
			SCALE	SHEET	OF	REV
			2:1	3	4	D1

31.75	1.8V	17.55	2.4	2.7
25.4	2.5V	18.45	1.5	1.8
H	POWER SUPPLY	D5	D4	D3

THIS DRAWING IS UNPUBLISHED. RELEASED FOR PUBLICATION OCT, 2001.
 © COPYRIGHT 2001 BY TYCO ELECTRONICS CORPORATION. ALL RIGHTS RESERVED.

LOC	DIST	REVISIONS				
P	LTR	DESCRIPTION	DATE	DWN	APVD	
J		SEE SHEET 1	-	-	-	



(APPLIED TO SHEET 4)
 1. THE DIRECTION OF EACH CONNECTOR ON A TRAY IS REFERRED TO THIS DRAWING.
 2. GENERAL TOLERANCE : ±0.5

AVAILABLE	20EA/TRAY	1746540-4
NOT AVAILABLE		-
TOOLING STATUS	QTY	P/N

THIS DRAWING IS A CONTROLLED DOCUMENT.		DWN	Tyco Electronics AMP K.K. Kawasaki, Japan		
DIMENSIONS: MM		CHK			
TOLERANCES UNLESS OTHERWISE SPECIFIED:		APVD	NAME		
0 PLC	±	PRODUCT SPEC	DDR1 & DDR2 SODIMM SOCKET 0.6mm PITCH		
1 PLC	±	APPLICATION SPEC	200POS LOW PROFILE STANDARD TYPE		
2 PLC	±	WEIGHT	(LATCH DIRECT SOLDERING TYPE)		
3 PLC	±	CUSTOMER DRAWING	SIZE	CAGE CODE	DRAWING NO
4 PLC	±		A3	00779	C-1746540
ANGLES	±		RESTRICTED TO		
FINISH			-		
		SCALE	SHEET	OF	REV
		1:2	4	4	D1