



Chipsmall Limited consists of a professional team with an average of over 10 year of expertise in the distribution of electronic components. Based in Hongkong, we have already established firm and mutual-benefit business relationships with customers from,Europe,America and south Asia,supplying obsolete and hard-to-find components to meet their specific needs.

With the principle of “Quality Parts,Customers Priority,Honest Operation,and Considerate Service”,our business mainly focus on the distribution of electronic components. Line cards we deal with include Microchip,ALPS,ROHM,Xilinx,Pulse,ON,Everlight and Freescale. Main products comprise IC,Modules,Potentiometer,IC Socket,Relay,Connector.Our parts cover such applications as commercial,industrial, and automotives areas.

We are looking forward to setting up business relationship with you and hope to provide you with the best service and solution. Let us make a better world for our industry!



Contact us

Tel: +86-755-8981 8866 Fax: +86-755-8427 6832

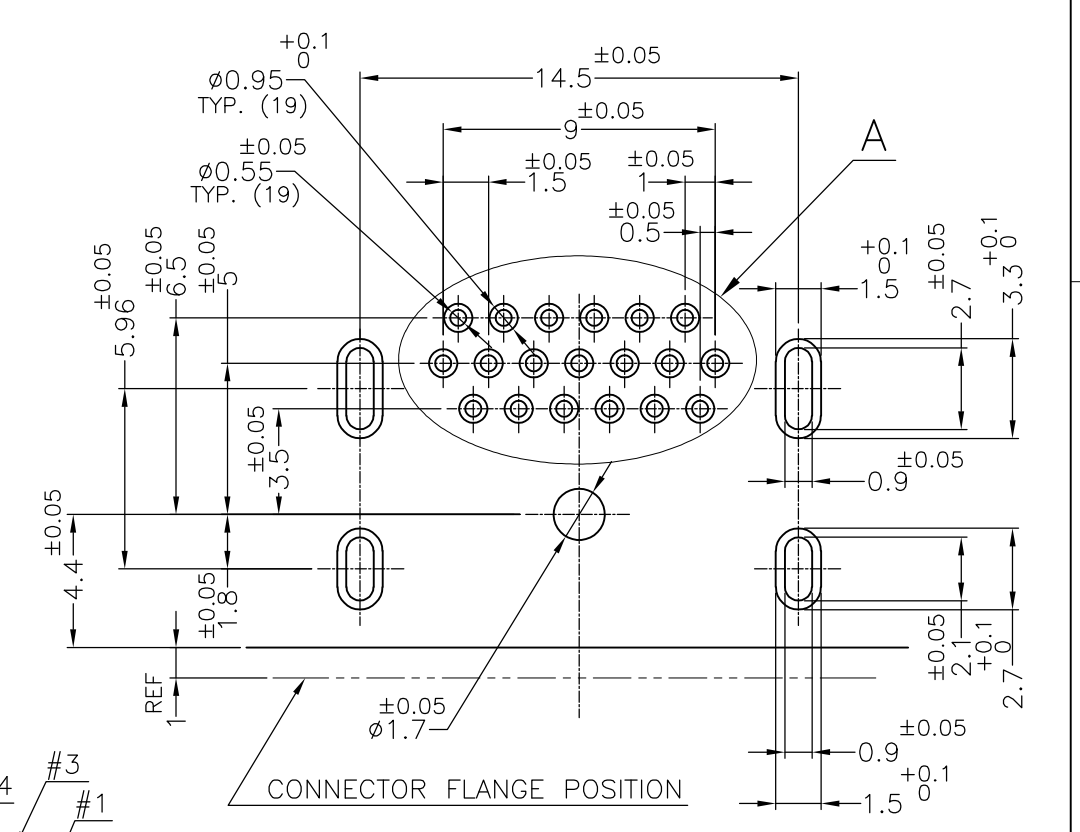
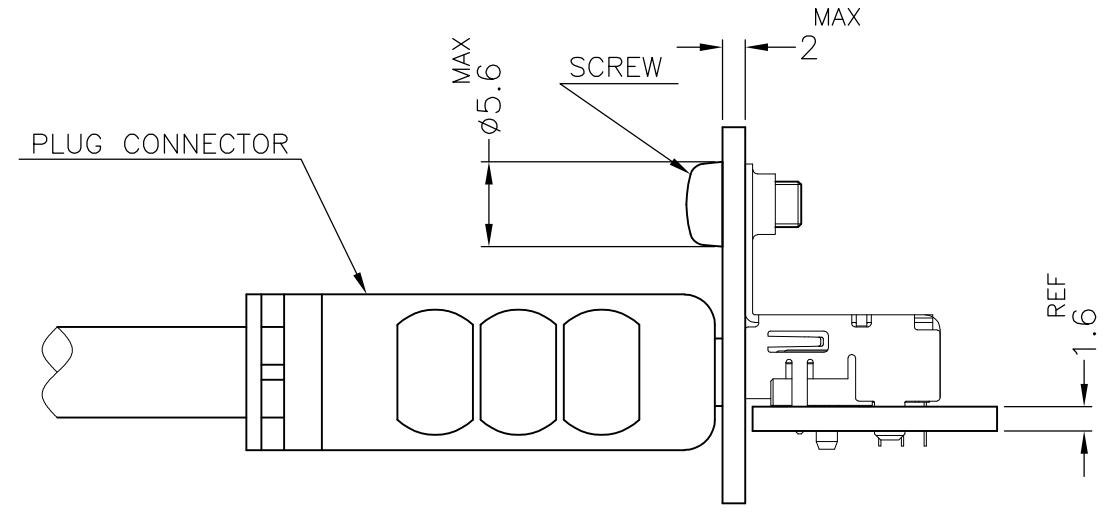
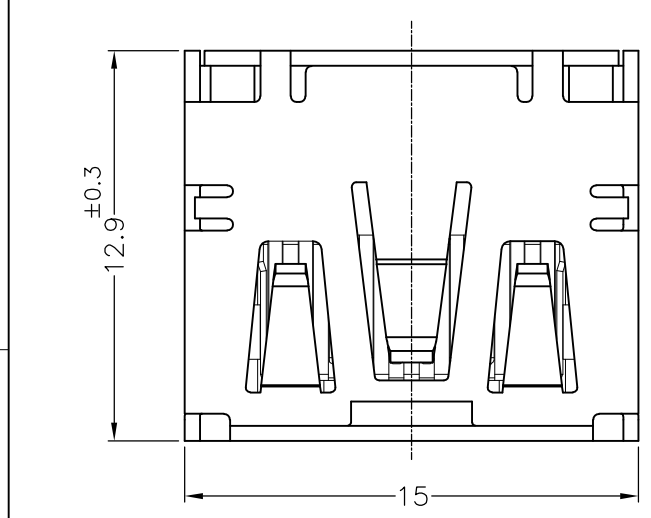
Email & Skype: info@chipsmall.com Web: www.chipsmall.com

Address: A1208, Overseas Decoration Building, #122 Zhenhua RD., Futian, Shenzhen, China

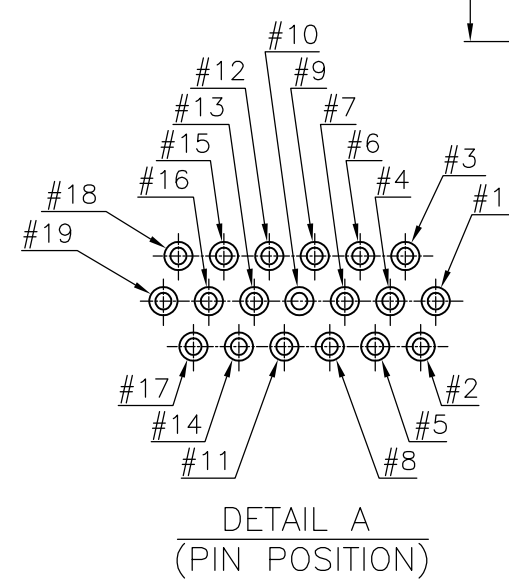
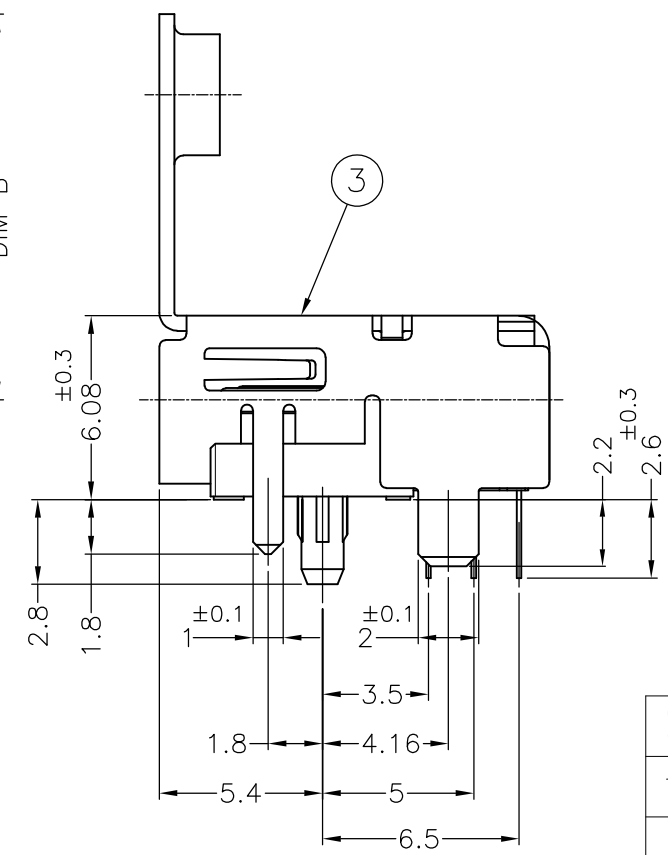
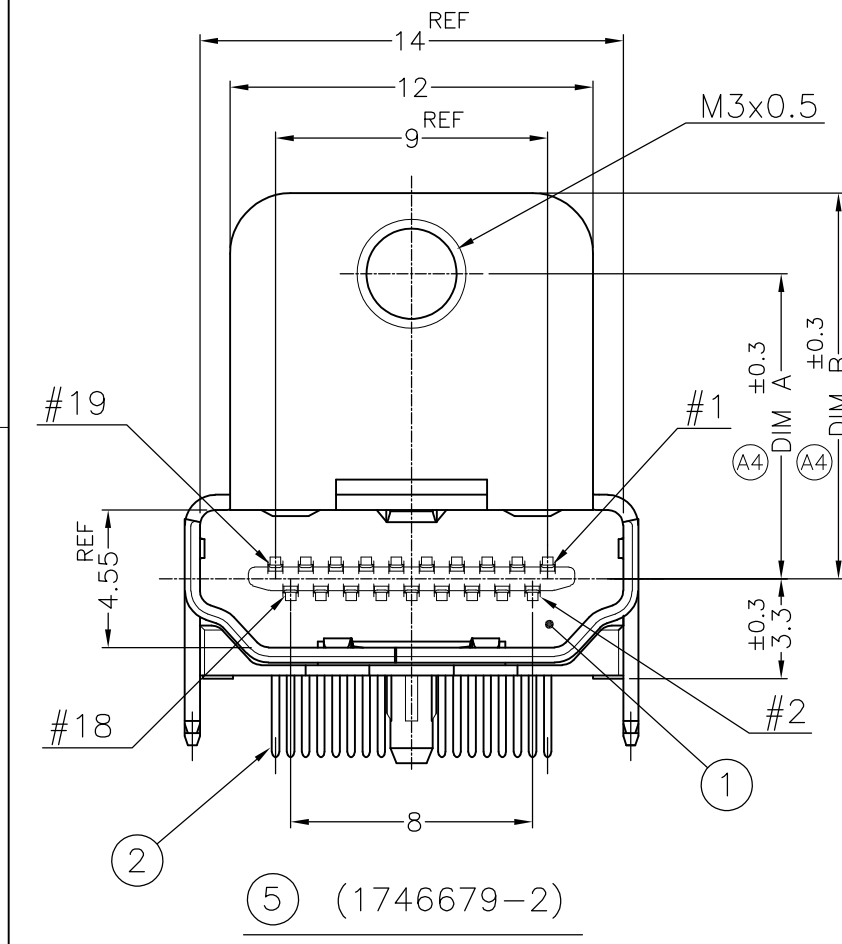


THIS DRAWING IS UNPUBLISHED. RELEASED FOR PUBLICATION
 © COPYRIGHT - By - ALL RIGHTS RESERVED.

LOC	DIST	REVISIONS			
P	LTR	DESCRIPTION	DATE	DWN	APVD
J	-	B1	REVISED PER ECO-11-005030	11MAR11	RK HMR



MATING CONDITION (REFERENCE)
 (SCALE 2:1)



P.C.B LAYOUT
 SHOWN AS CONNECTOR MOUNTING SIDE
 TOLERANCE: NON-CUMULATIVE
 (REFERENCE)

FINISH	MATERIAL	QTY.	DISCRIPTION	ITEM
CONTACT AREA: Au 0.3μm MIN. SOLDERING AREA: TIN, ALL OVER UNDER Ni	COPPER ALLOY	19	CONTACT	(3)
Tin (MATTE), ALL OVER UNDER Ni	COPPER ALLOY	1	SHELL	(2)
	THERMOPLASTIC UL94V-0, BLACK COLOR	1	HOUSING	(1)

P/N	DIM B	DIM A
1746679-2	12.75	10.08
1746679-1	11.97	9

THIS DRAWING IS A CONTROLLED DOCUMENT.

DWN	Y.HIRATA	15SEPT2004
CHK	T.KIMURA	15SEP2004
APVD	K.IKEGAMI	15SEP2004
PRODUCT SPEC	108-78180	
APPLICATION SPEC		
WEIGHT		

STE TE Connectivity

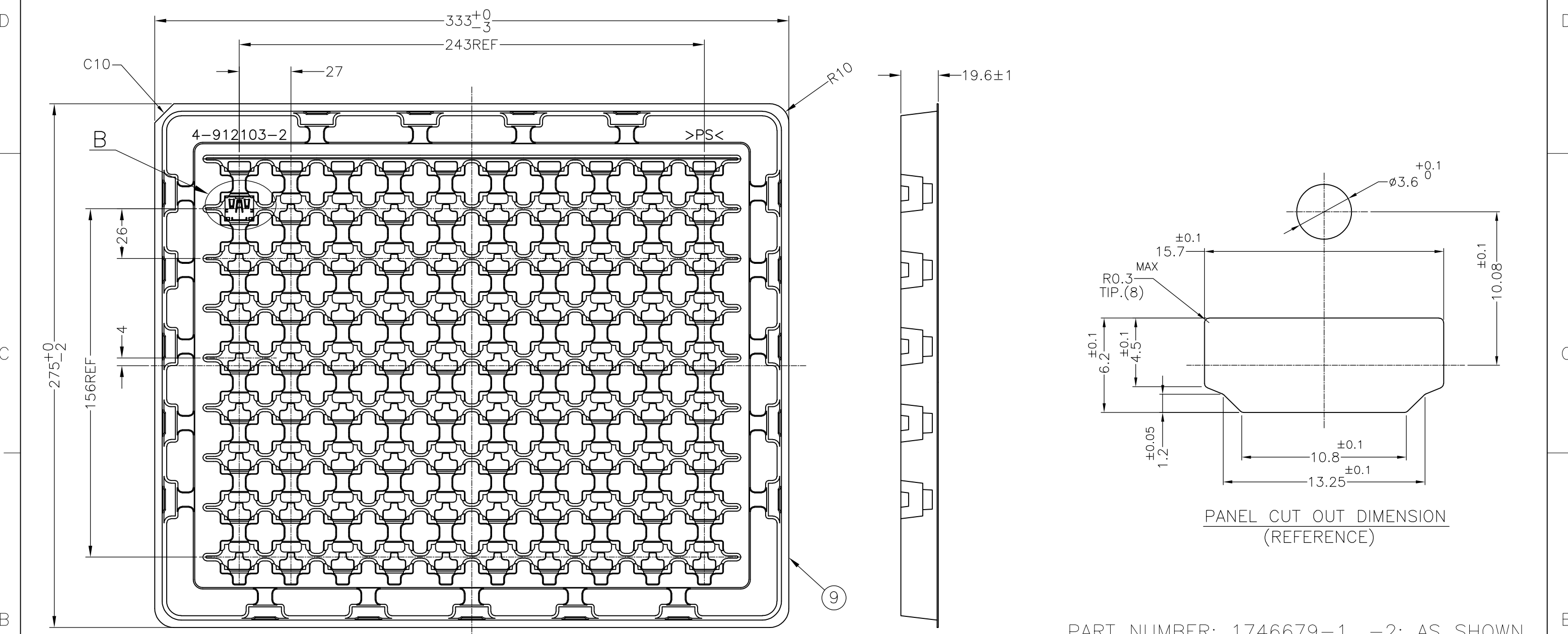
HDMI 19 POS
 RECEPTACLE ASSY DIP TYPE
 -LEAD FREE-

SIZE	CAGE CODE	DRAWING NO	RESTRICTED TO
A3	00779	C-1746679	

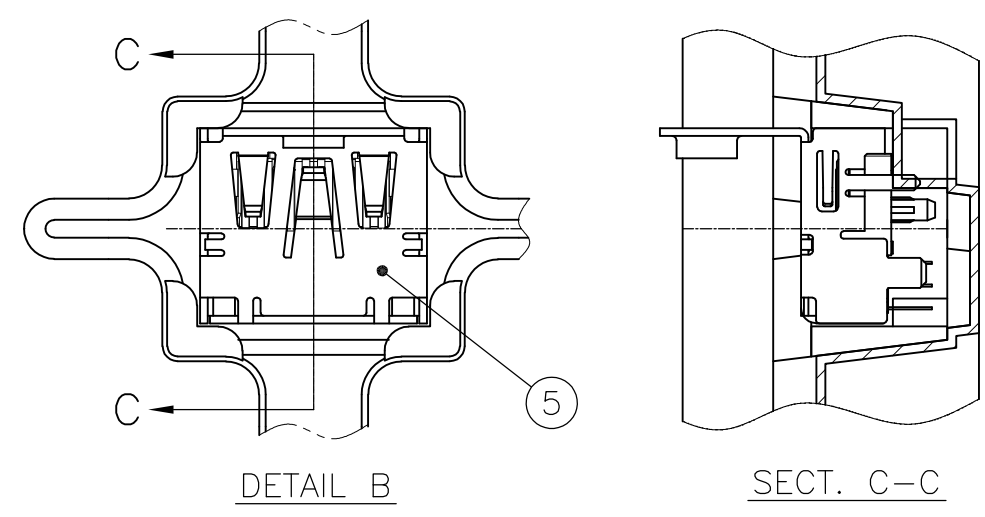
CUSTOMER DRAWING SCALE 4:1 SHEET 1 OF 2 REV B1

THIS DRAWING IS UNPUBLISHED. RELEASED FOR PUBLICATION
 © COPYRIGHT - By - ALL RIGHTS RESERVED.

LOC	DIST	REVISIONS			
P	LTR	DESCRIPTION	DATE	DWN	APVD
J	-	SEE SHEET 1	-	-	-



PART NUMBER: 1746679-1, -2; AS SHOWN



1746679-2	SEE SHEET 1	80	CONNECTOR	⑤
1746679-1	SEE SHEET 1	80	CONNECTOR	⑤
	PS	1	TRAY	④
PART NO	MATERIAL	QTY.	DISCRIPTION	ITEM

THIS DRAWING IS A CONTROLLED DOCUMENT.		DWN -		TE Connectivity HDMI 19 POS RECEPTACLE ASSY DIP TYPE -LEAD FREE-	
DIMENSIONS: MM		CHK -			
TOLERANCES UNLESS OTHERWISE SPECIFIED:		APVD -			
0 PLC ± 0.2 1 PLC ± 0.2 2 PLC ± 0.2 ± 0.3 3 PLC ± 0.2 4 PLC ± 0.2 ANGLES ± - FINISH		PRODUCT SPEC			
MATERIAL		APPLICATION SPEC		NAME	
		WEIGHT		SIZE	
CUSTOMER DRAWING		SCALE NTS		CAGE CODE 00779	
		SHEET 2 OF 2		DRAWING NO C-1746679	
		REV B1		RESTRICTED TO	