



Chipsmall Limited consists of a professional team with an average of over 10 year of expertise in the distribution of electronic components. Based in Hongkong, we have already established firm and mutual-benefit business relationships with customers from,Europe,America and south Asia,supplying obsolete and hard-to-find components to meet their specific needs.

With the principle of “Quality Parts,Customers Priority,Honest Operation,and Considerate Service”,our business mainly focus on the distribution of electronic components. Line cards we deal with include Microchip,ALPS,ROHM,Xilinx,Pulse,ON,Everlight and Freescale. Main products comprise IC,Modules,Potentiometer,IC Socket,Relay,Connector.Our parts cover such applications as commercial,industrial, and automotives areas.

We are looking forward to setting up business relationship with you and hope to provide you with the best service and solution. Let us make a better world for our industry!



Contact us

Tel: +86-755-8981 8866 Fax: +86-755-8427 6832

Email & Skype: info@chipsmall.com Web: www.chipsmall.com

Address: A1208, Overseas Decoration Building, #122 Zhenhua RD., Futian, Shenzhen, China



NUMBER C-174683



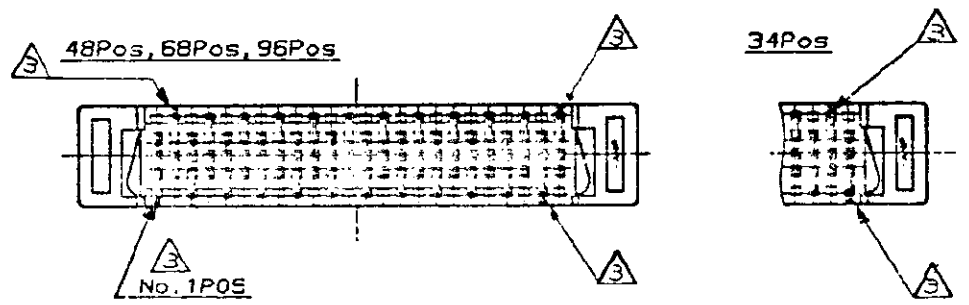
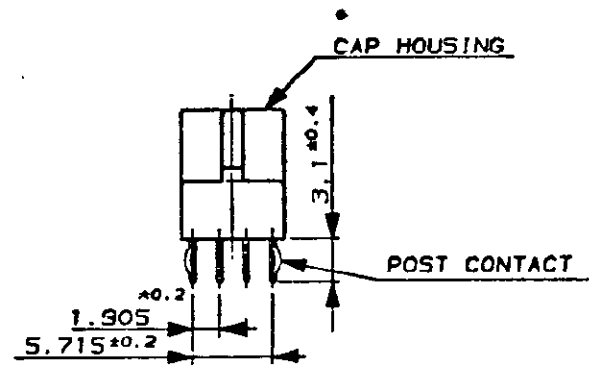
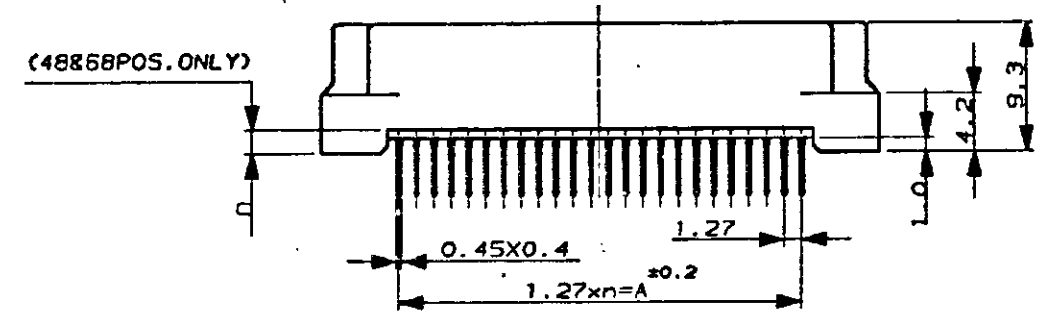
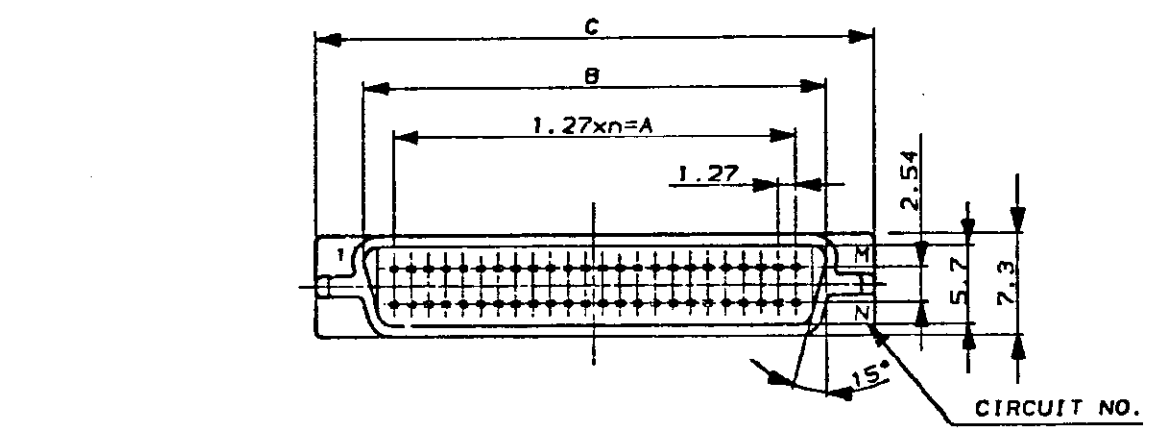
METRIC

APR 3 '81

DIMENSIONS IN MILLIMETERS. DO NOT SCALE PRINT

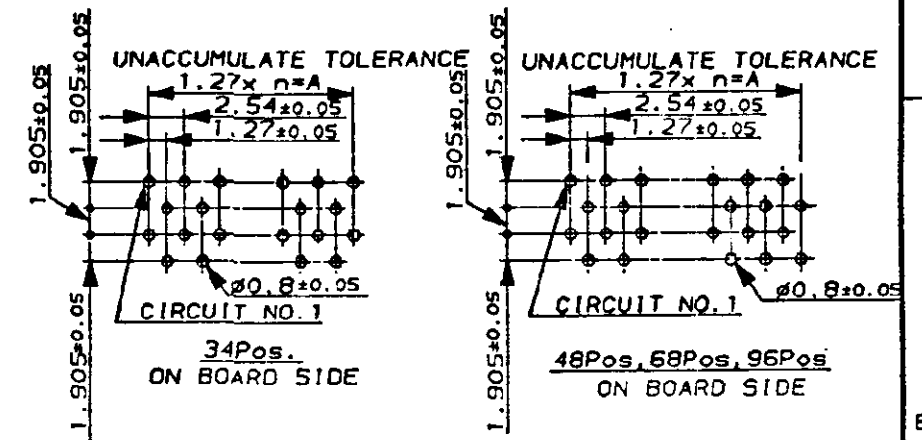
PRINT DIST

AMP-J
REV. 10/83



NOTES

- 1 MATERIAL AND FINISH
 CAP HOUSING
 , THERMOPLASTIC (UL94V-0) COLOR, BLACK
 POST CONTACT
 , PHOS-BRONZE FINISH, OVER NICKEL
 MATING END: 0.0002 MIN. OR
 0.00076 MIN. GOLD.
 TERMINATION END: TIN-LEAD
 OVER SEALING TREATMENT.
- 2 P.C.B LAYOUT AND P.C.B TREATMENT (REF.)
 USE A P.C.B SURFACE ARE TREATED WITH SOLDER RESIST.



3 KINK POSITIONS (4 POSITIONS)

Au Pl. 0.00076 MIN.	96	48	59.69	64.06	71.00	—	47	96	5-174683-8
	68	34	41.91	46.28	53.22	1.7	33	68	6-174683-7
	48	24	29.21	33.58	40.52	1.7	23	48	6-174683-6
	34	17	20.32	24.69	31.63	—	16	34	6-174683-5
Au Pl. 0.0002 MIN.	96	48	59.69	64.06	71.00	—	47	96	174683-8
	68	34	41.91	46.28	53.22	1.7	33	68	174683-7
	48	24	29.21	33.58	40.52	1.7	23	48	174683-6
	34	17	20.32	24.69	31.63	—	16	34	174683-5
REMARK	N	M	A	B	C	D	n	POS.	PART NO.
	CIRCUIT NO.		DIMENSION						

				WIRE RANGE		INSULATION DIA		NAME	
				MATERIAL		FINISH		CAP ASS'Y VERTICAL (W/KINK) FOR AMPLITE 050 SERIES I B-TO-B CONN.	
B REVISED ECN: J-13147 Yo.S RN 3/29/81				DR. Yo. SATO 12/23/87 DE.		GENERAL TOLERANCE		SIZE	LOC
A ADD Au 0.76 um ECN: 10268 Yo.S 1/17/81				CNR. RAISHIJIWA 1-23-88 APP. [Signature]		0<= 10 : ±0.2	A3	J	NUMBER
O ECN: J-10187 Yo.S 3/21/88				LTR REVISION RECORD DR CNK DATE		10<= 30 : ±0.25	SCALE	REV.	SHEET
						30<= 100 : ±0.3	2-1	B	C-174683
						ANGLES : ±3°			10F1

AMP AMP (JAPAN), LTD.
Tokyo, Japan

CUSTOMER DRAWING