



Chipsmall Limited consists of a professional team with an average of over 10 year of expertise in the distribution of electronic components. Based in Hongkong, we have already established firm and mutual-benefit business relationships with customers from,Europe,America and south Asia,supplying obsolete and hard-to-find components to meet their specific needs.

With the principle of “Quality Parts,Customers Priority,Honest Operation,and Considerate Service”,our business mainly focus on the distribution of electronic components. Line cards we deal with include Microchip,ALPS,ROHM,Xilinx,Pulse,ON,Everlight and Freescale. Main products comprise IC,Modules,Potentiometer,IC Socket,Relay,Connector.Our parts cover such applications as commercial,industrial, and automotives areas.

We are looking forward to setting up business relationship with you and hope to provide you with the best service and solution. Let us make a better world for our industry!



Contact us

Tel: +86-755-8981 8866 Fax: +86-755-8427 6832

Email & Skype: info@chipsmall.com Web: www.chipsmall.com

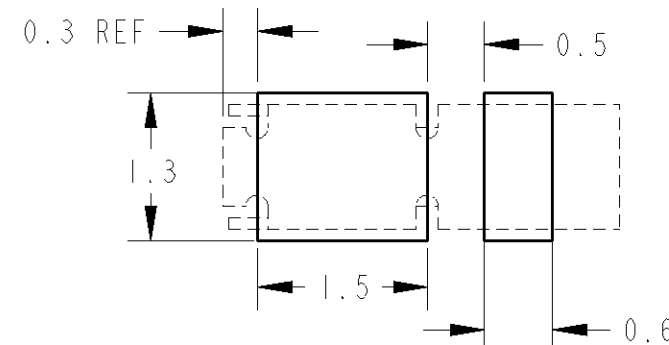
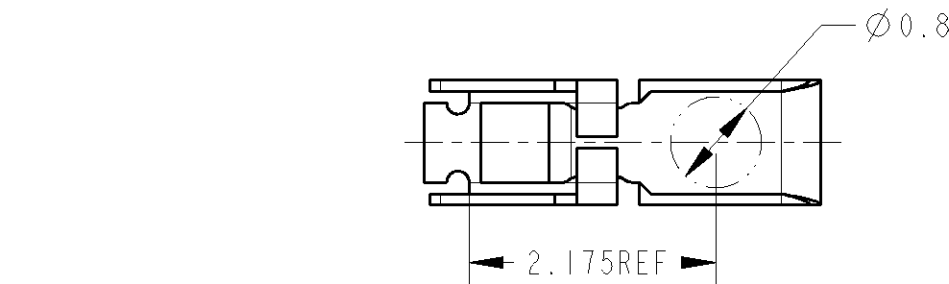
Address: A1208, Overseas Decoration Building, #122 Zhenhua RD., Futian, Shenzhen, China



LOC	DIST	REVISIONS						
		P	LTR	DESCRIPTION	DATE	DWN	APVD	
J	-	0		RELEASED	FJB0-0127-04	06APR2004	C.O	K.I

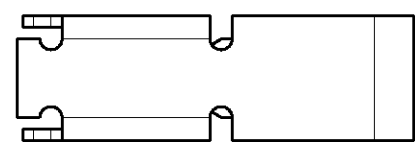
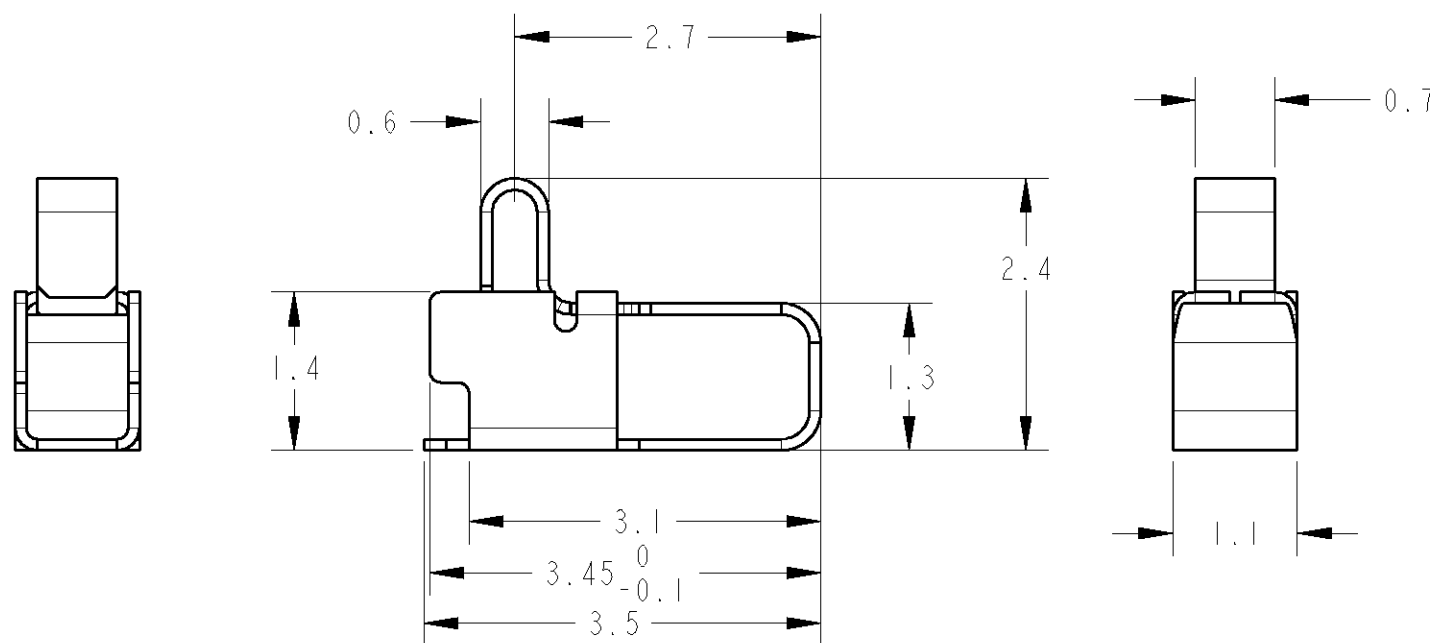
本図面に記載された内容はタイコ エレクトロニクス アンパ(株)の所有する情報を開示しております。
無断で複写・配布する事を禁じます。

特許出願中



参考パッド寸法
REFERENCE PCB PAD
(公差±0.05)

-1; 本図
-1; AS SHOWN



- ① めっき仕様
全面Ni下地 : 0.8μm MIN
コンタクトポイント : Au 0.25~0.5μm
半田付けエリア : Au 0.05μm MIN
2. カットバリ : 0.05MAX
その他 全周バリ : 0.03MAX

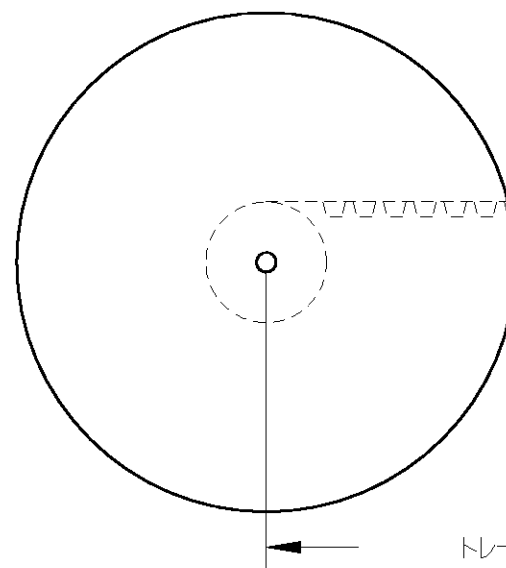
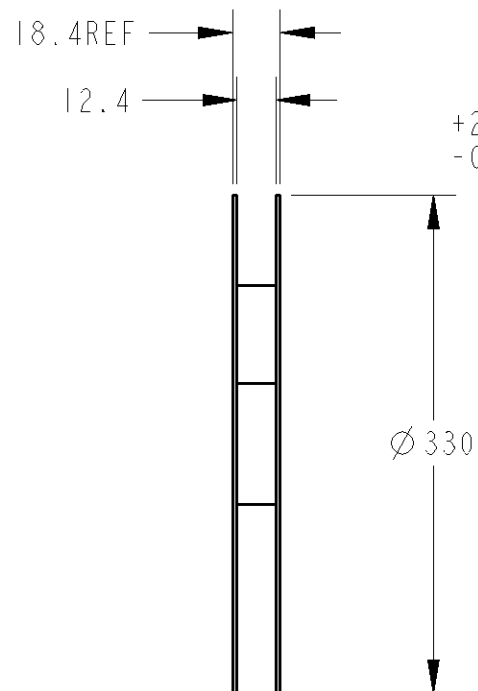
③ 材料: 銅合金

- ① PLATED
ALL OVER; Ni 0.8μm MIN
CONTACT POINT; Au 0.25~0.5μm
SOLDERING AREA; Au 0.05μm MIN
2. CUT BURR; 0.05 MAX.
OTHER BURR; 0.03 MAX.

③ MATERIAL; COPPER ALLOY

THIS DRAWING IS A CONTROLLED DOCUMENT FOR TYCO ELECTRONICS CORPORATION IT IS SUBJECT TO CHANGE AND THE CONTROLLING ENGINEERING ORGANIZATION SHOULD BE CONTACTED FOR THE LATEST REVISION.		DWN C. OHASHI 29JAN2004	tyco Tyco Electronics AMP K.K. Kawasaki, Japan	
DIMENSIONS: 単位: 概 mm		CHK T. KIMURA 06APR2004	NAME 名称 SHIELD FINGER 2411 ANTI OVER STRESS TYPE EMBOSS PACKING	
TOLERANCES UNLESS OTHERWISE SPECIFIED: 一般公差 ±0.2 0-PLC ± 1-PLC ±0.5 2-PLC ±0.13 3-PLC ±0.013 4-PLC ±0.001 ANGLES ±		APVD K. IKEGAMI 06APR2004	DRAWING NO 番号 C=1746854	
MATERIAL 材料 SEE NOTE		PRODUCT SPEC 製品規格 108-5967	SIZE A3	RESTRICTED TO -
FINISH 仕上 SEE NOTE		APPLICATION SPEC 取付適用規格 -	CAGE CODE 00779	SCALE 15:1
WEIGHT 計算値 0.01g		SHEET 1 OF 2		REV 0
CUSTOMER DRAWING				

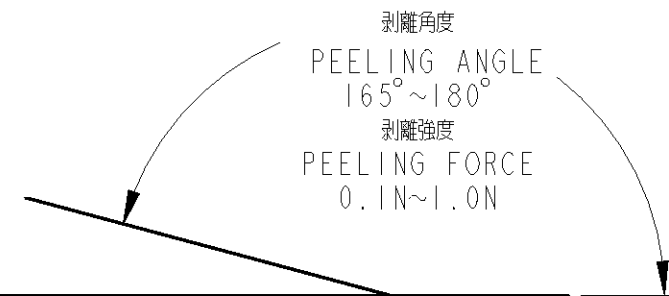
LOC	DIST	REVISIONS			
P	LTR	DESCRIPTION	DATE	DWN	APVD
J	-	-	-	-	-
		SEE SHEET 1			



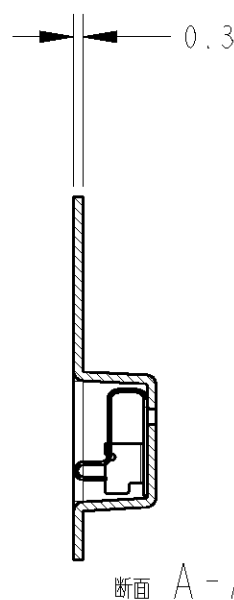
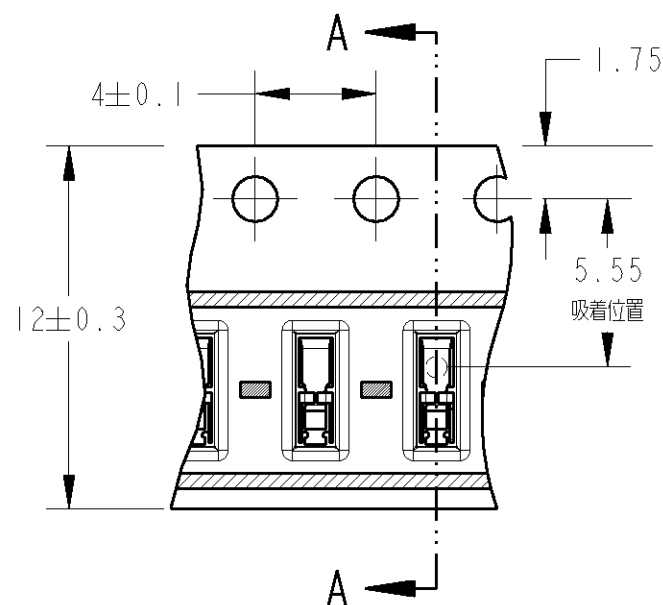
トレーラ部
160mmMIN
WITHOUT CHARGE

製品装填部
WITH PRODUCT CHARGE
5,000EA/REEL

300MIN
リーダ部 COVER TAPE
キャリアテープ空部 : 100mm MIN
WITHOUT CHARGE



→ DIRECTION OF TOP OF REEL



- 1 ; AS SHOWN
- 1 ; 本図

<small>THIS DRAWING IS A CONTROLLED DOCUMENT FOR TYCO ELECTRONICS CORPORATION IT IS SUBJECT TO CHANGE AND THE CONTROLLING ENGINEERING ORGANIZATION SHOULD BE CONTACTED FOR THE LATEST REVISION.</small>		DWN C.OHASHI 29JAN2004 CHK T.KIMURA 06APR2004 APVD K.IKEGAMI 06APR2004		tyco Electronics		Tyco Electronics AMP K.K. Kawasaki, Japan	
DIMENSIONS: mm		TOLERANCES UNLESS OTHERWISE SPECIFIED: ±0.2 0-PLC ± 1-PLC ±0.5 2-PLC ±0.13 3-PLC ±0.013 4-PLC ±0.0001 ANGLES ±		PRODUCT SPEC 108-5967		NAME SHIELD FINGER 2411 ANTI OVER STRESS TYPE EMBOSS PACKING	
MATERIAL SEE NOTE		FINISH SEE NOTE		APPLICATION SPEC -		RESTRICTED TO -	
		WEIGHT 0.01g		SIZE A3		CAGE CODE 00779	
		CUSTOMER DRAWING		DRAWING NO C=1746854		SCALE 15:1	
				SHEET 2 OF 2		REV 0	