



Chipsmall Limited consists of a professional team with an average of over 10 year of expertise in the distribution of electronic components. Based in Hongkong, we have already established firm and mutual-benefit business relationships with customers from,Europe,America and south Asia,supplying obsolete and hard-to-find components to meet their specific needs.

With the principle of "Quality Parts,Customers Priority,Honest Operation,and Considerate Service",our business mainly focus on the distribution of electronic components. Line cards we deal with include Microchip,ALPS,ROHM,Xilinx,Pulse,ON,Everlight and Freescale. Main products comprise IC,Modules,Potentiometer,IC Socket,Relay,Connector.Our parts cover such applications as commercial,industrial, and automotives areas.

We are looking forward to setting up business relationship with you and hope to provide you with the best service and solution. Let us make a better world for our industry!



Contact us

Tel: +86-755-8981 8866 Fax: +86-755-8427 6832

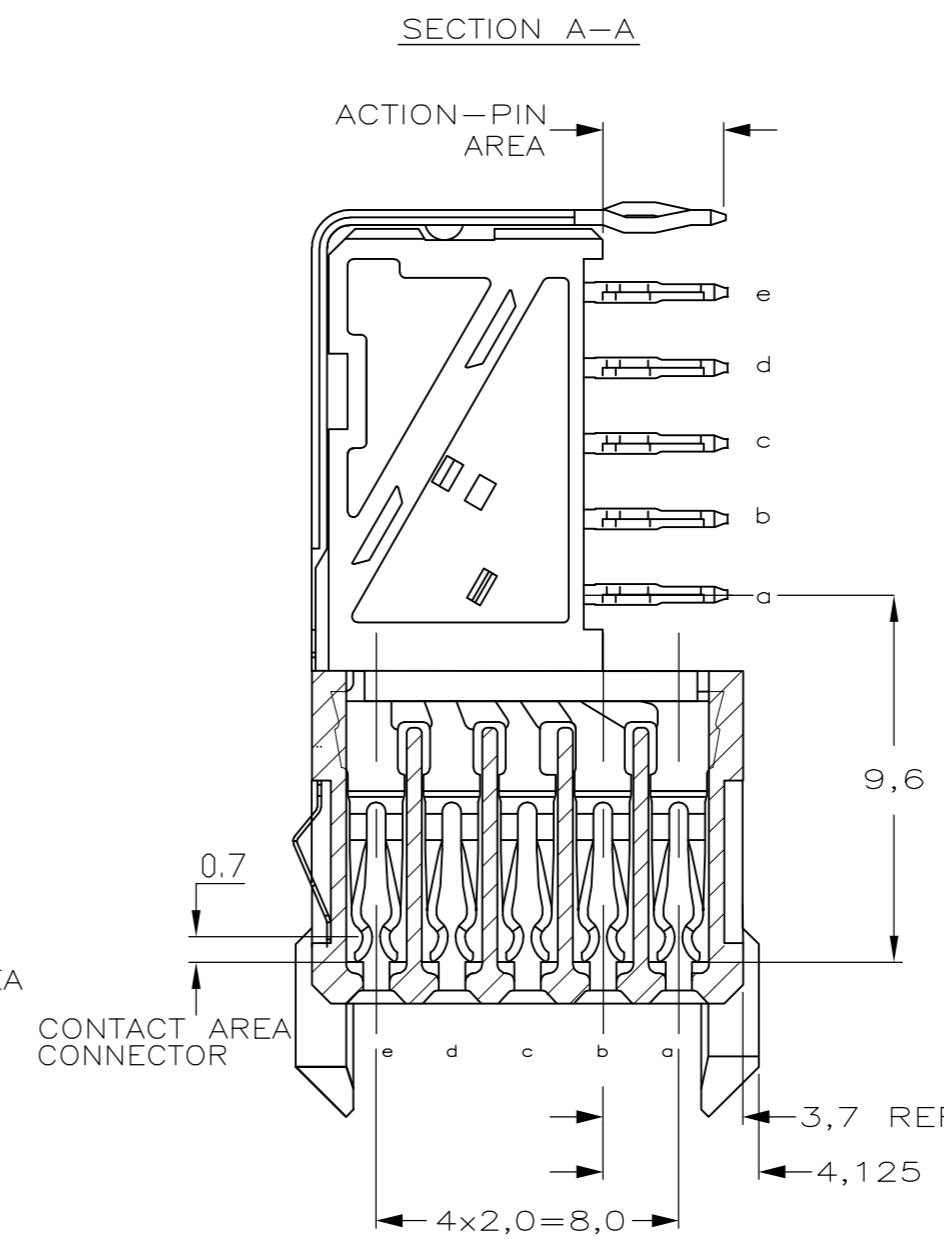
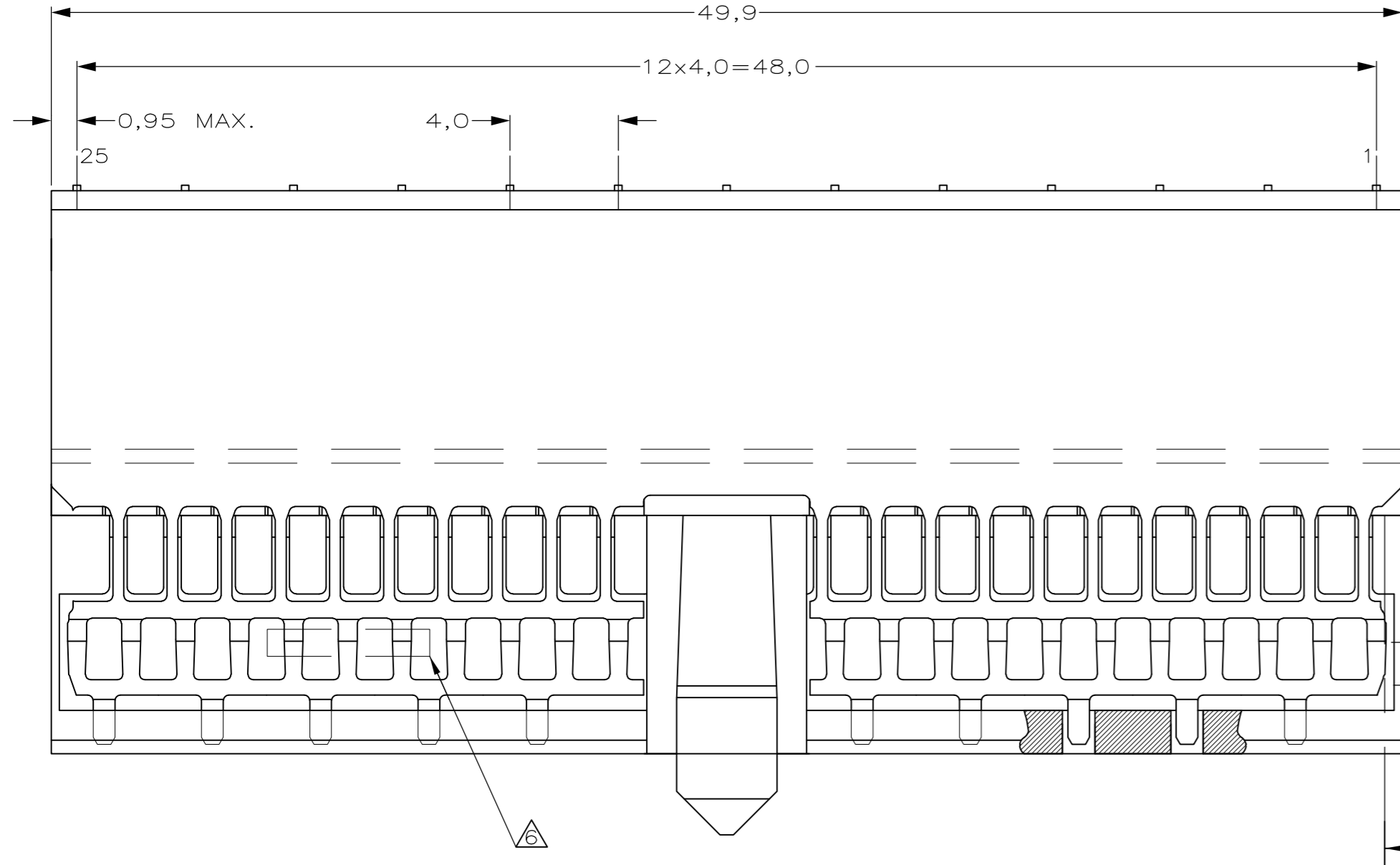
Email & Skype: info@chipsmall.com Web: www.chipsmall.com

Address: A1208, Overseas Decoration Building, #122 Zhenhua RD., Futian, Shenzhen, China

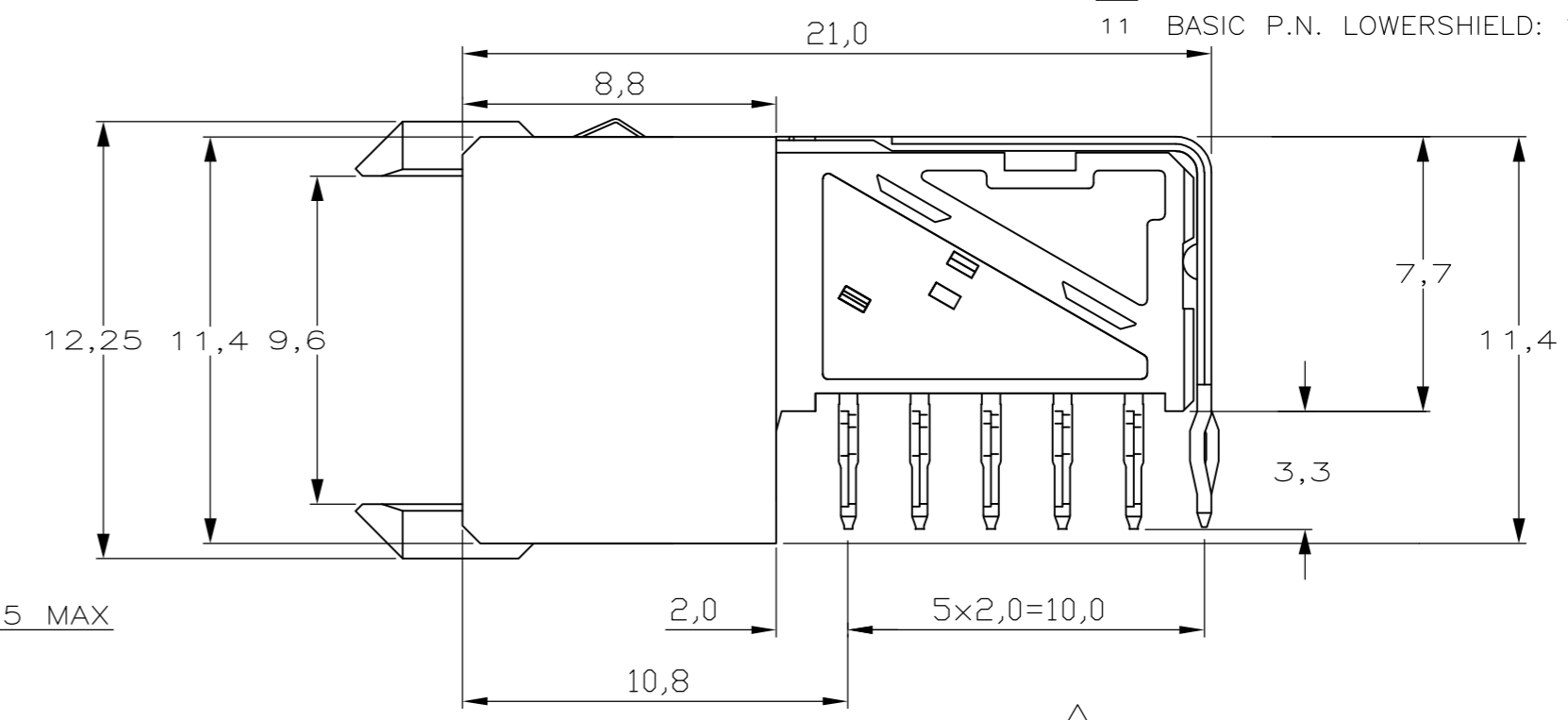
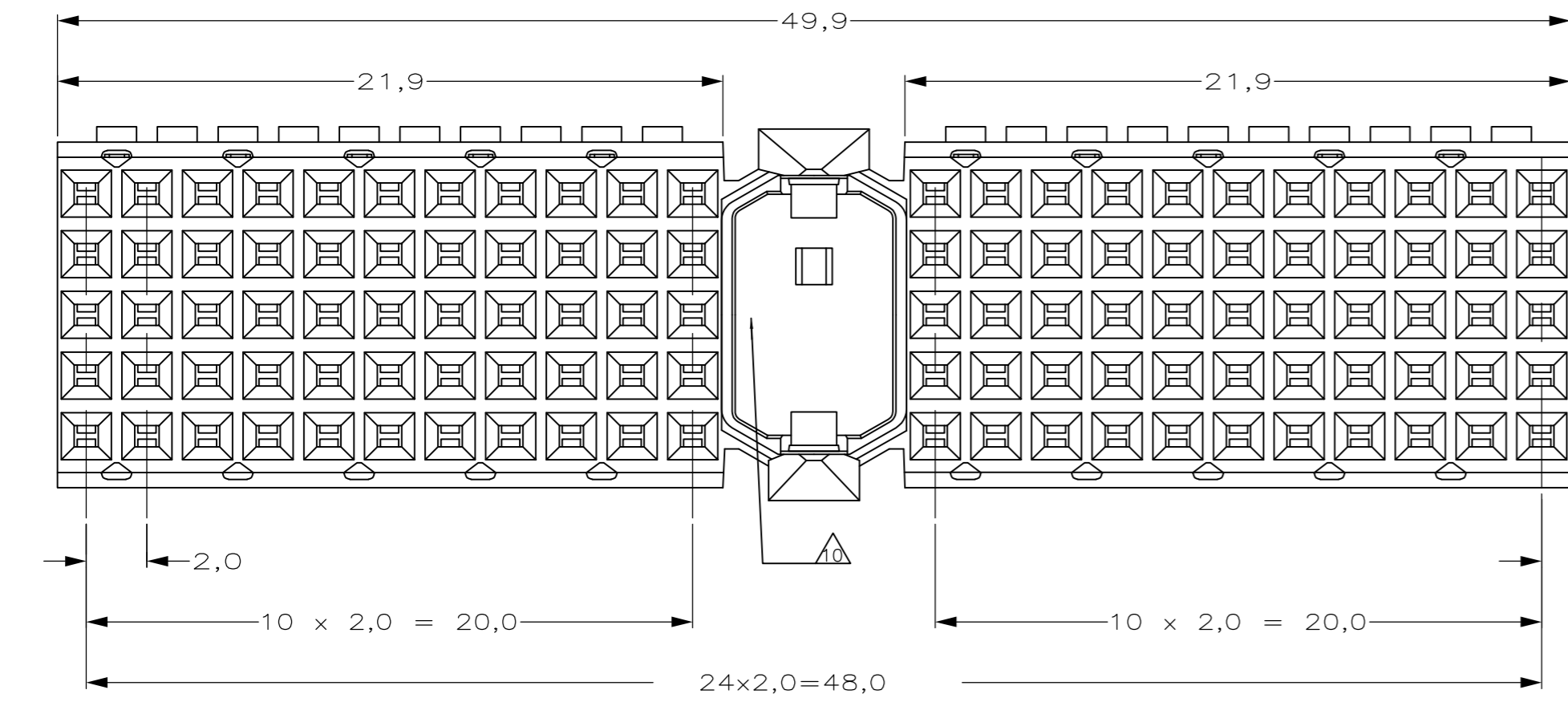


THIS DRAWING IS UNPUBLISHED. RELEASED FOR PUBLICATION
 © COPYRIGHT BY TYCO ELECTRONICS CORPORATION. ALL RIGHTS RESERVED.

LOC	DIST	P	LTR	REVISIONS	DATE	DWN	APVD
J	-	A		ECR-12-007088	17APR2012	SY	AC

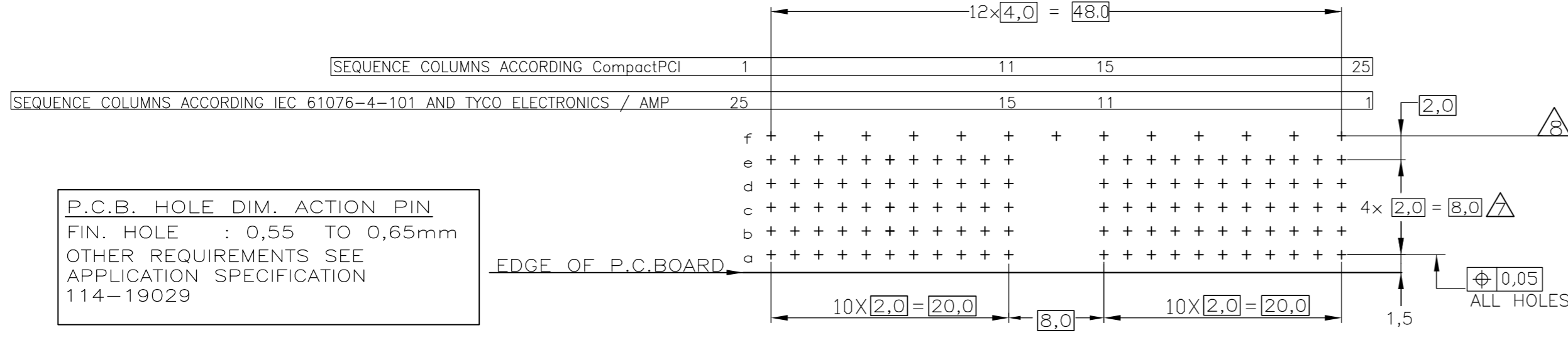


- ⚠ PLATING CONNECTOR:
CONTACT AREA: 0,76µm Au MIN. OVER 1,27µm Ni MIN.
ACTION PIN : 0,5µm SnPb MIN. OVER 1,27µm Ni MIN.
- ⚠ PLATING CONNECTOR:
CONTACT AREA: 0,76µm Au MIN. OVER 1,27µm Ni MIN.
ACTION PIN : 0,5µm Sn MIN. OVER 1,27µm Ni MIN.
- ⚠ PLATING SHIELD:
CONTACT AREA: 0,76µm Au MIN.
ACTION PIN : 0,5µm SnPb MIN.
REMAINDER : Ni
- ⚠ PLATING SHIELD:
CONTACT AREA: 0,76µm Au MIN.
ACTION PIN : 0,5µm Sn MIN.
REMAINDER : Ni
- ⚠ MATERIAL CONTACTS; PHOSPHORBRONZE
MATERIAL SHIELD; PHOSPHORBRONZE
MATERIAL HOUSING; GLASSFILLED POLYESTER (GRAY)
- ⚠ ASSEMBLY PRINTED WITH P/N AND DATECODE
THE MARKING CAN APPEAR ON THE FRONT SIDE OR
BACK SIDE.
- ⚠ HOLE PATTERN FOR FEMALE CONNECTOR TYPE A
110 PLATED-THROUGH HOLES AT 2x2mm SQUARE GRID
- ⚠ ROW "f" 13 PLATED THROUGH HOLES FOR UPERSHIELD
CONNECTOR LUBRICATED WITH BELLCORE
APPROVED LUBRICANT, TECHNICAL REFERENCE
TR-NWT-001217 ISSUE 1, SEPT. 1992.
- ⚠ CONNECTOR TESTED AND QUALIFIED ACCORDING BELLCORE
QUALITY LEVEL III, CENTRAL OFFICE APPLICATIONS
- ⚠ AREA RESERVED FOR KEYING PART (BASIC P.N. 100526)
BASIC P.N. LOWERSHIELD: 1746790



⚠ OBSOLETE PARTS: OBSOLETE CIS STREAMLINING PER D.RENAUD/D.SINISI

COMPONENT SIDE AS SHOWN
 RECOMMENDED PCB-HOLE LAY-OUT
 SCALE 2,5:1



P.C.B. HOLE DIM. ACTION PIN
 FIN. HOLE : 0,55 TO 0,65mm
 OTHER REQUIREMENTS SEE
 APPLICATION SPECIFICATION
 114-19029

OBSOLETE	FINISH	MATERIAL	PART NUMBER
⚠	⚠	⚠	1-1746992-9
⚠	⚠	⚠	1-1746992-1
⚠	⚠	⚠	-1746992-9-
⚠	⚠	⚠	1746992-1

THIS DRAWING IS A CONTROLLED DOCUMENT.

DWN	T.KATANO	10MAY04	Tyco Electronics AMP K.K. Kawasaki, Japan							
CHK	T.KIMURA	14MAY04								
APVD	K.IKEGAMI	14MAY04								
NAME	名称									
PRODUCT SPEC	製品規格		Z-PACK 2mm HM							
APPLICATION SPEC	取付適用規格		110 POS. FEMALE CONNECTOR TYPE A WITH GROUND RETURN UPPER SHIELD							
WEIGHT	-	-	SIZE	A2	CAGE CODE	00779	DRAWING NO	114-19029	RESTRICTED TO	-
MATERIAL	SEE TABLE	FINISH	仕上	SEE TABLE	SCALE	5:1	SHEET	1 OF 1	REV	A

CUSTOMER DRAWING