



Chipsmall Limited consists of a professional team with an average of over 10 year of expertise in the distribution of electronic components. Based in Hongkong, we have already established firm and mutual-benefit business relationships with customers from,Europe,America and south Asia,supplying obsolete and hard-to-find components to meet their specific needs.

With the principle of “Quality Parts,Customers Priority,Honest Operation,and Considerate Service”,our business mainly focus on the distribution of electronic components. Line cards we deal with include Microchip,ALPS,ROHM,Xilinx,Pulse,ON,Everlight and Freescale. Main products comprise IC,Modules,Potentiometer,IC Socket,Relay,Connector.Our parts cover such applications as commercial,industrial, and automotives areas.

We are looking forward to setting up business relationship with you and hope to provide you with the best service and solution. Let us make a better world for our industry!



Contact us

Tel: +86-755-8981 8866 Fax: +86-755-8427 6832

Email & Skype: info@chipsmall.com Web: www.chipsmall.com

Address: A1208, Overseas Decoration Building, #122 Zhenhua RD., Futian, Shenzhen, China



THIS DRAWING IS UNPUBLISHED.

RELEASED FOR PUBLICATION

APR ,1997.

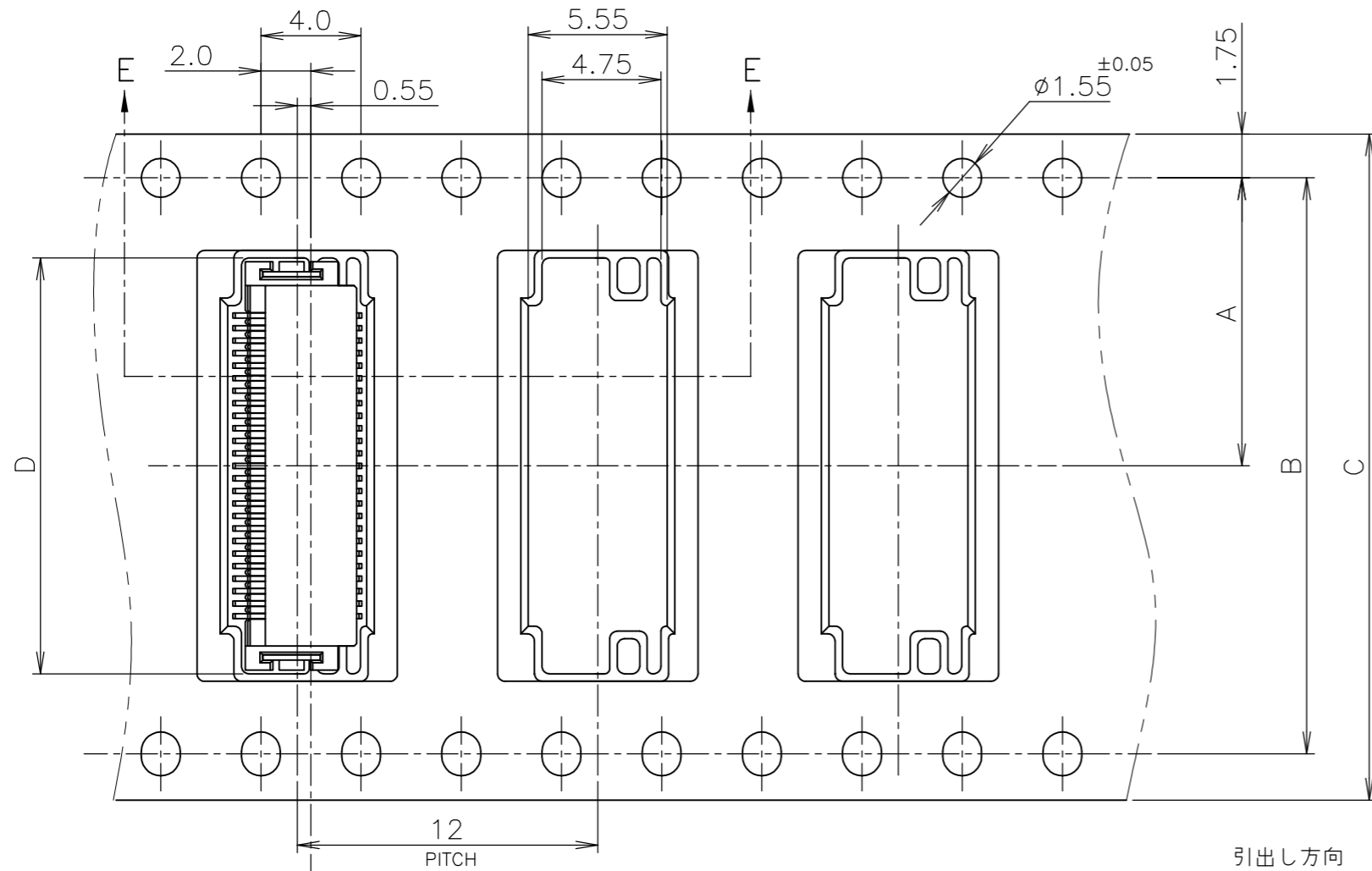
© COPYRIGHT 2004 By -

ALL RIGHTS RESERVED.

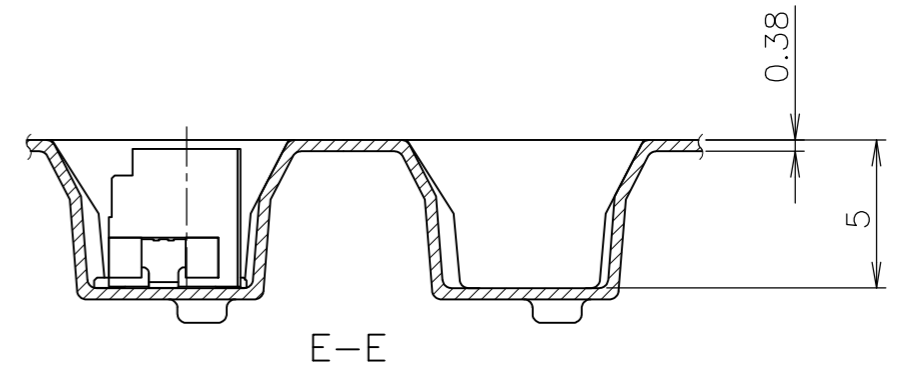
REVISIONS

変更

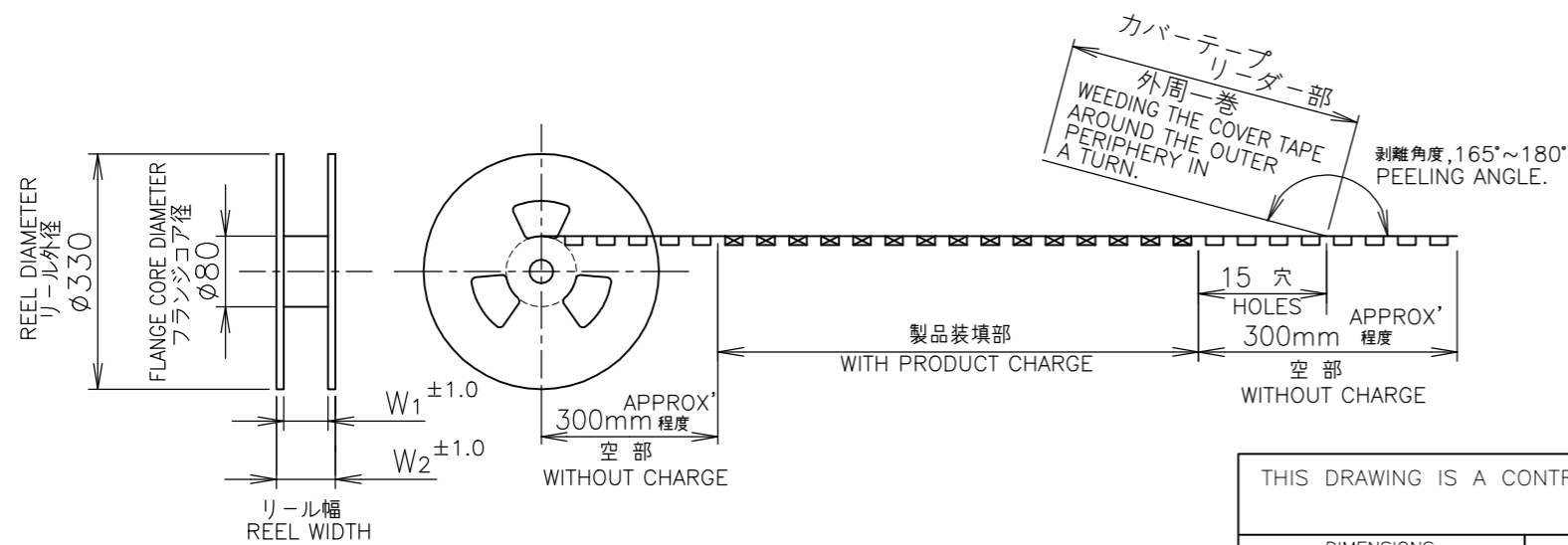
P	LTR	DESCRIPTION	DATE	DWN	APVD
	C	REVISED ECR-14-013112	30JAN2015	I.T	W.H
	C1	REVISED PER ECO-17-015460	19OCT2017	R.L	H.L



テープ幅
TAPE WIDTH



引出し方向
TOP OF REEL →



カバーテープ
リーダー部
外周一巻
WEEDING THE COVER TAPE
AROUND THE OUTER
PERIPHERY IN
A TURN.
剥離角度, 165°~180°
PEELING ANGLE.

鉛フリー
LEAD FREE

THIS DRAWING IS A CONTROLLED DOCUMENT.


DIMENSIONS:
単位: 耗
MM

TOLERANCES UNLESS
OTHERWISE SPECIFIED:
一般公差

0 PLC	± 0.3
1 PLC	± 0.3
2 PLC	± 0.3
3 PLC	± 0.3
4 PLC	± 0.3
ANGLES	± 3'

MATERIAL
材料

FINISH
仕上

INSTRUCTION SHEET 取扱説明書 411-5808	WIRE RANGE 包含電線断面積	INSULATION DIA 被覆外径		
DWN BILL LV 21JAN2011	 TE Connectivity			
CHK MARTIN LI 21JAN2011				
APVD STEVEN YAO 21JAN2011	NAME 名称			
PRODUCT SPEC 製品規格 108-5496	ON TAPING (EMBOSS) 0.5mm PITCH FINE MATE CONN. TAB ASSEMBLY (H-TYPE)			
APPLICATION SPEC 取付適用規格	SIZE A3	CAGE CODE 00779	DRAWING NO 番号 C-1747025	RESTRICTED TO
WEIGHT 0	SCALE 尺度 4:1	SHEET 1 OF 2	REV C1	
CUSTOMER DRAWING				

4

3

2

1

THIS DRAWING IS UNPUBLISHED.

RELEASED FOR PUBLICATION

APR ,1997.

© COPYRIGHT 2004 By -

ALL RIGHTS RESERVED.

REVISIONS

変更

P	LTR	DESCRIPTION	DATE	DWN	APVD
-	-	SEE SHEET 1	-	-	-

鉛フリー
LEAD FREE

OBSOLETE
OBSOLETE

© OBSOLETE

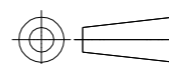
OBSOLETE
© OBSOLETE

	DIMENSIONS										QTY/ REEL	POS	CONNECTOR P/N	TAPING P/N
	W2	W1	E	D	C	B	A							
WITH BOSS														
OBSOLETE	36.7	33.5	0.4	22.2	32	28.4	14.2	1000	70	5	1747023-45	1747022-4		
OBSOLETE	49.5	45.5	0.38	24.7	40	40.4	20.2	1000	80	5	1747023-35	1747022-3		
WITHOUT BOSS														
© OBSOLETE	20.2	17.5	0.38	9.1	16	//	7.5	1000	20		1747026-9	1747025-9		
	29.5	25.5	0.38	16.6	24	//	11.5	1000	50		1747026-6	1747025-6		
OBSOLETE	37.5	33.5	0.38	19.1	32	28.4	14.2	1000	60		1747026-5	1747025-5		
© OBSOLETE	37.5	33.5	0.38	21.6	32	28.4	14.2	1000	70		1747026-4	1747025-4		
	49.5	45.5	0.4	24.1	44	40.4	20.2	1000	80		1747023-3	1747025-3		
	49.5	45.5	0.38	29.1	40	40.4	20.2	1000	100		1747026-1	1747025-1		
BOSS														

INSTRUCTION SHEET 取扱説明書 411-5808	WIRE RANGE 包含電線断面積 -	INSULATION DIA 被覆外径 -
--	----------------------------	-----------------------------

THIS DRAWING IS A CONTROLLED DOCUMENT.

DIMENSIONS:
単位: 耗
MM



TOLERANCES UNLESS
OTHERWISE SPECIFIED:
一般公差

- 0 PLC ± 0.3
- 1 PLC ± 0.3
- 2 PLC ± 0.3
- 3 PLC ± 0.3
- 4 PLC ± 0.3
- ANGLES ± 3'

MATERIAL
材料

FINISH
仕上

DWN
CHK
APVD

STE TE Connectivity

NAME
名称

ON TAPING (EMBOSS)
0.5mm PITCH FINE MATE CONN.
TAB ASSEMBLY (H-TYPE)

PRODUCT SPEC
製品規格
108-5496

APPLICATION SPEC
取付適用規格

SIZE
A3

CAGE CODE
00779

DRAWING NO
番号
C-1747025

RESTRICTED TO

WEIGHT

CUSTOMER DRAWING

SCALE
尺度 4:1

SHEET
2 OF 2

REV
C1