



Chipsmall Limited consists of a professional team with an average of over 10 year of expertise in the distribution of electronic components. Based in Hongkong, we have already established firm and mutual-benefit business relationships with customers from,Europe,America and south Asia,supplying obsolete and hard-to-find components to meet their specific needs.

With the principle of “Quality Parts,Customers Priority,Honest Operation,and Considerate Service”,our business mainly focus on the distribution of electronic components. Line cards we deal with include Microchip,ALPS,ROHM,Xilinx,Pulse,ON,Everlight and Freescale. Main products comprise IC,Modules,Potentiometer,IC Socket,Relay,Connector.Our parts cover such applications as commercial,industrial, and automotives areas.

We are looking forward to setting up business relationship with you and hope to provide you with the best service and solution. Let us make a better world for our industry!



## Contact us

Tel: +86-755-8981 8866 Fax: +86-755-8427 6832

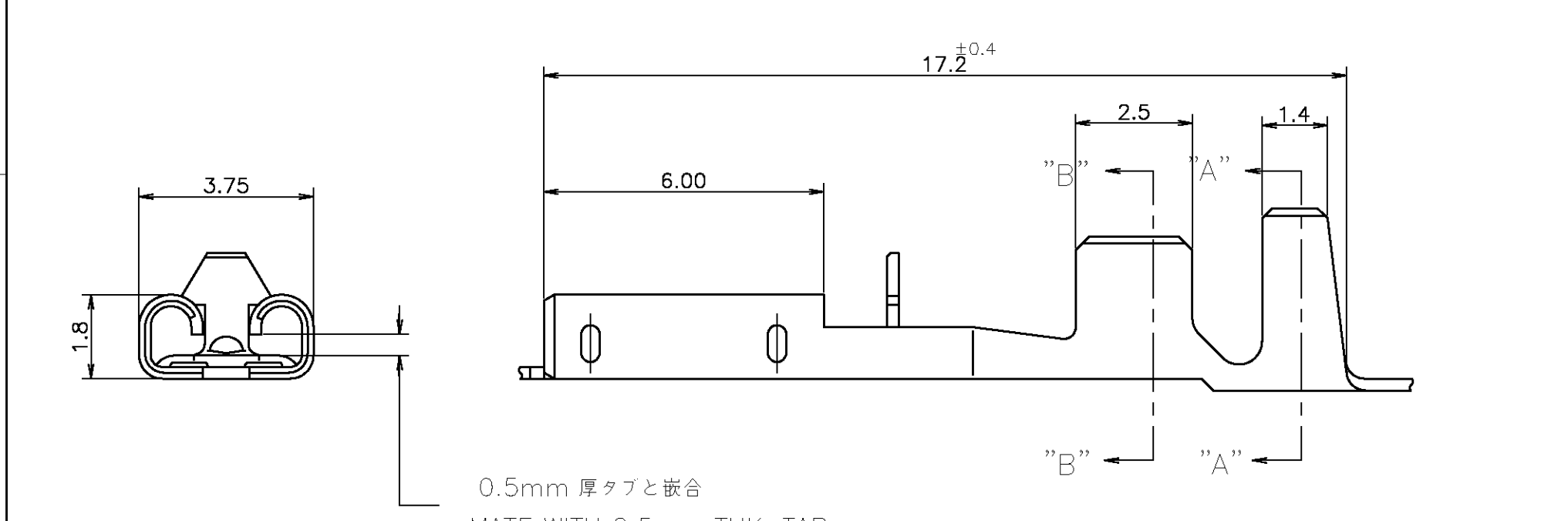
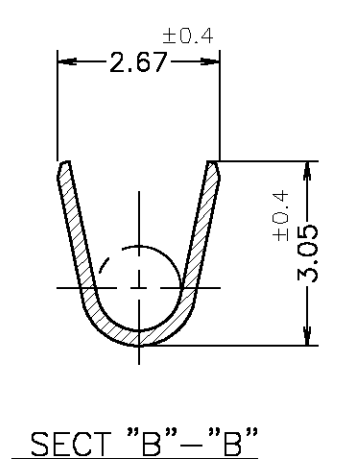
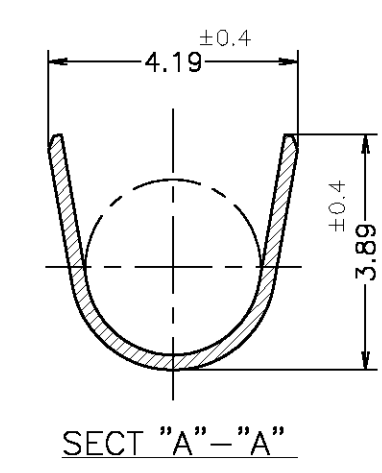
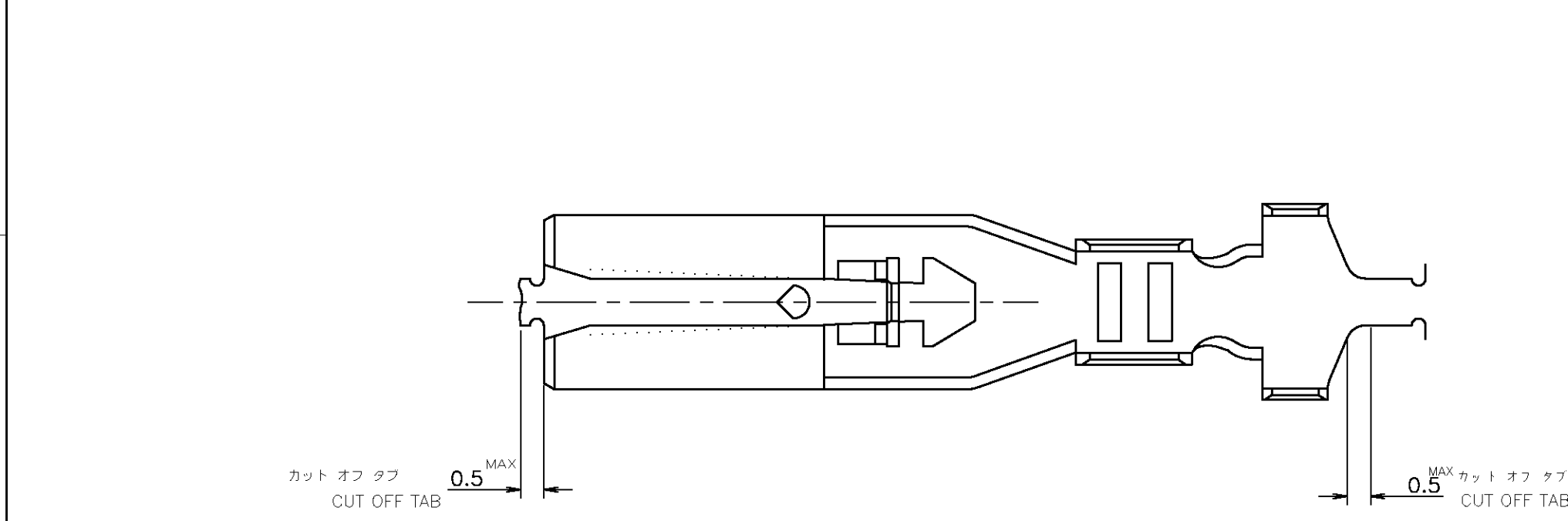
Email & Skype: info@chipsmall.com Web: www.chipsmall.com

Address: A1208, Overseas Decoration Building, #122 Zhenhua RD., Futian, Shenzhen, China



THIS DRAWING IS UNPUBLISHED. RELEASED FOR PUBLICATION  
 © COPYRIGHT BY TYCO ELECTRONICS CORPORATION. ALL INTERNATIONAL RIGHTS RESERVED.

LOC	DIST	REVISIONS					
J	—	P	LTR	DESCRIPTION	DATE	DWN	APVD
		C		改訂 REVISED	16MAR'09	J.S	N.Y



0.5mm 厚タブと嵌合  
 MATE WITH 0.5mm THK. TAB

- 注
- 適用ハウジング型番：174779-1
  - 適用アプリケーション型番：908979-2
  - バラ状端子型番：表参照

- NOTES:
- HOUSING P/N:174779-1
  - APPLICATOR :908979-2
  - L.P P/N: SEE TABLE

174778-2	錫めっき済焼青銅 PRE-TIN PHOS-BRO	174777-2
174778-1	錫めっき済黄銅 PRE-TIN BRASS	174777-1
バラ 型番 LOOSE PIECE P/N	材料 MATERIAL	型番 P/N

WIRE RANGE 総合電線断面積	AWG #20~#16	線径外径	φ2.03~φ3.1
-----------------------	-------------	------	------------

THIS DRAWING IS A CONTROLLED DOCUMENT.		DWN	T.YAMAMOTO	28.SEP.'00
DIMENSIONS: 単位： 耗 mm		CHK	A.OISHI	28.SEP.'00
TOLERANCES UNLESS OTHERWISE SPECIFIED: 一般公差		APVD	Y.KASHIWA	28.SEP.'00
10 ≥ ± 0.2		PRODUCT SPEC	製品規格	108-5252
30 ≥ >10 ± 0.25		APPLICATION SPEC	取付適用規格	114-5120
100 ≥ >30 ± 0.3		WEIGHT	0.244g	
MATERIAL 材料 表参照 SEE TABLE		CUSTOMER DRAWING		
ANGLES ± 0.3°		FINISH 仕上		

Tyco Electronics Corporation Kawasaki, Japan			
NAME 名称 110SERIES POSITIVE LOCK REC. CONTACT 110シリーズ ポジティブロック リセ・コンタクト			
SIZE	CAGE CODE	DRAWING NO 番号	RESTRICTED TO
A3	00779	C-174778	—
SCALE 尺度 8:1		SHEET 1 OF 1	REV C