



Chipsmall Limited consists of a professional team with an average of over 10 year of expertise in the distribution of electronic components. Based in Hongkong, we have already established firm and mutual-benefit business relationships with customers from,Europe,America and south Asia,supplying obsolete and hard-to-find components to meet their specific needs.

With the principle of "Quality Parts,Customers Priority,Honest Operation,and Considerate Service",our business mainly focus on the distribution of electronic components. Line cards we deal with include Microchip,ALPS,ROHM,Xilinx,Pulse,ON,Everlight and Freescale. Main products comprise IC,Modules,Potentiometer,IC Socket,Relay,Connector.Our parts cover such applications as commercial,industrial, and automotives areas.

We are looking forward to setting up business relationship with you and hope to provide you with the best service and solution. Let us make a better world for our industry!



## Contact us

Tel: +86-755-8981 8866 Fax: +86-755-8427 6832

Email & Skype: info@chipsmall.com Web: www.chipsmall.com

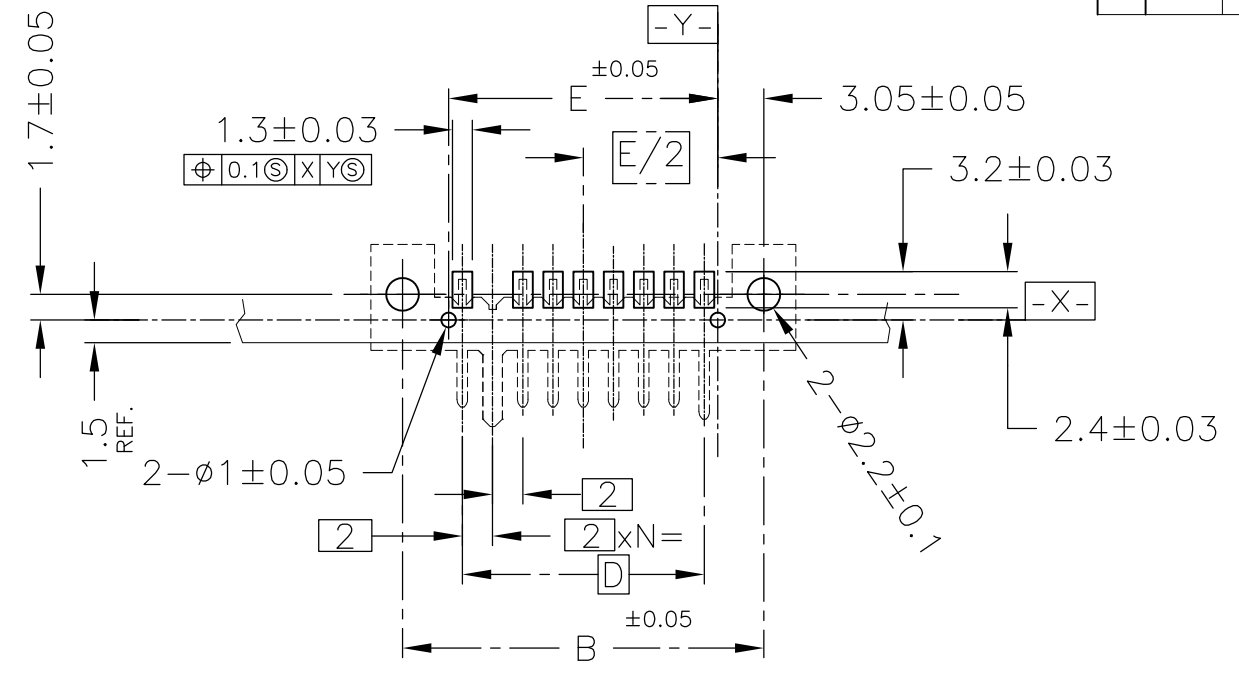
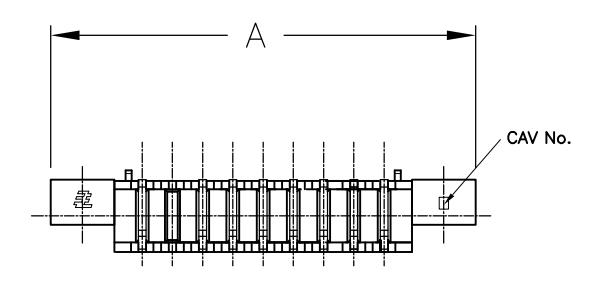
Address: A1208, Overseas Decoration Building, #122 Zhenhua RD., Futian, Shenzhen, China



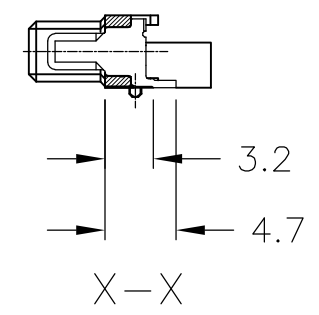
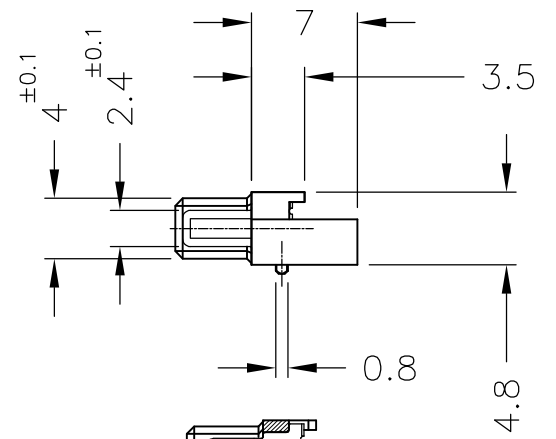
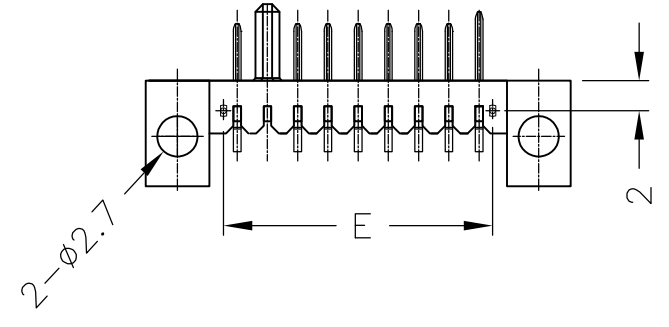
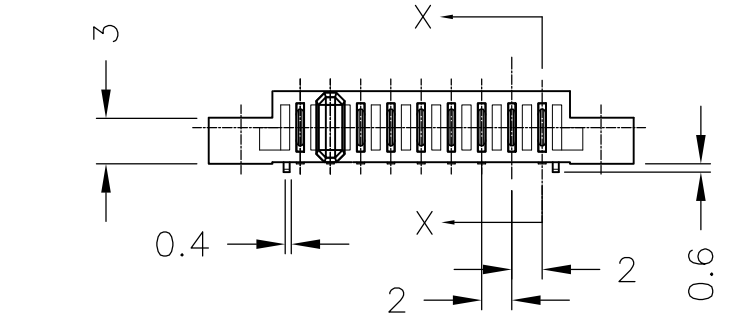
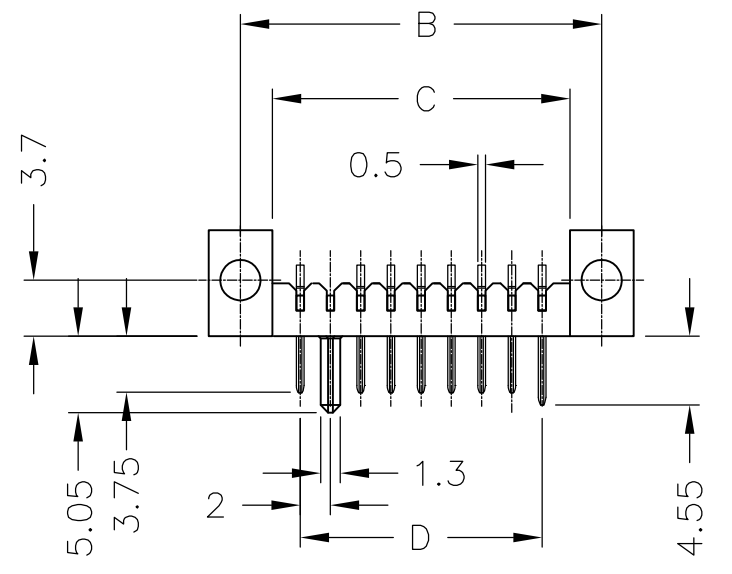
THIS DRAWING IS UNPUBLISHED. RELEASED FOR PUBLICATION  
 © COPYRIGHT BY TYCO ELECTRONICS CORPORATION. ALL INTERNATIONAL RIGHTS RESERVED.

LOC	DIST	REVISIONS					
ES		P	LTR	DESCRIPTION	DATE	DWN	APVD
		D		REVISED PER ECR-10-024411	29NOV2010	E.L	C.W

1747785-1:AS SHOWN



REFERENCE P.C.BOARD LAYOUT  
 P.C.BOARD THK 0.8~1.2  
 (VIEW FROM CONNECTOR MOUNTING SIDE)



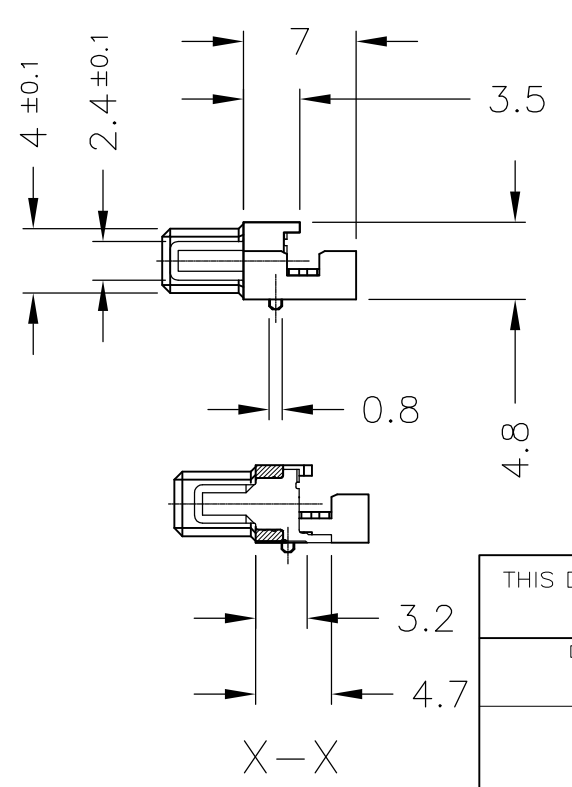
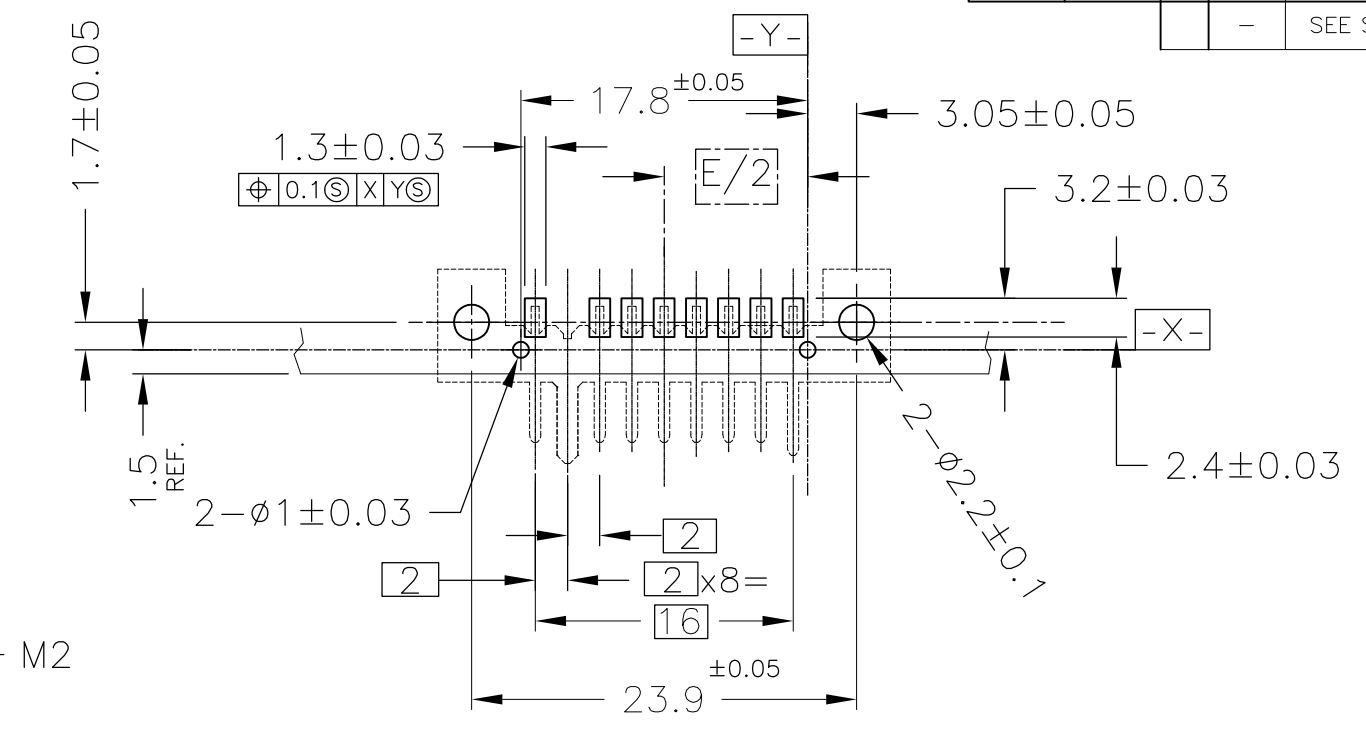
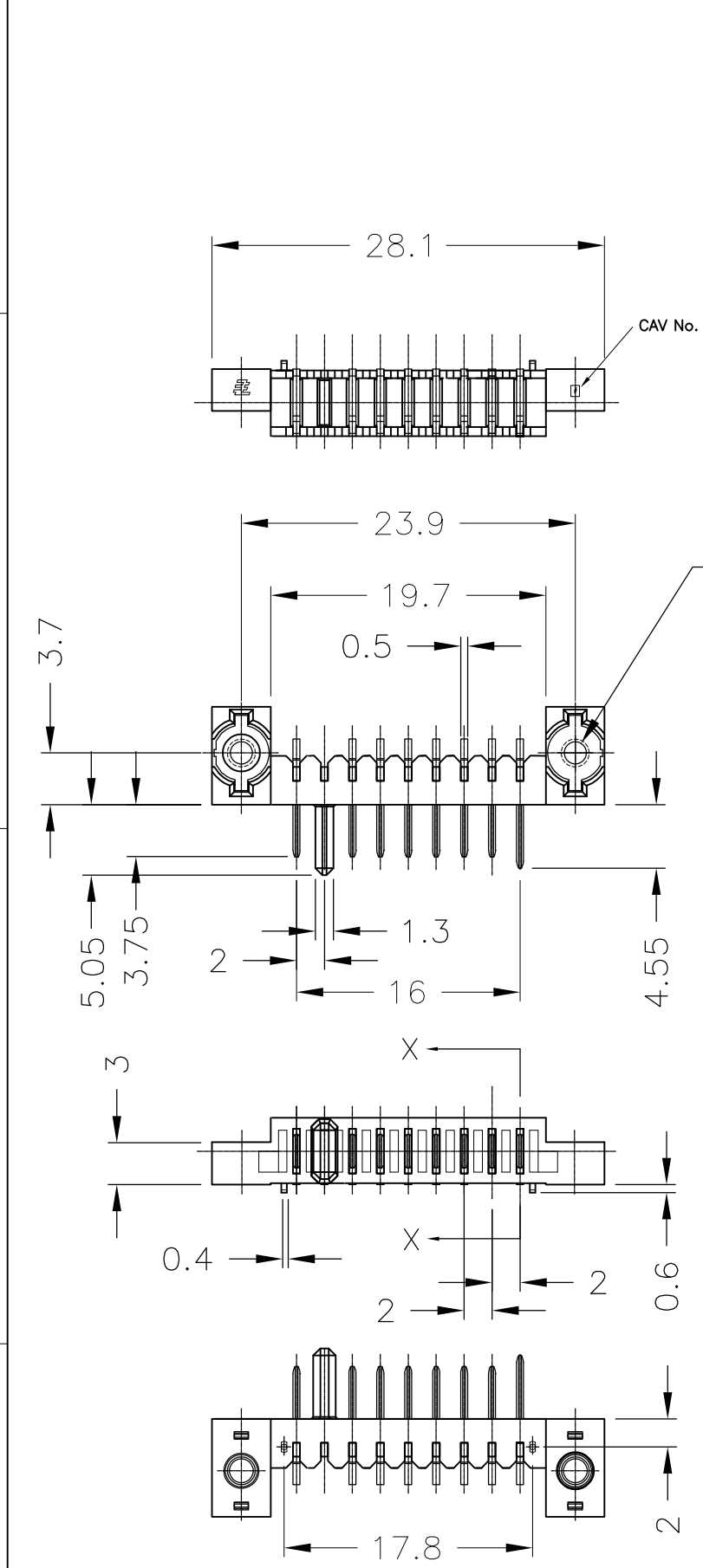
- ① MATERIAL HOUSING : 6T NYLON, UL94V-0  
 COLOR ; BLACK  
 CONTACT : COPPER ALLOY
- ② FINISH CONTACT : Ni 2μm MIN. ALL OVER UNDER PL  
 Au PL. 0.3μm MIN. AT CONTACT AREA  
 Au FLASH PL. 0.05~0.15μm  
 AT LEAD AREA

OBSELETE	1.4g	21.8	20	23.7	27.9	32.1	10	1747785-2
	1.2g	17.8	16	19.7	23.9	28.1	8	1747785-1
WEIGHT	E	D	C	B	A	N (POS)		P/N

THIS DRAWING IS A CONTROLLED DOCUMENT.		DWN T.KATANO 12AUG04	Tyco Electronics Corporation Harrisburg, PA 17105-3608	
DIMENSIONS: 单位: 耗 mm		CHK T.KIMURA 12AUG04		
TOLERANCES UNLESS OTHERWISE SPECIFIED: 一般公差		APVD K.IKEGAMI 12AUG04	NAME 名称	
6-PLC ±0.3 4-PLC ± 2-PLC ± 3-PLC ± 4-PLC ± ANGLES ±3'		PRODUCT SPEC 製品規格 108-5850 APPLICATION SPEC 取付適用規格		PLUG ASSEMBLY 2mm PITCH BATTERY CONNECTOR REVERSE TYPE
MATERIAL 材料	FINISH 仕上	WEIGHT SEE TABLE	SIZE A3	CAGE CODE 00779
		DRAWING NO 番号 G-1747785		RESTRICTED TO
		CUSTOMER DRAWING		SCALE 尺度 2:1
				SHEET 1 OF 2
				REV D

THIS DRAWING IS UNPUBLISHED. RELEASED FOR PUBLICATION  
 © COPYRIGHT BY TYCO ELECTRONICS CORPORATION. ALL INTERNATIONAL RIGHTS RESERVED.

LOC	DIST	REVISIONS					
		P	LTR	DESCRIPTION	DATE	DWN	APVD
ES		-		SEE SHEET 1	-	-	-



1747785-3:AS SHOWN

- ① MATERIAL HOUSING : NYLON, UL94V-0  
 COLOR ; BLACK  
 CONTACT : COPPER ALLOY
- ② FINISH CONTACT : Ni 2μm MIN. ALL OVER UNDER PL  
 Au PL. 0.3μm MIN. AT CONTACT AREA  
 Au FLASH PL. 0.05~0.15μm AT LEAD AREA

1.26g	8	1747785-3
WEIGHT	POS	P/N

THIS DRAWING IS A CONTROLLED DOCUMENT.		DWN T.KATANO 12AUG04	Tyco Electronics Corporation Harrisburg, PA 17105-3608	
DIMENSIONS: 単位: 耗 mm		CHK T.KIMURA 12AUG04		
TOLERANCES UNLESS OTHERWISE SPECIFIED: 一般公差		APVD K.IKEGAMI 12AUG04	NAME 名称	
0 PLC ± 0.3		PRODUCT SPEC 製品規格		PLUG ASSEMBLY 2mm PITCH BATTERY CONNECTOR REVERSE TYPE
1 PLC ±		APPLICATION SPEC 取付適用規格		
2 PLC ±		SIZE	CAGE CODE	DRAWING NO 番号
3 PLC ±		WEIGHT	A300779	G-1747785
4 PLC ±		RESTRICTED TO		
ANGLES ± 3'		CUSTOMER DRAWING		
FINISH 仕上		SCALE 尺度	2:1	SHEET 2 OF 2
MATERIAL 材料		REV D		