



Chipsmall Limited consists of a professional team with an average of over 10 year of expertise in the distribution of electronic components. Based in Hongkong, we have already established firm and mutual-benefit business relationships with customers from,Europe,America and south Asia,supplying obsolete and hard-to-find components to meet their specific needs.

With the principle of "Quality Parts,Customers Priority,Honest Operation,and Considerate Service",our business mainly focus on the distribution of electronic components. Line cards we deal with include Microchip,ALPS,ROHM,Xilinx,Pulse,ON,Everlight and Freescale. Main products comprise IC,Modules,Potentiometer,IC Socket,Relay,Connector.Our parts cover such applications as commercial,industrial, and automotives areas.

We are looking forward to setting up business relationship with you and hope to provide you with the best service and solution. Let us make a better world for our industry!



Contact us

Tel: +86-755-8981 8866 Fax: +86-755-8427 6832

Email & Skype: info@chipsmall.com Web: www.chipsmall.com

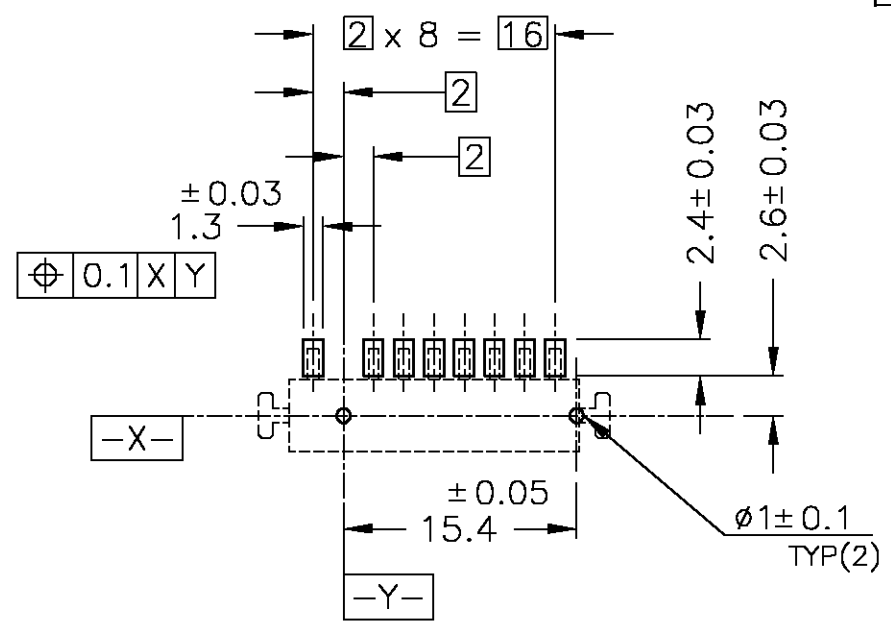
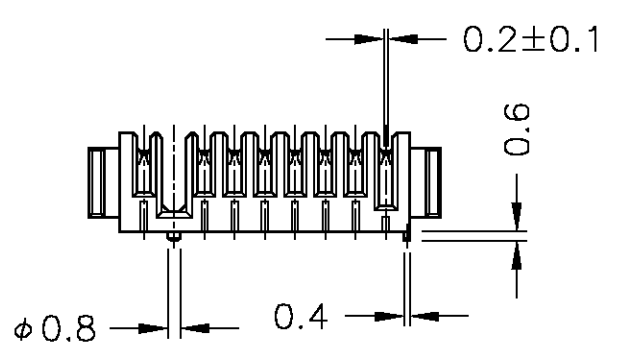
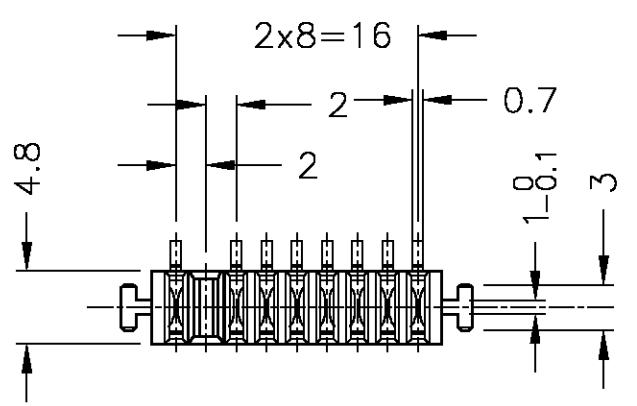
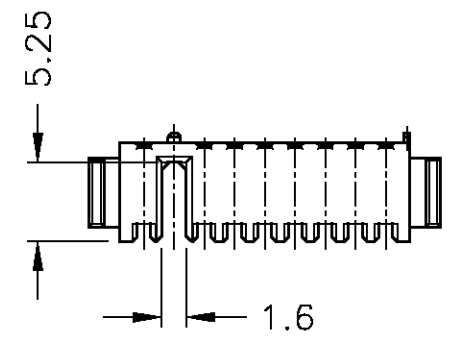
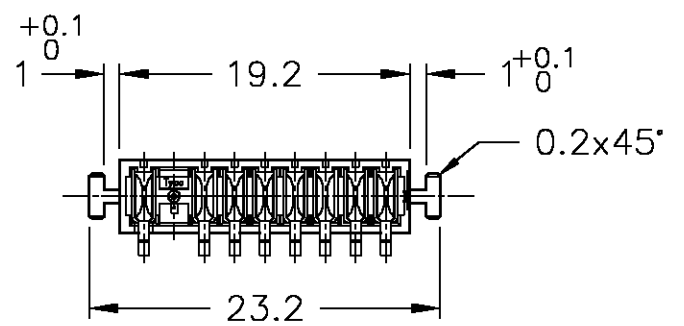
Address: A1208, Overseas Decoration Building, #122 Zhenhua RD., Futian, Shenzhen, China



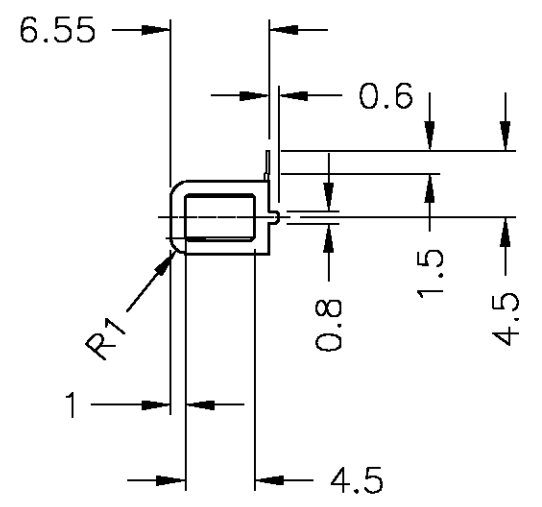
THIS DRAWING IS UNPUBLISHED. RELEASED FOR PUBLICATION 8 2004.
 © COPYRIGHT 2004 BY TYCO ELECTRONICS CORPORATION. ALL RIGHTS RESERVED.

LOC	DIST	REVISIONS					
		P	LTR	DESCRIPTION	DATE	DWN	APVD
J		0	RELEASED	FJBO-0796-04	12AUG04	T.K	K.I

1747786-1 AS SHOWN



基板取付参考寸法
 REFERENCE P.C. BOARD LAYOUT
 P.C. BOARD THK 0.8~1.2
 (VIEW FROM CONNECTOR MOUNTING SIDE)



- ① 材料 ハウジング : 6Tナイロン、UL94V-0
色 ; 黒
コンタクト : 銅合金
- ② 仕上げ コンタクト : Ni 下地めっき 2μm以上
接触部 Auめっき 0.3μm以上
半田付け部 Auフラッシュめっき 0.05~0.15μm
- ① MATERIAL HOUSING : 6T NYLON, UL94V-0
COLOR ; BLACK
CONTACT : COPPER ALLOY
- ② FINISH CONTACT : Ni 2μm MIN. ALL OVER UNDER PL
Au PL. 0.3μm MIN. AT CONTACT AREA
Au FLUSH PL. 0.05~0.15μm AT LEAD AREA

THIS DRAWING IS A CONTROLLED DOCUMENT.		DWN T.KATANO 12AUG04	Tyco Electronics AMP K.K. Kawasaki, Japan	
DIMENSIONS: MM		CHK T.KIMURA 12AUG04		
TOLERANCES UNLESS OTHERWISE SPECIFIED:		APVD K.IKEGAMI 12AUG04	NAME	
0 PLC ± 0.3		PRODUCT SPEC	2mm PITCH BATTERY CONNECTOR 8POS RECEPTACLE ASSEMBLY, REVERSE TYPE	
1 PLC ± 0.3		APPLICATION SPEC	108-5850	
2 PLC ± 0.3		WEIGHT	SIZE	CAGE CODE
3 PLC ± 0.3		0.9g	A3	00779
4 PLC ± 0.3		MATERIAL ①	DRAWING NO	
ANGLES ± 3°			C-1747786	
FINISH ②		CUSTOMER DRAWING		RESTRICTED TO
		SCALE	SHEET	REV
		2:1	1 OF 1	0