



Chipsmall Limited consists of a professional team with an average of over 10 year of expertise in the distribution of electronic components. Based in Hongkong, we have already established firm and mutual-benefit business relationships with customers from,Europe,America and south Asia,supplying obsolete and hard-to-find components to meet their specific needs.

With the principle of “Quality Parts,Customers Priority,Honest Operation,and Considerate Service”,our business mainly focus on the distribution of electronic components. Line cards we deal with include Microchip,ALPS,ROHM,Xilinx,Pulse,ON,Everlight and Freescale. Main products comprise IC,Modules,Potentiometer,IC Socket,Relay,Connector.Our parts cover such applications as commercial,industrial, and automotives areas.

We are looking forward to setting up business relationship with you and hope to provide you with the best service and solution. Let us make a better world for our industry!



Contact us

Tel: +86-755-8981 8866 Fax: +86-755-8427 6832

Email & Skype: info@chipsmall.com Web: www.chipsmall.com

Address: A1208, Overseas Decoration Building, #122 Zhenhua RD., Futian, Shenzhen, China



4

3

2

1

THIS DRAWING IS UNPUBLISHED.

RELEASED FOR PUBLICATION

, 19

© COPYRIGHT 19

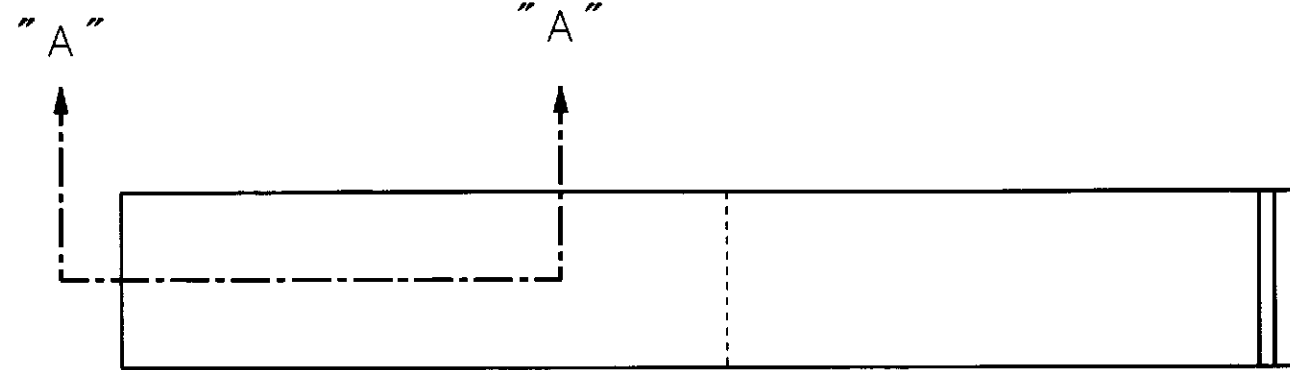
BY AMP INCORPORATED. ALL RIGHTS RESERVED.

LOC J

DISY

REVISIONS

P	LTR	DESCRIPTION	ECN	DATE	DWN	APVD
B		再作成 (REDRAWN)	FJ00-0036-99	8 JAN 99	R. S.	MS

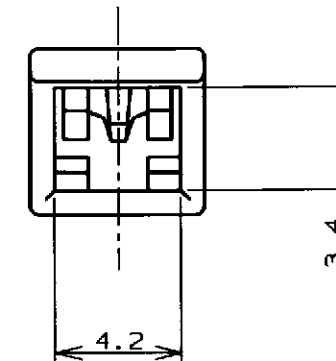
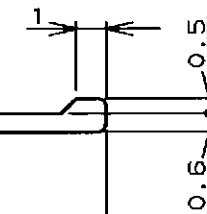
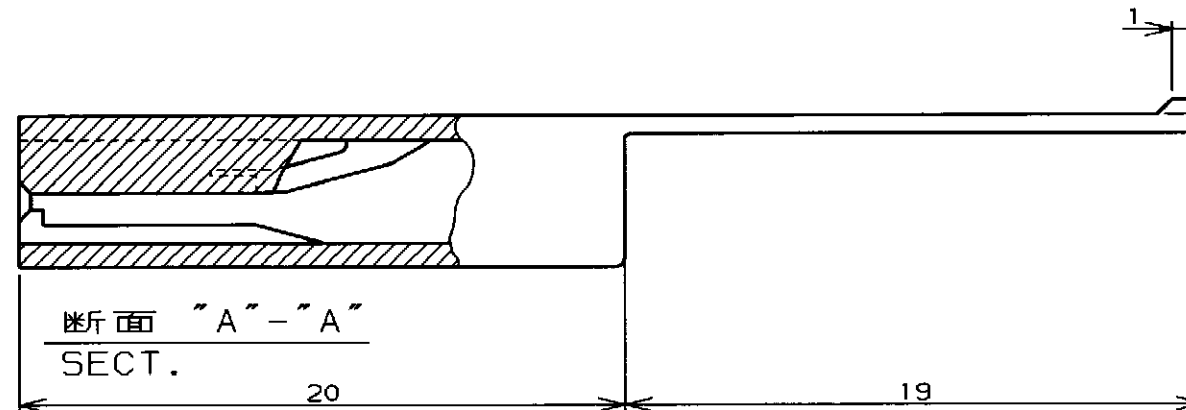
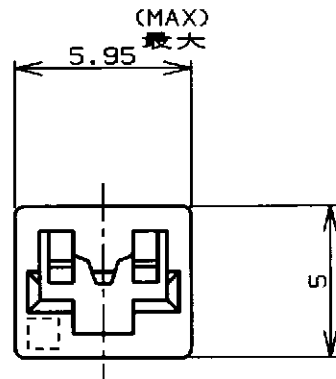


注 ;

- 1. 材料 : 6/6ナイロン UL94V-2
- 2. 適用コンタクト型番 :
連鎖状端子 : 175411-1, 174777-1
バラ状端子 : 175412-1, 174778-1
- 3. 適用引抜治具型番 : 724659-4

NOTES;

- 1. MATERIAL : 6/6NYLON UL94V-2
- 2. APPLICABLE CONTACT P/N :
S.T P/N : 175411-1, 174777-1
L.P P/N : 175412-1, 174778-1
- 3. APPLICABLE EXTRACTION TOOL P/N : 724659-4



6/6ナイロン (6/6NYLON)	自然色 (NATURAL)	174779-1
材料 (MATERIAL)	色調 (COLOR)	型番 (P/N)
WIRE RANGE 包合電線断面積	INSULATION DIA 被覆外径	
AMP 日本エー・エム・ジー株式会社 Kawasaki, Japan		
NAME 110 SERISE POSITIVE LOCK MARK-II 名称 1Pos. REC. HOUSING 110 シリーズ・ポジティブロック・マーク II 1極 リセ・ハウジング		
SIZE A3	CAGE CODE 00779	DRAWING NO. 174779
CUSTOMER DRAWING		RESTRICTED TO
SCALE 4:1	SHEET 1 OF 1	REV B

THIS DRAWING IS A CONTROLLED DOCUMENT FOR AMP INCORPORATED. IT IS SUBJECT TO CHANGE AND THE CONTROLLING ENGINEERING ORGANIZATION SHOULD BE CONTACTED FOR THE LATEST REVISION.	
DIMENSIONS: 単位・種 mm	TOLERANCES UNLESS OTHERWISE SPECIFIED 一般公差 10mm ±0.2 30mm ±0.25 100mm ±0.3 ANGLE ±3°
MATERIAL 材料 表参照 SEE TABLE	FINISH 仕上

OWN CHK APVD PRODUCT SPEC 108-5252 APPLICATION SPEC 取付適用規格 IS-397J WEIGHT 0.47g/EA	8 JAN 99 8 JAN 99
---	----------------------