



Chipsmall Limited consists of a professional team with an average of over 10 year of expertise in the distribution of electronic components. Based in Hongkong, we have already established firm and mutual-benefit business relationships with customers from,Europe,America and south Asia,supplying obsolete and hard-to-find components to meet their specific needs.

With the principle of “Quality Parts,Customers Priority,Honest Operation,and Considerate Service”,our business mainly focus on the distribution of electronic components. Line cards we deal with include Microchip,ALPS,ROHM,Xilinx,Pulse,ON,Everlight and Freescale. Main products comprise IC,Modules,Potentiometer,IC Socket,Relay,Connector.Our parts cover such applications as commercial,industrial, and automotives areas.

We are looking forward to setting up business relationship with you and hope to provide you with the best service and solution. Let us make a better world for our industry!



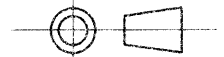
Contact us

Tel: +86-755-8981 8866 Fax: +86-755-8427 6832

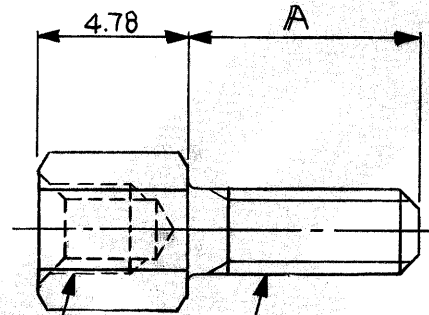
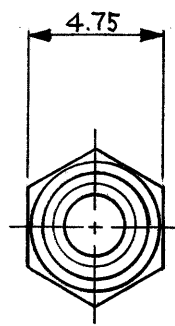
Email & Skype: info@chipsmall.com Web: www.chipsmall.com

Address: A1208, Overseas Decoration Building, #122 Zhenhua RD., Futian, Shenzhen, China





番号 (NUMBER)
174888



x-11L 並目ねじ M3
METRIC COARSE SCREW THREAD
TO BE M3

ユニファイ 並目ねじ #4-40 UNC
UNIFIED COARSE SCREW THREAD
TO BE #4-40 UNC

12.0	174888-3
15.0	174888-2
7.92	174888-1
A	P/N

単位: 純 DIMENSIONS IN MM. DO NOT SCALE PRINT

© 19 年 日本エー・エム・ピー株式会社
AMP社の諸製品は特許又は特許出願中

© 19 BY AMP (Japan) Ltd. ALL RIGHTS RESERVED. AMP PRODUCTS COVERED BY PATENTS AND/OR PATENTS PENDING

絶縁電線断面積 (WIRE RANGE): mm² (AWG)

尺度 (SCALE): NST 一般公差

10以下	±0.2
10を超え 30以下	±0.25
30を超え 100以下	±0.3
角 度	±3°

被覆外径 (INSULATION DIA.): mm

AMP | 日本エー・エム・ピー株式会社
TOKYO, JAPAN

材料 (MATERIAL): 炭素鋼 CARBON STEEL
仕上 (FINISH): ニッケルメッキ NICKEL PL.

LOC	SIZE	番号 (NO)	REV.
J	A	C-174888	A

DR.	19-FEB-88	DE.	22 FEB 88
H.KANAI		Y. KASHIWA	
CHK.	24 FEB '88	APP.	25 FEB 88
R. NISHIMURA			

名称 (NAME): HDシリーズ用此雄側スクリュウ・ロック
SCREW LOCK FEMALE FOR AMPLIMITE "HD" SERIES