



Chipsmall Limited consists of a professional team with an average of over 10 year of expertise in the distribution of electronic components. Based in Hongkong, we have already established firm and mutual-benefit business relationships with customers from,Europe,America and south Asia,supplying obsolete and hard-to-find components to meet their specific needs.

With the principle of "Quality Parts,Customers Priority,Honest Operation,and Considerate Service",our business mainly focus on the distribution of electronic components. Line cards we deal with include Microchip,ALPS,ROHM,Xilinx,Pulse,ON,Everlight and Freescale. Main products comprise IC,Modules,Potentiometer,IC Socket,Relay,Connector.Our parts cover such applications as commercial,industrial, and automotives areas.

We are looking forward to setting up business relationship with you and hope to provide you with the best service and solution. Let us make a better world for our industry!



Contact us

Tel: +86-755-8981 8866 Fax: +86-755-8427 6832

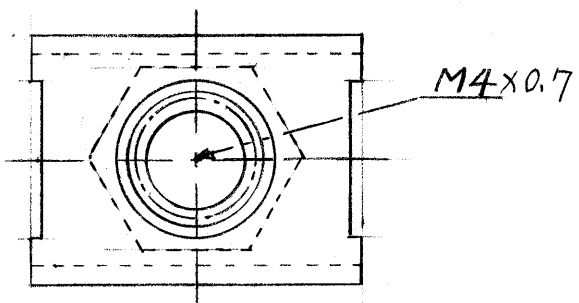
Email & Skype: info@chipsmall.com Web: www.chipsmall.com

Address: A1208, Overseas Decoration Building, #122 Zhenhua RD., Futian, Shenzhen, China

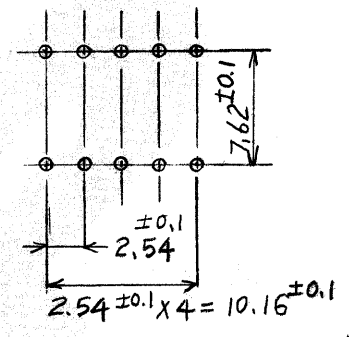
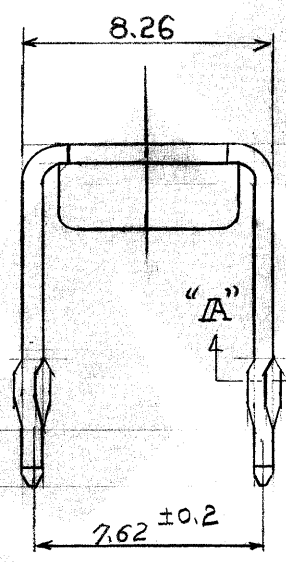
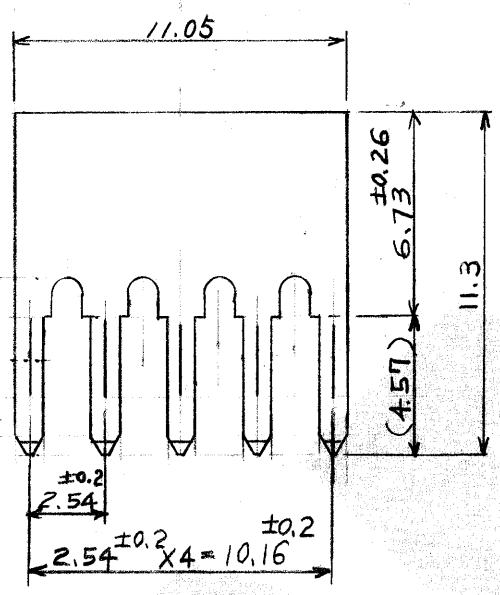




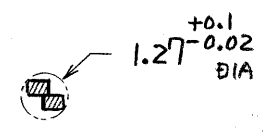
C-174906
番号 (NUMBER)



-1: 本図
AS SHOWN



△推奨基板寸法 (厚寸)
RECOMMENDED P. C. BOARD
DIMENSIONS (THK 1.6~2.4)



断面 "A" - "A"
SECTION

注記 (NOTES)

- △材料 ; コンタクト... 銅合金 725 ナット... スチール
MATERIAL ; CONTACT ... COPPER ALLOY 725 NUT ... STEEL
- △仕上 ; コンタクト... ニッケル下地 1.27μMIN以上 金フラッシュめっき
ナット... 光沢亜鉛めっき
FINISH : CONTACT ... GOLD FLASH PLATING OVER Ni 1.27μm MIN.
NUT ... BRIGHT ZINC PLATING

3. 製品規格 : 108-5279-1
PRODUCT SPEC No : 108-5279-1

△スルーホール仕様 ; ドリル穴径 : 1.1 ± 0.05, 仕上り穴径 : 0.95 ± 0.09, 銅めっき厚 : 25 ~ 75μm
THRU-HOLE SPEC ; DRILLED HOLE DIA : 1.1 ± 0.05, FINISHED HOLE DIA : 0.95 ± 0.09
COPPER PLATING THICKNESS : 25 ~ 75μm.

5 打ち込み時のバリ許容長さ : 0.3 MAX
BURR NOT TO EXCEED 0.3 MAX AFTER INSTALLING THE TAP

単位 : 概 DIMENSIONS IN MM. DO NOT SCALE PRINT

				© 1987年 日本イー・エム・ピー株式会社 AMP社の諸製品は特許又は特許出願中		© 1987 BY AMP (Japan), Ltd. ALL RIGHTS RESERVED. AMP PRODUCTS COVERED BY PATENTS AND/OR PATENTS PENDING	
C	REVISED (J-10764)	Y.K	K.S	2-15 89	適合電線断面積 (WIRE RANGE) mm ² (AWG)	尺度 (SCALE)	一般公差
B	REVISED (J-10541)	Y.I	K.S	8-4 88	被覆外径 (INSULATION DIA.) mm	4-1	13以下 ±0.2 10を超え 30以下 ±0.25 30を超え 100以下 ±0.3 角 度 ±0.3
A	REVISED (J-10179)	Y.I	K.S	2-15 88	材料 (MATERIAL)	AMP 日本イー・エム・ピー株式会社 TOKYO, JAPAN	
O	RELEASED (J-10138)	Y.I	K.S	11-2 87	仕上 (FINISH)	LOC	SIZE
LTR.	変更 (REVISION RECORD)	DR.	CHK.	DATE		番号 (NO)	REV.
DR.	11-2-87	DE	11-2-87	名称 (NAME)	10極 パワー・テスタツリ ビュー・ジョン・タフ・アッシー		
CHK.	11-4-87	APR	11-2-87	(10 POS POWER DISTRIBUTION TAP ASS'Y)			
				AMP-J 030-1 (JIS) REV. 1-83			