



Chipsmall Limited consists of a professional team with an average of over 10 year of expertise in the distribution of electronic components. Based in Hongkong, we have already established firm and mutual-benefit business relationships with customers from,Europe,America and south Asia,supplying obsolete and hard-to-find components to meet their specific needs.

With the principle of “Quality Parts,Customers Priority,Honest Operation,and Considerate Service”,our business mainly focus on the distribution of electronic components. Line cards we deal with include Microchip,ALPS,ROHM,Xilinx,Pulse,ON,Everlight and Freescale. Main products comprise IC,Modules,Potentiometer,IC Socket,Relay,Connector.Our parts cover such applications as commercial,industrial, and automotives areas.

We are looking forward to setting up business relationship with you and hope to provide you with the best service and solution. Let us make a better world for our industry!



## Contact us

Tel: +86-755-8981 8866 Fax: +86-755-8427 6832

Email & Skype: info@chipsmall.com Web: www.chipsmall.com

Address: A1208, Overseas Decoration Building, #122 Zhenhua RD., Futian, Shenzhen, China



# WATER-TIGHT Incandescent Indicators

with RETAINED O-RING SEALS – TWO TERMINALS - FULLY INSULATED

WATER-TIGHT, OIL-TIGHT, DUST-TIGHT ON THE FACE OF THE PANEL

For mounting in 15/32" clearance hole



T-1 3/4  
MIDGET  
FLANGE BASE

See lamp ratings  
on page J.

MEET OR EXCEED ENVIRONMENTAL AND OPERATIONAL REQUIREMENTS  
OF MIL-L-6723 AND MIL-L-3661B

Assemblies with Mechanical Dimmer Caps provide adjustable intensity of light emission: Rotatable shutters decrease the size of 3 triangular openings from maximum light to complete blackout. In "complete blackout" no light is emitted. In "semi-blackout," the shutters have a small permanent central opening which permits a spot of light to reach the lens. This prevents missing a danger signal when the shutters are inadvertently closed.

## MATERIALS AND FINISHES

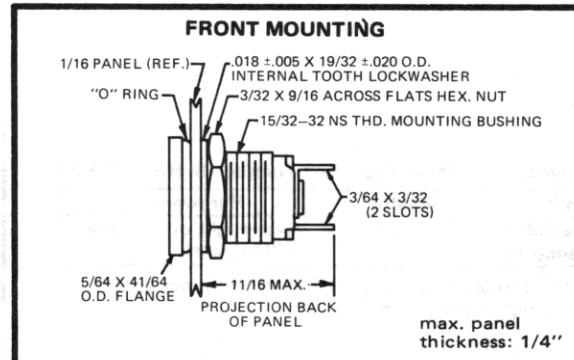
- Mounting Bushing: Brass, black nickel finish.
- Mounting Nut: Brass, white nickel finish.
- Internal-tooth Lockwasher: Phosphor bronze, white nickel finish.
- Terminals: Brass, hot tinned with elongated slot.

## DIMMER TYPE



174-8430-0111-203  
175-8430-0111-203

174 SERIES  
175 SERIES



BASE PART NUMBERS

101-8430-09-203

CAP PART NUMBERS	COMPLETE ASSEMBLY PART NUMBERS
<p><b>CONVEX</b> <b>Mech. Dimmer—</b> <b>Complete Blackout</b> 174-0131-203 unfrosted</p>	174-8430-0131-203
174-0111-203 back frosted	174-8430-0111-203
<p><b>Mech. Dimmer—</b> <b>Semi Blackout</b> 175-0131-203 unfrosted</p>	175-8430-0131-203
175-0111-203 back frosted	175-8430-0111-203

Part numbers listed in this catalog designate products with RED lens. For ordering lens colors other than red, consult chart on page 4C.

Part numbers shown in gray are normally in inventory at your Dialight Distributor.

Order complete with lamp to be assured of receiving the indicator light and correct lamp together for immediate use.