



Chipsmall Limited consists of a professional team with an average of over 10 year of expertise in the distribution of electronic components. Based in Hongkong, we have already established firm and mutual-benefit business relationships with customers from,Europe,America and south Asia,supplying obsolete and hard-to-find components to meet their specific needs.

With the principle of “Quality Parts,Customers Priority,Honest Operation,and Considerate Service”,our business mainly focus on the distribution of electronic components. Line cards we deal with include Microchip,ALPS,ROHM,Xilinx,Pulse,ON,Everlight and Freescale. Main products comprise IC,Modules,Potentiometer,IC Socket,Relay,Connector.Our parts cover such applications as commercial,industrial, and automotives areas.

We are looking forward to setting up business relationship with you and hope to provide you with the best service and solution. Let us make a better world for our industry!



Contact us

Tel: +86-755-8981 8866 Fax: +86-755-8427 6832

Email & Skype: info@chipsmall.com Web: www.chipsmall.com

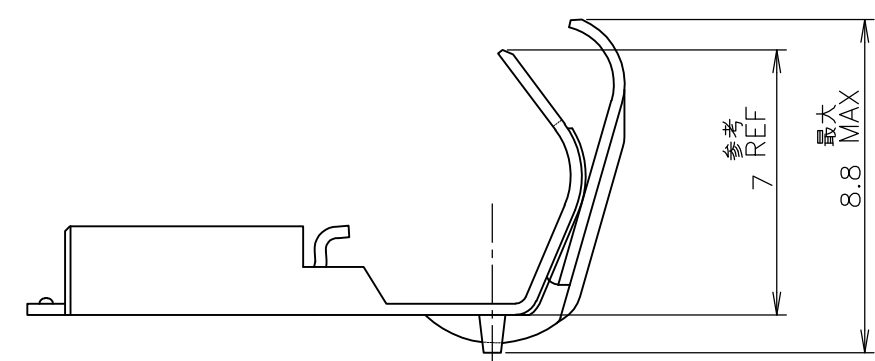
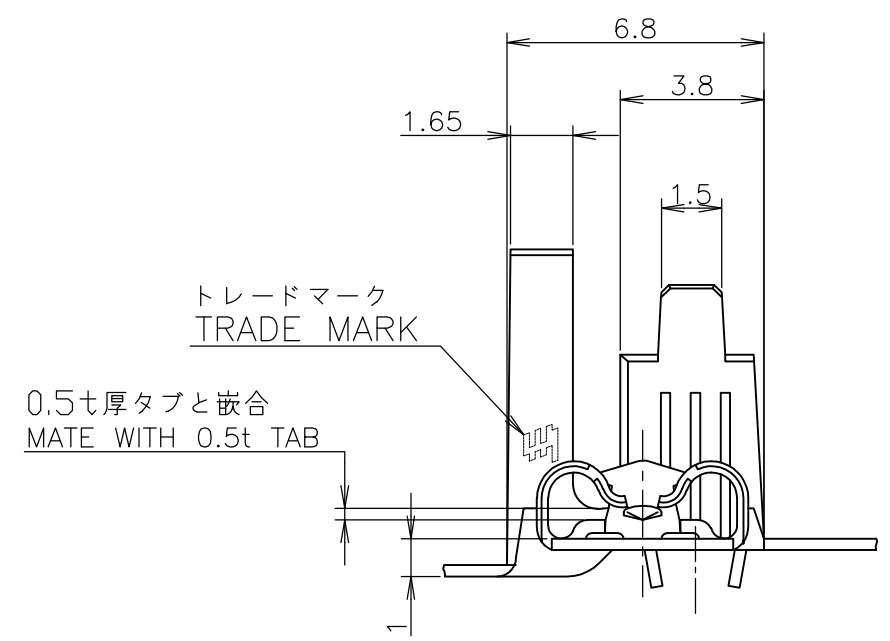
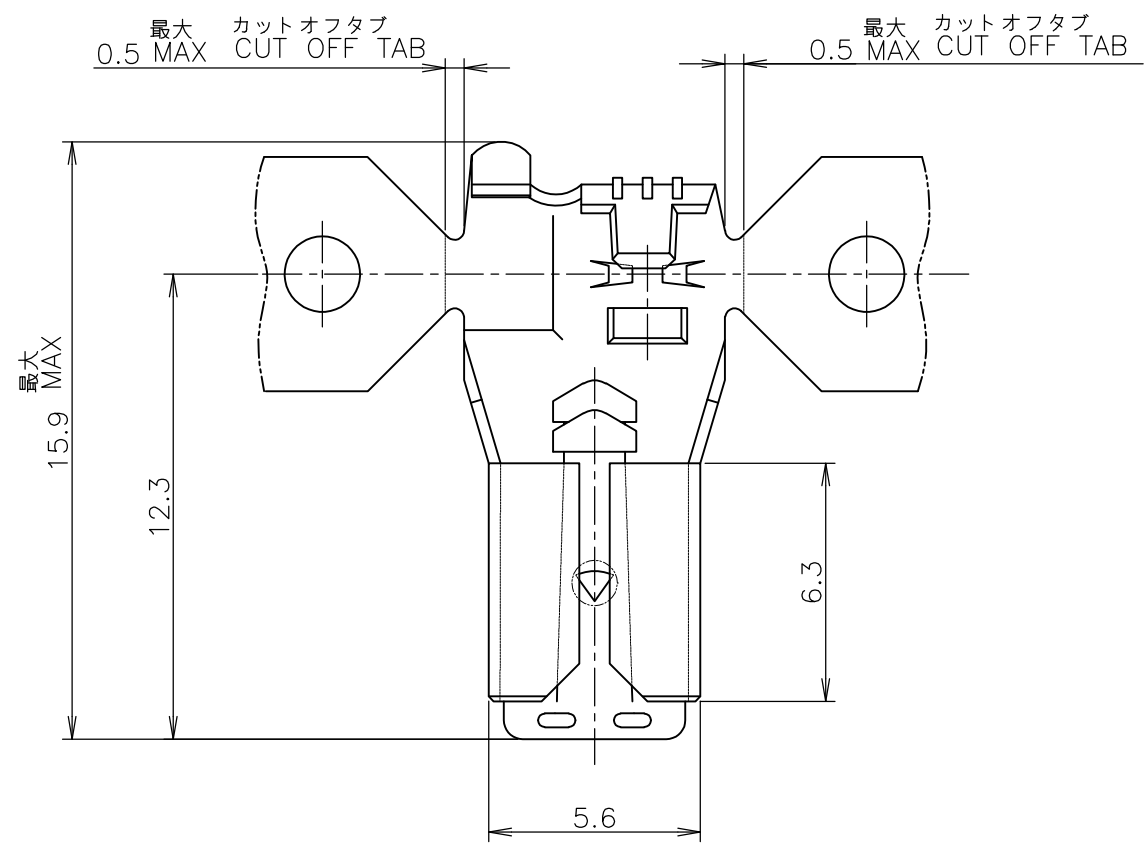
Address: A1208, Overseas Decoration Building, #122 Zhenhua RD., Futian, Shenzhen, China



THIS DRAWING IS UNPUBLISHED. RELEASED FOR PUBLICATION JUL ,1999.
 © COPYRIGHT 1999 By - ALL RIGHTS RESERVED.

LOC	DIST	REVISIONS 変更			
P	LTR	DESCRIPTION	DATE	DWN	APVD
J	/	F1	REVISED PER ECO-11-005030	11MAR11	RK HMR

-1; AS SHOWN



- 1 APPLICABLE SLEEVE P/N: 1717269, 178708
- 1 適用スリーブ型番: 1717269, 178708

PRE TIN HIGH HEAT RESISTANCE COPPER ALLOY 0.3t	175019-6
錫めっき済み高耐熱銅合金 0.3t	
PRE TINNED PHOSPHOR BRONZE 0.3t	175019-5
錫めっき済み燐青銅 0.3t	
PRE TINNED BRASS 0.3t	175019-1
錫めっき済み黄銅 0.3t	
MATERIAL 材質	P/N 型番
WIRE RANGE 抱合電線断面積	AWG #22-#16 0.3~1.42 mm ²
INSULATION DIA 被覆外径	1.5~4.32 mm ϕ

THIS DRAWING IS A CONTROLLED DOCUMENT.		DWN	M.SUZUKI	07JUL1999
DIMENSIONS: 単位: 耗 mm		CHK	M.SHINDO	07JUL1999
TOLERANCES UNLESS OTHERWISE SPECIFIED: 一般公差		APVD	M.SHINDO	07JUL1999
0 PLC	±	PRODUCT SPEC	製品規格	108-5250
1 PLC	±	APPLICATION SPEC	取付適用規格	114-5118
2 PLC	±	WEIGHT		
3 PLC	±			
4 PLC	±			
ANGLES	±			
MATERIAL 材料	表参照 SEE TABLE	FINISH 仕上		

GENERAL TOLERANCE 一般公差	
10 ≥	±0.2
30 ≥ > 10	±0.25
100 ≥ > 30	±0.3
ANGLES:	±3°

STE TE Connectivity		NAME 名称		187 SERIES FLAG POSITIVE LOCK-EX REC. 187 シリーズ・旗型・ポジティブロック EX リセブタクル	
		SIZE	CAGE CODE	DRAWING NO 番号	RESTRICTED TO
CUSTOMER DRAWING		A3	00779	G-175019	-
SCALE 尺度		5:1	SHEET 1 OF 1	REV F1	