



Chipsmall Limited consists of a professional team with an average of over 10 year of expertise in the distribution of electronic components. Based in Hongkong, we have already established firm and mutual-benefit business relationships with customers from,Europe,America and south Asia,supplying obsolete and hard-to-find components to meet their specific needs.

With the principle of "Quality Parts,Customers Priority,Honest Operation,and Considerate Service",our business mainly focus on the distribution of electronic components. Line cards we deal with include Microchip,ALPS,ROHM,Xilinx,Pulse,ON,Everlight and Freescale. Main products comprise IC,Modules,Potentiometer,IC Socket,Relay,Connector.Our parts cover such applications as commercial,industrial, and automotives areas.

We are looking forward to setting up business relationship with you and hope to provide you with the best service and solution. Let us make a better world for our industry!



Contact us

Tel: +86-755-8981 8866 Fax: +86-755-8427 6832

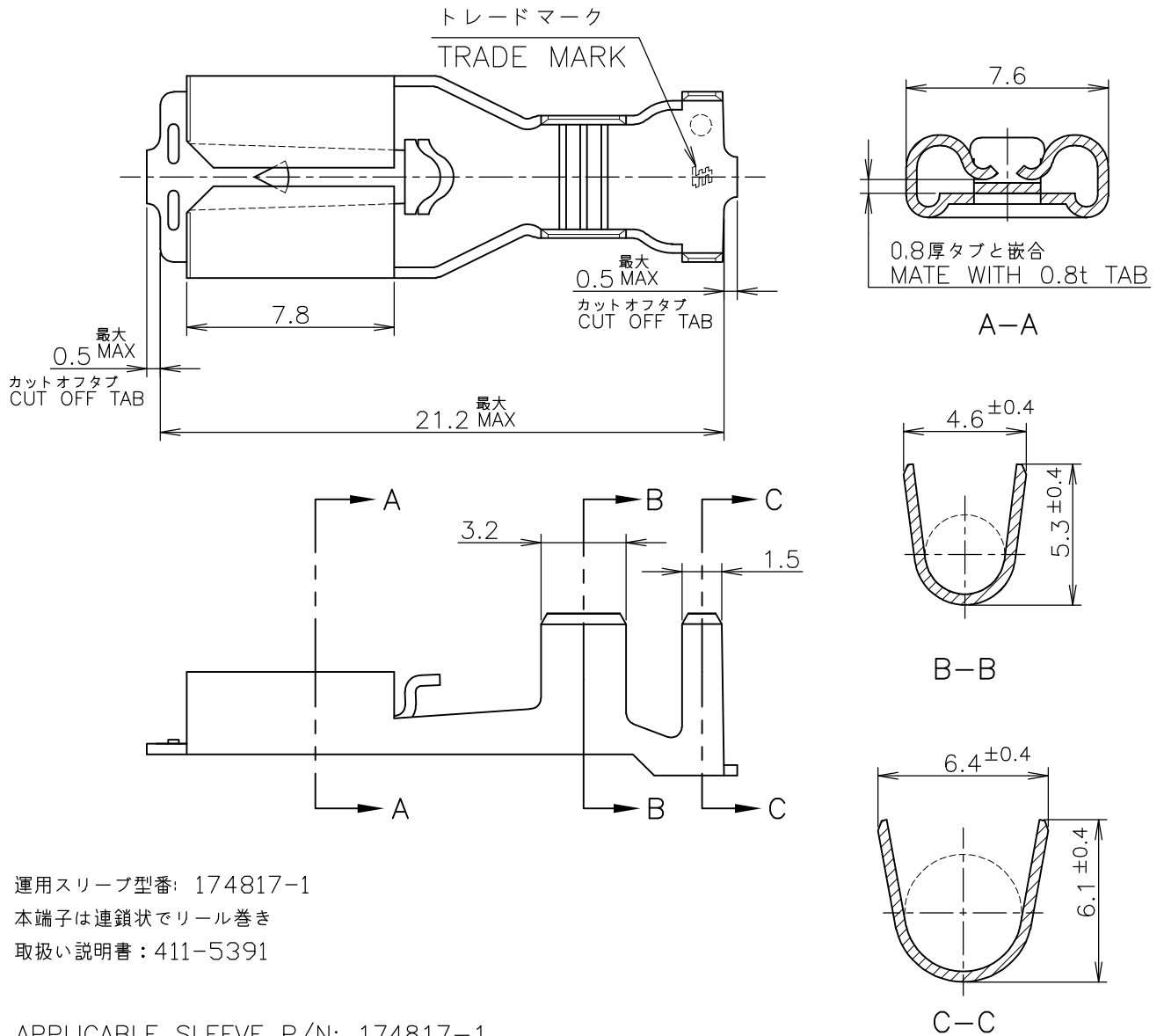
Email & Skype: info@chipsmall.com Web: www.chipsmall.com

Address: A1208, Overseas Decoration Building, #122 Zhenhua RD., Futian, Shenzhen, China



LOC J	DIST /	REVISIONS 変更			DATE	DWN	APVD
		P	LTR	DESCRIPTION			
			C	REDRAWN AND REVISED ECR-10-023816	26NOV2010	T.T	T.M

-1; AS SHOWN



- 1 運用スリーブ型番: 174817-1
- 2 本端子は連鎖状でリール巻き
- 3 取扱い説明書: 411-5391

- 1 APPLICABLE SLEEVE P/N: 174817-1
- 2 CONTINUOUS STRIP ON REELS
- 3 INSTRUCTION SHEET NO: 411-5391

-	PRE TINNED BRASS 錫めっき付 黄銅 0.4t	175024-1
LOOSE PIECE NO. ばら状端子型番	MATERIAL 材料	P/N 型番

WIRE RANGE 包合電線断面積	AWG #15-#10 1.75~5.2 mm ²	INSULATION DIA 被覆外径	3.0~5.1 mmφ
-----------------------	---	------------------------	-------------

DIMENSIONS: 単位: 耗 mm	DWN M.SUZUKI	11MAY1999	MATERIAL 材料	表参照	FINISH 仕上	SEE TABLE
	CHK M.SHINDO	12MAY1999	Tyco Electronics Corporation Kawasaki, Japan			
TOLERANCES UNLESS OTHERWISE SPECIFIED: 一般公差	APVD M.SHINDO	12MAY1999				
0 PLC ±	PRODUCT SPEC 製品規格		NAME 名称			
1 PLC ± 10 ≥: ±0.2	108-5251		250 SERIES POSITIVE LOCK-EX REC.			
2 PLC ± 30 ≥ > 10: ±0.25	APPLICATION SPEC 取付適用規格		250 シリーズ ポジティブロッカーEX リセブタクル			
3 PLC ± 100 ≥ > 30: ±0.3	114-5119		SIZE	CAGE CODE	DRAWING NO 番号	RESTRICTED TO
4 PLC ±	WEIGHT		A4	00779	C-175024	
ANGLES ± 3°	CUSTOMER DRAWING		SCALE 尺度	4:1	SHEET 1 OF 1	REV C

RELEASED FOR PUBLICATION
MAY 1, 1999.

ALL INTERNATIONAL RIGHTS RESERVED.

THIS DRAWING IS UNPUBLISHED.

BY TYCO ELECTRONICS CORPORATION.

© COPYRIGHT 1999