



Chipsmall Limited consists of a professional team with an average of over 10 year of expertise in the distribution of electronic components. Based in Hongkong, we have already established firm and mutual-benefit business relationships with customers from,Europe,America and south Asia,supplying obsolete and hard-to-find components to meet their specific needs.

With the principle of “Quality Parts,Customers Priority,Honest Operation,and Considerate Service”,our business mainly focus on the distribution of electronic components. Line cards we deal with include Microchip,ALPS,ROHM,Xilinx,Pulse,ON,Everlight and Freescale. Main products comprise IC,Modules,Potentiometer,IC Socket,Relay,Connector.Our parts cover such applications as commercial,industrial, and automotives areas.

We are looking forward to setting up business relationship with you and hope to provide you with the best service and solution. Let us make a better world for our industry!



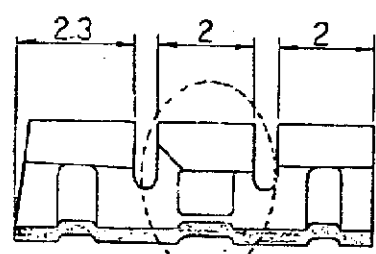
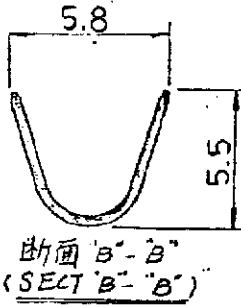
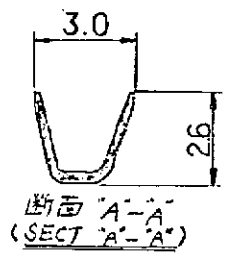
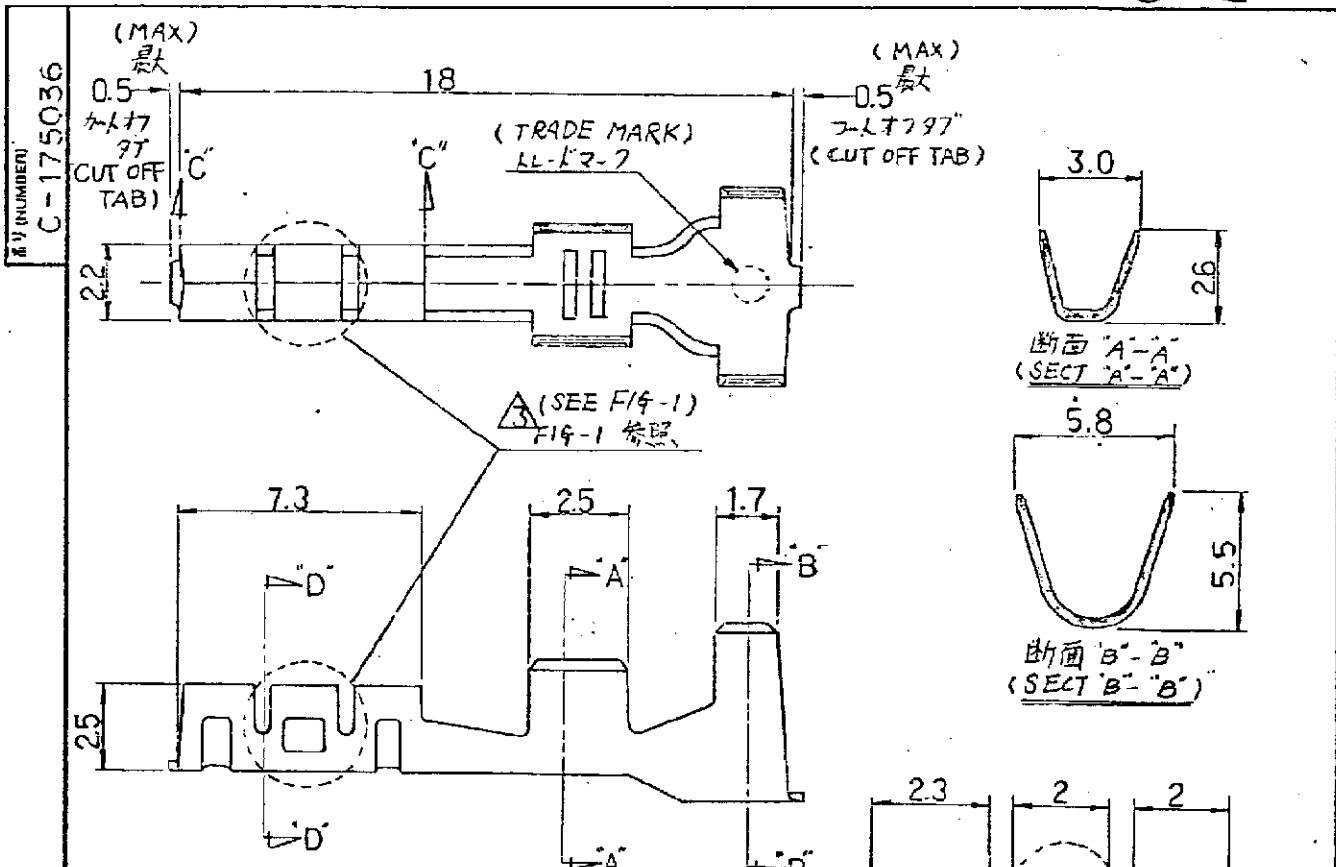
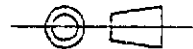
## Contact us

Tel: +86-755-8981 8866 Fax: +86-755-8427 6832

Email & Skype: info@chipsmall.com Web: www.chipsmall.com

Address: A1208, Overseas Decoration Building, #122 Zhenhua RD., Futian, Shenzhen, China



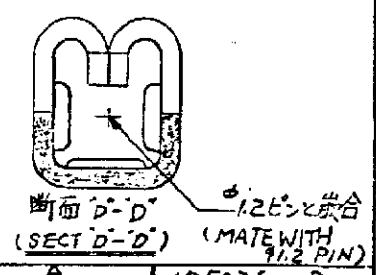
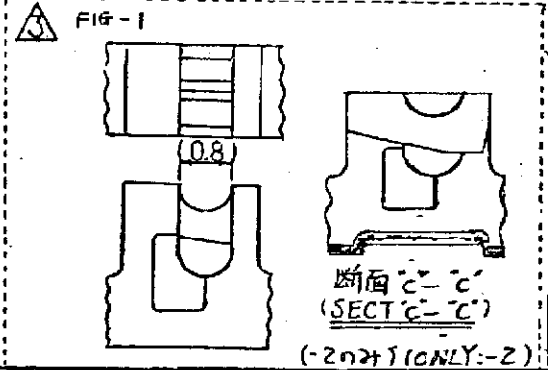
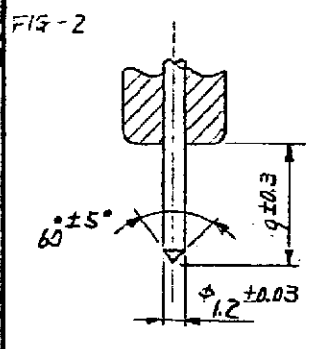


- 注:
1. コンタクト材料:  
ステンレススチ-1703<sup>2</sup>(NSS305M1)
  2. 適用点火プラグは下図寸法のものを使用の事 (FIG-2 参照)
- △ 175036-2 の嵌合部形状 (FIG-1 参照)

- NOTES:
1. CONTACT MATERIAL;  
SUS 0.3<sup>2</sup>(NSS 305M1)
  2. APPLICABLE SPARK PLUG MUST BE DIMENSION OF FIG-2.
- △ CONTACT SHAPE FOR 175036-2. (SEE FIG-1)

SPT 7. 93

全寸: 1/16 DIMENSIONS IN MM. DO NOT SCALE PRINT



△	175036 - 2
—	175036 - 1
△	(REMARK) 参考 (P/N)

© 19... BY AMP (Japan), Ltd. ALL RIGHTS RESERVED. AMP PRODUCTS COVERED BY PATENTS AND/OR PATENTS PENDING

線径範囲 (WIRE RANGE): 0.3 ~ 0.87 mm (AWG 22-13)	尺規スケール (SCALE): — 1:2.5 (10x 0.1, 10x 0.25, 20x 0.1, 100x 0.1)
線径 (INSULATION DIA.): J.0 ~ 5.0 mm	AMP   株式会社 AMP
注 1 参照 (SEE NOTE 1)	TOKYO, JAPAN
仕上 (FINISH): —	LOC. SIZE # (NO): JA C-175036
社名 (NAME): IGNITION PLUG CONTACT (FOR 9.2)	REV.: A

変更 (REVISION RECORD)	DR	CHK	DATE
A   変更 FJ#-0834-93 12.4 1987/12/23			
O   作図 J-10110 4.8 1987/12/23			
DR 1/12/87 DE			
CHK 1/12/87 APP			